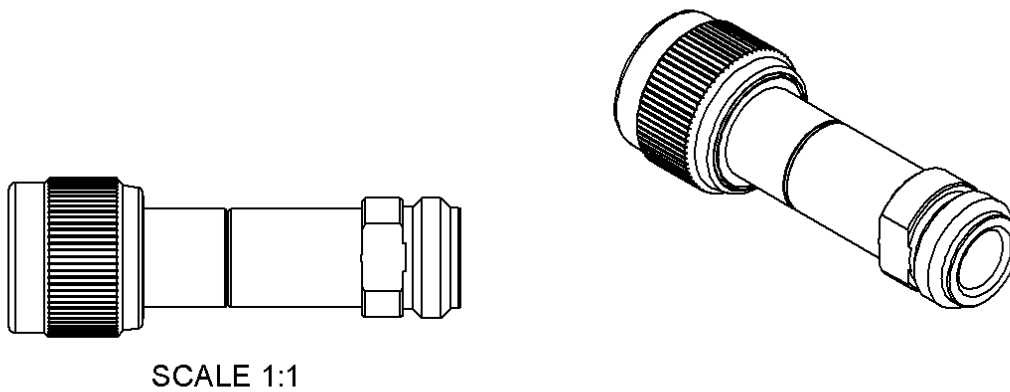
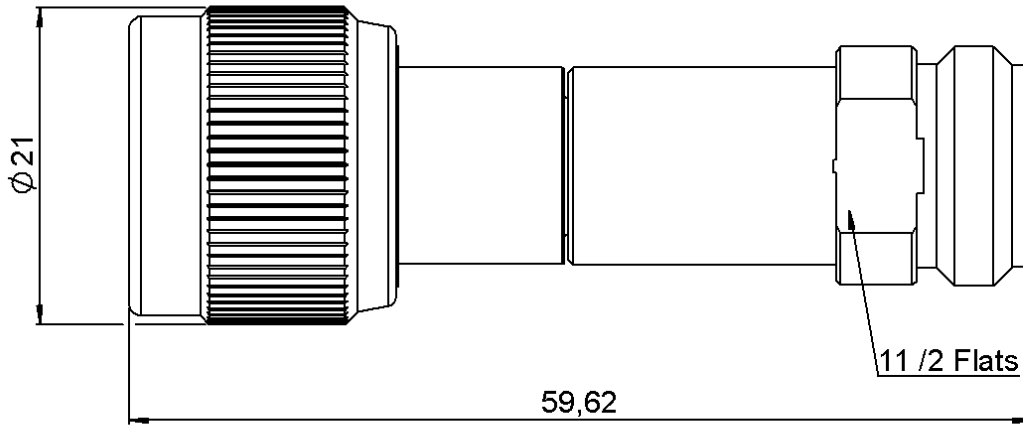


N ATTENUATOR
30 DB 12.4 GHZ 2W

R414.730.000
Series : **ATTENUATOR**



SCALE 1:1

All dimensions are in mm.



| COMPONENTS | MATERIALS | PLATING(µm) |
|-----------------------|---------------------|---------------------|
| BODY | LAITON | NICKEL 5 |
| MALE CENTER CONTACT | CUPRO BERYLLIUM | OR 2.5 SUR NICKEL 1 |
| FEMALE CENTER CONTACT | CUPRO BERYLLIUM | OR 2.5 SUR NICKEL 1 |
| OUTER CONTACT | | |
| INSULATOR | PTFE | |
| GASKET | ELASTOMERE SILICONE | |
| SUBSTRATE | ALUMINE | |
| RESISTOR | Couche mince | |
| OTHERS PARTS | | |

Issue : 0815 V

In the effort to improve our products, we reserve the right to make changes judged to be necessary.



N ATTENUATOR
30 DB 12.4 GHZ 2W

R414.730.000
Series : ATTENUATOR

ELECTRICAL CHARACTERISTICS

| | | | |
|-----------------|--------|-------|----------|
| Frequency (GHz) | DC - 4 | 4 - 8 | 8 - 12.4 |
| V.S.W.R (≤) | 1.15 | 1.20 | 1.25 |
| Deviation(±dB) | 0.80 | 0.80 | 1.20 |

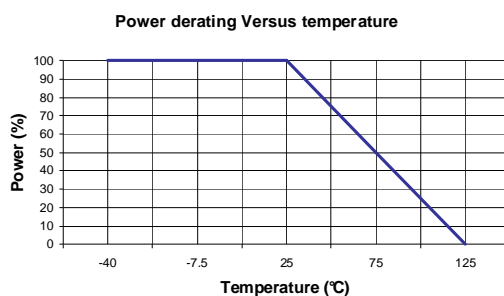
| | | |
|------------------------------|-----------|-----------------------|
| Operating Frequency Range | DC - 12.4 | GHz |
| Impedance | 50 | Ω |
| Nominal Attenuation | 30 | dB |
| Peak power at 25°C (1μs, 1%) | 100 | W |
| Average power at 25°C | 2 | W (Free Air Cooled) |
| | | W (Conduction Cooled) |

MECHANICAL CHARACTERISTICS

| | | | |
|------------|-----------|-------------|-------------|
| Connectors | N | Male Female | MIL-C 39012 |
| Weight | 70,3300 g | | |

ENVIRONMENTAL CHARACTERISTICS

| | |
|-----------------------------|--------------|
| Operating temperature range | -55 /+125 °C |
| Storage temperature range | -55 /+125 °C |



SPECIFICATION

OTHER CHARACTERISTICS

Issue : 0815 V

In the effort to improve our products, we reserve the right to make changes judged to be necessary.

