

Ultraminiature Automotive PCB Power Relay **PC565**



**FEATURES**

- Ultraminiature design very light weight
- Sensitive Coil (low pull in voltage) available
- Contact switching capacity up to 30 Amps
- Sealed, immersion cleanable
- Up to 105 degrees C operating temperature

**CONTACT RATINGS**

<b>Contact Form</b>	<b>1 Form A or 1 Form C SPST NO or SPDT</b>
<b>Max Switching Current</b>	30 Amps
<b>Motor Locked Rotor</b>	25 Amps at 14 VDC
<b>Max. Switching Voltage</b>	16 VDC
<b>Max. Continuous Current</b>	25 Amps
<b>Max. Switching Power</b>	480 W

**CONTACT DATA**

<b>Material</b>	AgSnO (Silver Tin Oxide)	
<b>Initial Contact Resistance</b>	100 milliohms max @ 0.1A, 6VDC	
<b>Service Life</b>	<b>Mechanical</b>	1 X 10 <sup>6</sup> Operations
	<b>Electrical</b>	1 X 10 <sup>5</sup> Operations

**CHARACTERISTICS**

<b>Operate Time</b>	2.5 ms. typical (no coil suppression)
<b>Release Time</b>	1.2 ms. typical (no coil suppression)
<b>Insulation Resistance</b>	100 megohms min, at 500VDC, 50%RH
<b>Dielectric Strength</b>	1000 Vrms, 1 min. between coil and contacts
<b>Shock Resistance</b>	30 g, 6 ms, functional; 100 g, destructive
<b>Vibration Resistance</b>	6g, 10 - 500 Hz
<b>Drop Resistance</b>	1 Meter height drop on concrete
<b>Power Consumption</b>	0.64 W and 0.80 W
<b>Ambient Temperature Range</b>	-40 to 85 degrees C or -40 to 105 degrees C operating
<b>Weight</b>	4.1 grams approx.

**ORDERING INFORMATION**

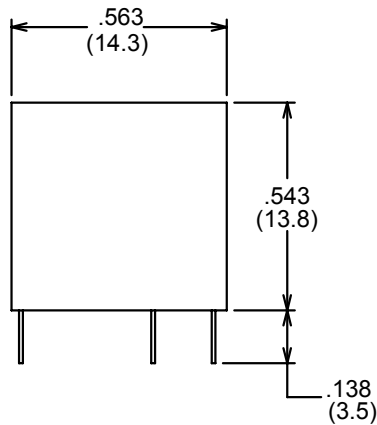
Example:	PC565-	012-	1C-	H-	F
Model					
Coil Voltage Code					
Contact Form					
1A or 1C					
Coil Power					
Nil: 0.64 W; H: Sensitive 0.80 W					
Ambient Temperature Rating					
Nil: 85 Degrees C; F: 105 Degrees C					

**COIL DATA**

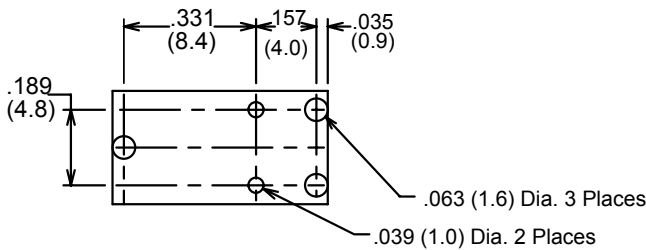
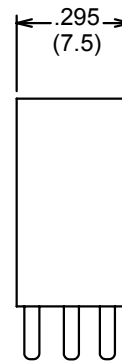
Coil Voltage Code	Resistance ohms $\pm 10\%$	Must Operate Voltage Max. (VDC)	Must Release Voltage Min. (VDC)	Coil Power Consumption (W)
012	225	7.2	1.0	0.64
012 (H)	180	6.5	1.0	0.80

**Dimensions in Inches (millimeters)  
Drawings are 2X actual size**

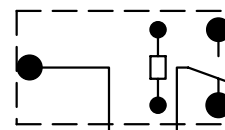
**Side View**



**End View**



**Bottom View  
PC Board Layout**



**Bottom View  
Wiring Diagram**

Notes:  
Contact Form C shown  
On Contact Form A Unused Pin is Omitted  
Tolerances  $\pm .010$  unless otherwise noted



3220 Commander Drive, Suite 102, Carrollton, Texas 75006

Sales: Call Toll Free (888) 997-3933 Fax (818) 342-5296 email: pickerwest@sbcglobal.net URL: pickercomponents.com