

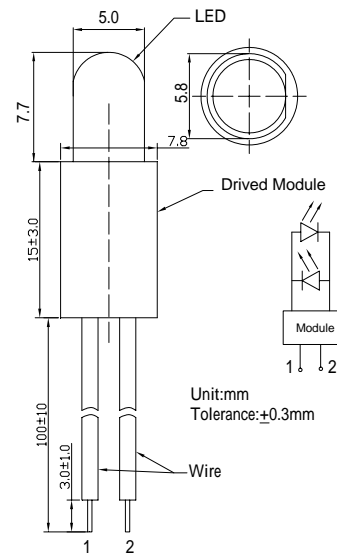
Features

- High Luminous LEDs
- 5mm Round Standard Directivity
- Superior Weather-resistance
- UV Resistant Epoxy
- 220V AC LED
- Water Clear Type

Applications

- Electronic Signs And Signals
- Other Lighting

Outline Dimension

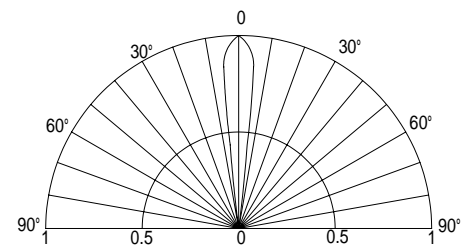


Absolute Maximum Rating

($T_a=25$)

Item	Symbol	Value	Unit
AC Voltage	V_i	230	V
AC Current	I	1	mA
Power Dissipation	P_D	230	mW
Operating Temperature	T_{opr}	-30 ~ +85	
Storage Temperature	T_{stg}	-30 ~ +85	
Lead Soldering Temperature	T_{sol}	260 /5sec	-

Directivity



Electrical -Optical Characteristics

($T_a=25$)

Part Number	Color		I(mA)			I_v (mcd)*			λD (nm)*			201/2(deg)
			Min	Typ.	Max.	Min.	Typ.	Max.	Min.	Typ.	Max.	Typ.
			$V_i=220VAC$			$V_i=220VAC$						
OSWWD25111A-QQW	Cool White	W	0.7	0.9	1.0	1120	1560	2180	X=0.27, Y=0.28			15
OSMMD25111A-QQW	Warm White	M	0.7	0.9	1.0	750	1120	1560	X=0.45, Y=0.41			15
OSBBS25111A-QQW	Blue	B	0.7	0.9	1.0	750	1120	1560	465	470	475	15
OSPPD25111A-QQW	Pure Green	G	0.7	0.9	1.0	1120	1560	2180	520	525	530	15
OSGGJ25111A-QQW	Yellow Green	YG	0.7	0.9	1.0	20	40	50	565	570	575	15
OSYYJ25111A-QQW	Yellow	Y	0.7	0.9	1.0	100	150	220	585	590	595	15
OSOOJ25111A-QQW	Orange	O	0.7	0.9	1.0	150	220	330	600	605	610	15
OSRRJ25111A-QQW	Red	R	0.7	0.9	1.0	100	150	220	620	625	630	15

*1 Tolerance of chromaticity coordinates is $\pm 10\%$, Tolerance of λD is $\pm 1nm$.

*2 Tolerance of luminous intensity is $\pm 15\%$