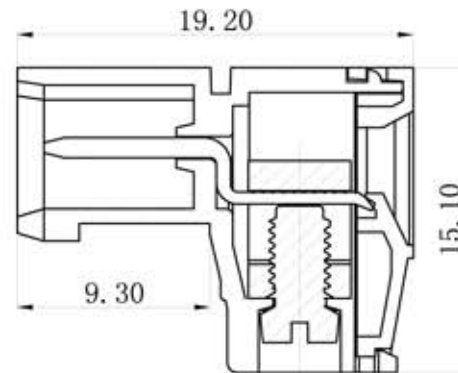
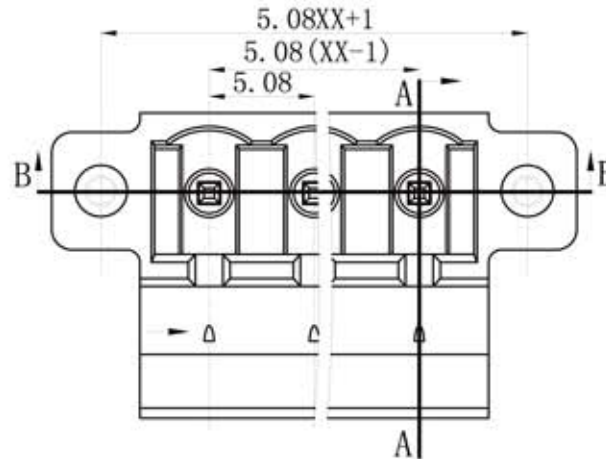
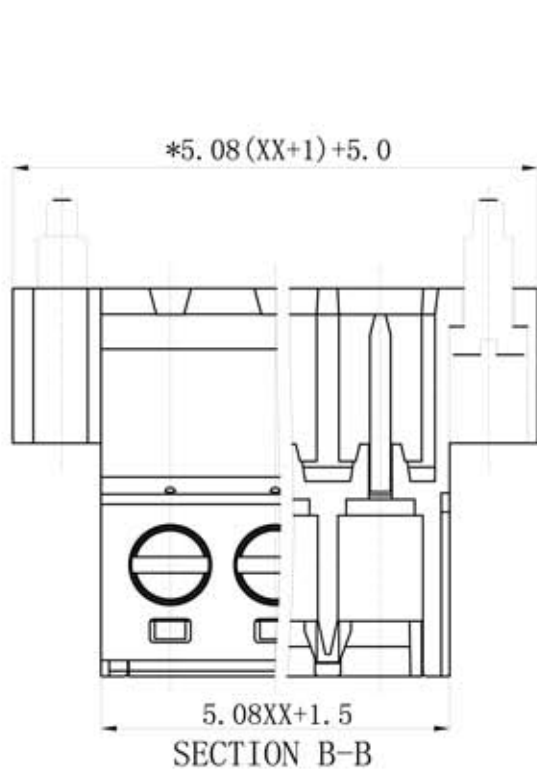


# euro-block

product specification



## Electrical

Standard: UL-IEC  
 Rated voltage: 300V-320V  
 Rated current: 15A-20A  
 Contact resistance: 20m Ω  
 Wire range: 28-14AWG-2.5mm<sup>2</sup>  
 Withstanding voltage: AC2000V/1Min  
 Insulation resistance: 5000M Ω/DC1000V

## Mechanical

Torque: 0.5Nm (4.5Lb'in)  
 Temp.Range: -40°C~+105°C  
 Strip length: 7mm  
 MAX soldering: +250°C for 5 sec

## Dimensions

Pitch: 5.08mm  
 Poles: 2p-xxp

## Material

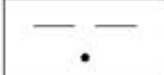

Housing: PA66, UL94V-0  
 Screws: M3.0 steel Zinc plated  
 Pin header: Pin header, Tin plated  
 Clamp: Brass, Ni plated

Schema generale del codice di ordinazione / General description of ordering code

serie	n°poli	passo	versione	colore	custom
CRS	02/24	5.08/10.16	F		

## TOLERANCES EXCEPT AS NOTED

	linear dimension				fillet	chamfer	∠	short angle	sid	≡	—	□	//	⊥			
variable	over	over	over	over	over	over	over	over	over	over	over	over	over	over			
range	to	to	to	to	all	to	to	to	to	all	to	to	to	to			
tolerance	±0.1	±0.2	±0.3	±0.5	±0.9	±0.2	±0.5	±1	1°	30'	20'	10'	0.5	0.025	0.06	0.12	0.4

UNITS	mm	SIZE	A4	SCALE	FIRST ANGLE PROJECTION	
 <b>euro-block</b>						
					NAME	<b>CRS-5.08-F</b>