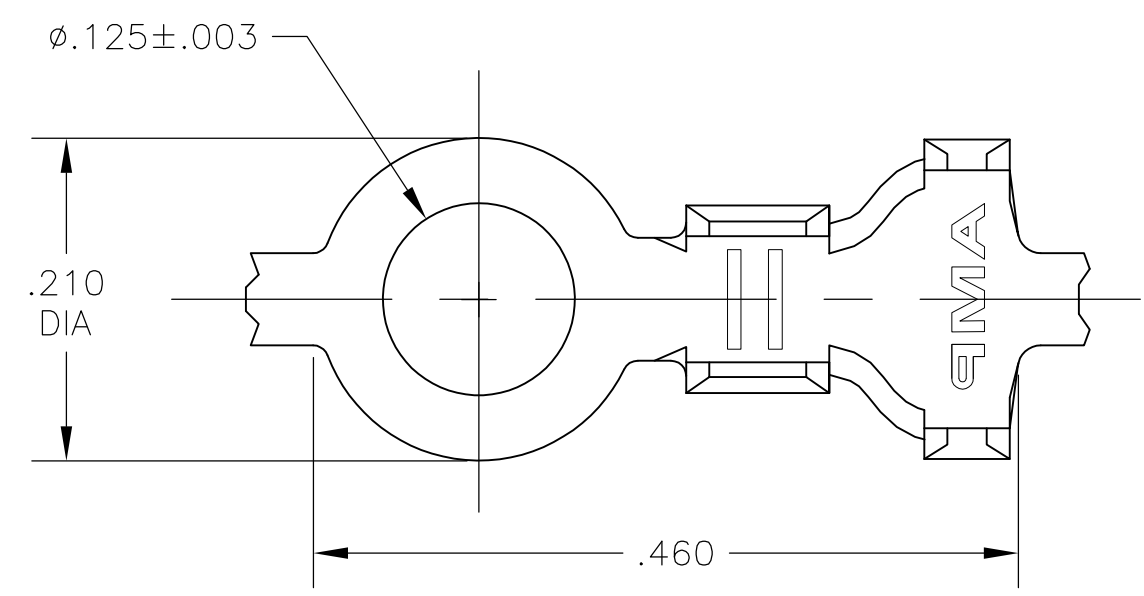
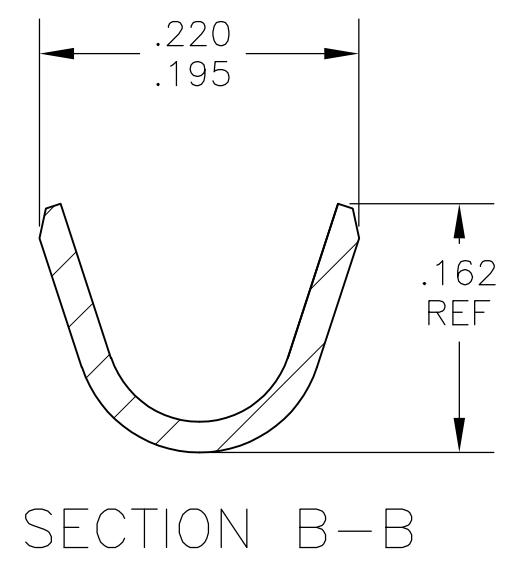
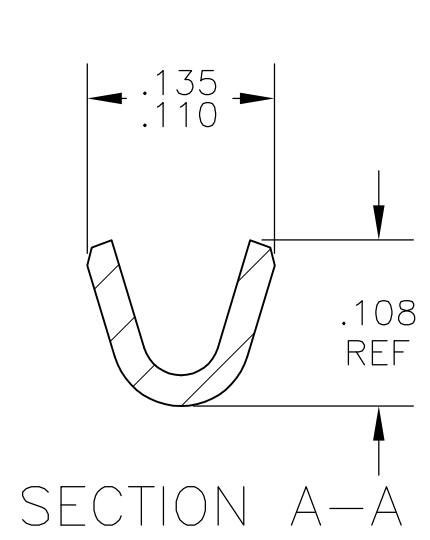
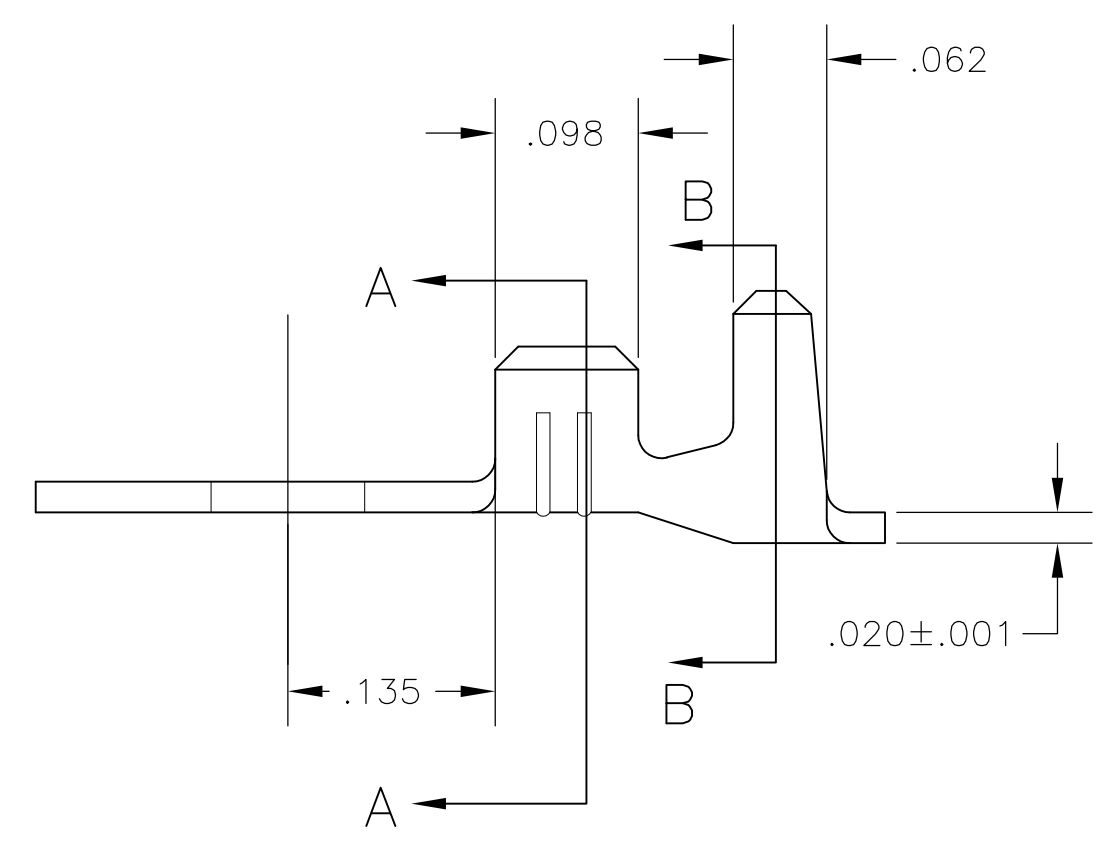


THIS DRAWING IS UNPUBLISHED. RELEASED FOR PUBLICATION
 © COPYRIGHT BY TYCO ELECTRONICS CORPORATION. ALL INTERNATIONAL RIGHTS RESERVED.

LOC	DIST	REVISIONS			
P	LTR	DESCRIPTION	DATE	DWN	APVD
AF	50	C	REVISED PER ECR-08-008189	24NOV08	HMR DD



- 1 CONTINUOUS STRIP ON REELS
- 2 WIRE SIZE IS 22-20 AWG
- 3 INSULATION RANGE IS .070-.120 DIA



62638-1
PART NO

THIS DRAWING IS A CONTROLLED DOCUMENT.		DWN	JR RUTH	19FEB03	Tyco Electronics Corporation Harrisburg, PA 17105-3608		
DIMENSIONS: INCHES		CHK	D DECKER	19FEB03			
		TOLERANCES UNLESS OTHERWISE SPECIFIED:		APVD	RING TONGUE		
MATERIAL		FINISH		PRODUCT SPEC	SIZE		
082 BRASS		TIN		APPLICATION SPEC	CAGE CODE		
				WEIGHT	DRAWING NO		
				A3 00779		G-62638	
				CUSTOMER DRAWING			RESTRICTED TO
				SCALE 8:1			SHEET 1 OF 1
							REV C