

PLEASE CHECK WWW.MOLEX.COM FOR LATEST PART INFORMATION

Part Number: [0197234100](#)
Status: **Active**
Description: VibraKrimp™ Open Barrel Strip Snap Plug Receptacle, With Strain Relief And Dimple

Documents:

[Drawing \(PDF\)](#) [RoHS Certificate of Compliance \(PDF\)](#)

General

Product Family	Quick Disconnects
Series	19723
Comments	Open Barrel
Crimp Quality Equipment	Yes
Product Name	VibraKrimp™
Type	Snap Plug

Physical

Barrel Type	Open
Gender	Female
Glow-Wire Compliant	No
Insulation	None
Lock to Mating Part	None
Material - Metal	Brass
Orientation	Straight
Packaging Type	Reel
Tab Thickness	N/A
Tab Width	N/A
Termination Interface: Style	Crimp or Compression
Wire Insulation Diameter	N/A
Wire Size AWG	14, 16, 18

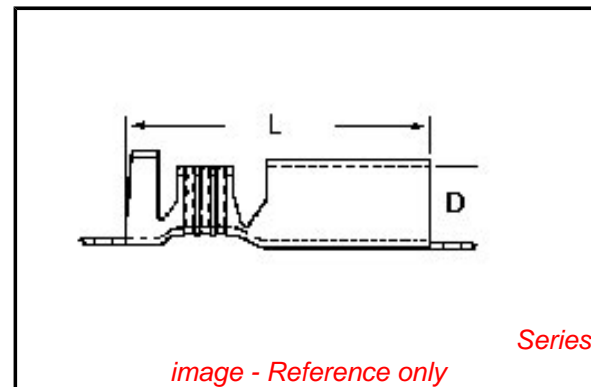
Electrical

Voltage - Maximum	N/A
-------------------	-----

Material Info

Reference - Drawing Numbers

Sales Drawing	SD-19723-002
---------------	--------------



EU RoHS

**ELV and RoHS
Compliant**
**REACH SVHC
Contains SVHC: No**
**Halogen-Free
Status**

China RoHS



**Need more information on product
environmental compliance?**

Email productcompliance@molex.com
 For a multiple part number RoHS Certificate of
 Compliance, [click here](#)

Please visit the [Contact Us](#) section for any
 non-product compliance questions.

Search Parts in this Series

[19723Series](#)

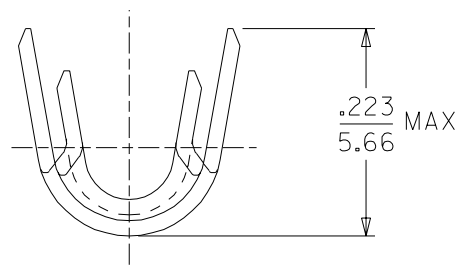
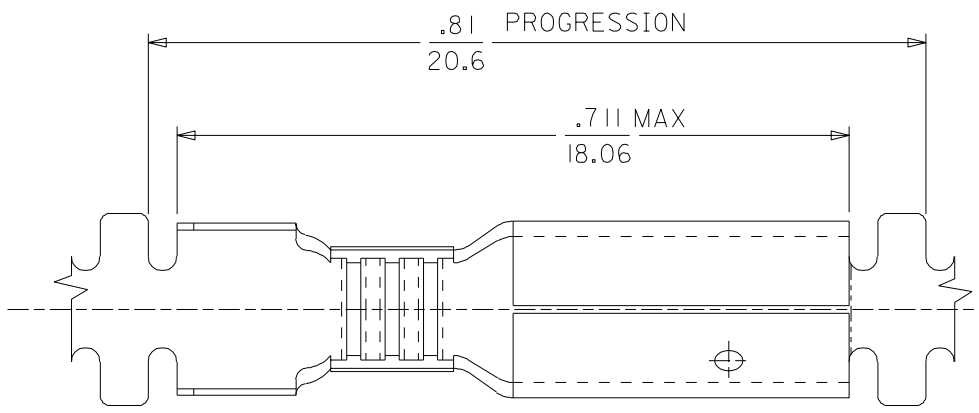
Application Tooling | [FAQ](#)

*Tooling specifications and manuals are
 found by selecting the products below.
 Crimp Height Specifications are then
 contained in the Application Tooling
 Specification document.*

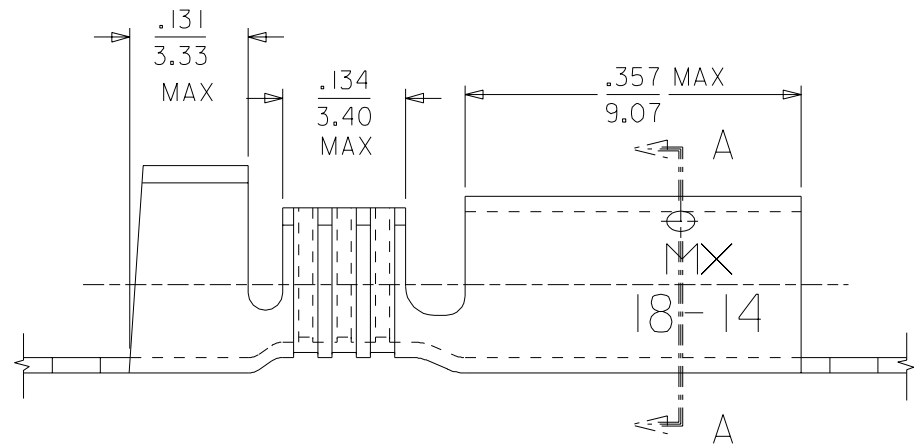
Global

Description	Product #
Rear Feed Mini-Mac Applicator for VibraKrimp™ Snap Male Plug Terminals, 14-18 AWG	0638026600

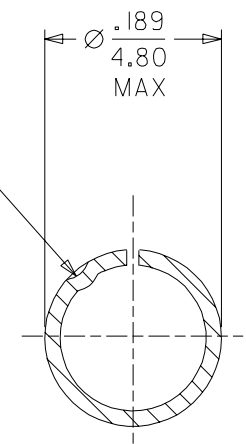
MATERIAL NO.	ENGINEERING NO.	DESCRIPTION	FINISH
197234100	19723-4100	CONTINUOUS STRIP WITH DIMPLE	UNPLATED
197234101	19723-4101	CONTINUOUS STRIP WITHOUT DIMPLE	
197234102	19723-4102	CONTINUOUS STRIP WITH DIMPLE	ELECTRO-TIN
197234103	19723-4103	CONTINUOUS STRIP WITHOUT DIMPLE	



BACKGROUND OMITTED FOR CLARITY



DIMPLE LOCATION OPTIONAL SEE CHART



SECTION A-A
BACKGROUND OMITTED FOR CLARITY

SALES DRAWING

NOTES:
1. MATERIA: BRASS.
2. PLATING: SEE CHART.

NEW RELEASE EC NO. ETC2004-0035 DRWN: BRE 03/08/08 CHK: HEB 03/08/08 APPR: RWD 03/08/08	QUALITY SYMBOLS MAJOR $\nabla=0$ CRITICAL $\triangle=0$	GENERAL TOLERANCES: (UNLESS SPECIFIED) mm INCH 4 PLACES $\pm 0.$ $\pm .$ 3 PLACES $\pm 0.$ $\pm .$ 2 PLACES $\pm 0.$ $\pm .$ 1 PLACE $\pm 0.$ $\pm .$ ANGULAR: $\pm 1/2^\circ$	SCALE 4:1 DESIGN UNITS <input type="checkbox"/> mm <input checked="" type="checkbox"/> INCH	THIRD ANGLE PROJECTION <input checked="" type="checkbox"/> THIRD ANGLE <input type="checkbox"/> FIRST ANGLE DIMENSIONS: <input type="checkbox"/> mm <input checked="" type="checkbox"/> INCH <input type="checkbox"/> mm ONLY	SHT REV REVISE ON CAD ONLY
	DESCRIPTION A	DRAFT WHERE APPLICABLE MUST REMAIN WITHIN DIMENSIONS	DRAWN BY & DATE BRE 03/08/07 CHECKED BY & DATE HEB 03/08/07 APPROVED BY & DATE RWD 03/08/07 CAD FILENAME SD-19723-002 .DWG	TITLE: SNAP PLUG RECEPTACLE .156 DIA VIBRAKRIMP 18-14 AWG CHAIN STAMPED MOLEX INCORPORATED	MATERIAL NO. SEE CHART DRAWING NO. SD-19723-002 SHEET NO. 1 OF 1 SIZE B