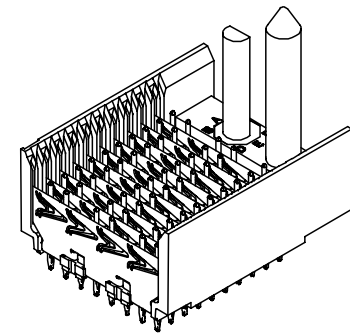
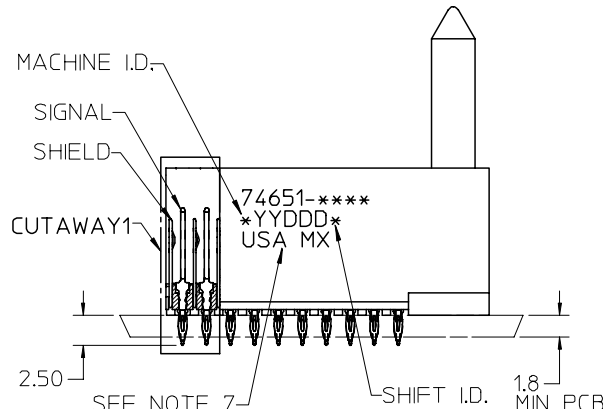
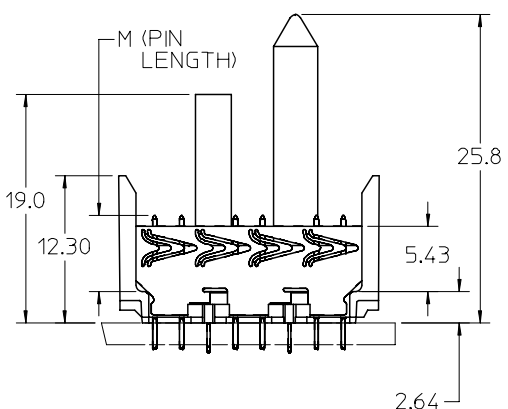


BACKPLANE HOLE PATTERN  
RECOMMENDED DIMENSION

- Ø0.66 DRILL
- Ø0.56 ±0.05 PTH
- Ø1.00 PAD
- ±0.10

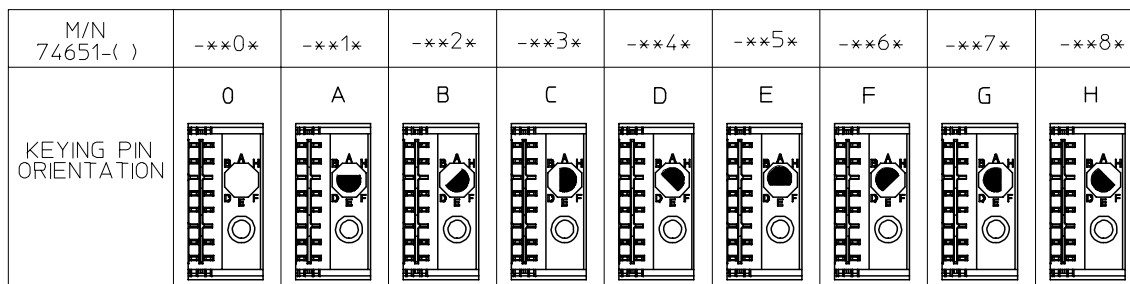


- NOTES:
- MATERIAL: HOUSING -LIQUID CRYSTAL POLYMER (LCP)  
GLASS-FILLED. UL 94-0. COLOR BLACK. SIGNAL & SHIELD -HIGH PERFORMANCE COPPER ALLOY.
  - FINISHES:  
CONTACT AREA: SELECTIVE GOLD (Au)  
PCB TAILS: SELECTIVE TIN/LEAD (Sn/Pb)  
OR SELECTIVE MATTE TIN (Sn)  
NICKEL (Ni) OVERALL.
  - THIS PART CONFORMS TO MOLEX PRODUCT SPECIFICATION PS-74031-999.
  - FOR MIXED CONTACT MATING LENGTHS CONSULT MOLEX FOR AVAILABILITY.
  - FOR SPECIFIC PART NUMBER AND MATING INFORMATION REFER TO SHEET 2.
  - PACKAGE PER PK-74061-003.
  - EITHER MARK PART NUMBER AND DATE CODE APPROXIMATELY WHERE SHOWN OR PLACE LABEL ON THE TUBE.



REVISED - PLATING NOTE EC NO: UCP2006-0051 DRWN:K MULVEY 2005/07/13 CHKD: 2005/07/13 APPR: SREED 2005/07/15	QUALITY SYMBOLS ▽ - 0 ▽ - 0	GENERAL TOLERANCES (UNLESS SPECIFIED)		SCALE 2.5:1	DESIGN UNITS METRIC	THIRD ANGLE PROJECTION	REVISE ON CAD ONLY	
				DIMENSION STYLE MM ONLY		TITLE		
				DRAWN BY DATE		HSD SALES ASSEMBLY 8 ROW ADVANCED MATE SHIELD END BACKPLANE		
				CHECKED BY DATE				
		APPROVED BY DATE		MATERIAL NO.		DOCUMENT NO.		
		DRAFT WHERE APPLICABLE		CBIXLER 2001/05/27		SEE SHEET 2		
		MUST REMAIN WITHIN DIMENSIONS		THIS DRAWING CONTAINS INFORMATION THAT IS PROPRIETARY TO MOLEX INCORPORATED AND SHOULD NOT BE USED WITHOUT WRITTEN PERMISSION		SHEET NO. 1 OF 2		

10 9 8 7 6 5 4 3 2 74651

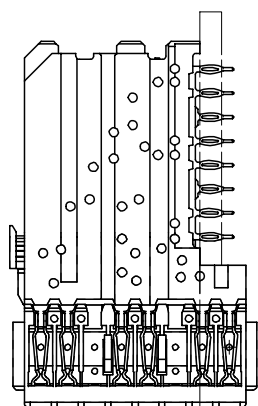
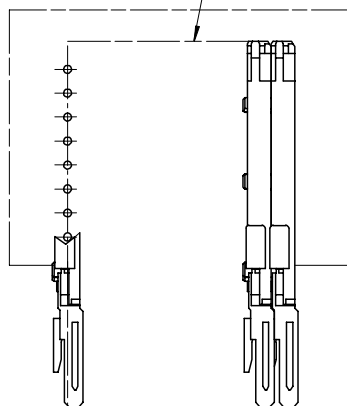


74651-\*\*\*

NUMBER OF COLUMNS/ PLATING CONTACT LOAD (PIN LENGTH)

11 = 10 COLUMN TIN/LEAD	1 & 6 = 4.75
26 = 25 COLUMN TIN/LEAD	2 & 7 = 6.25
91 = 10 COLUMN MATTE TIN	3 & 8 = 4.25
86 = 25 COLUMN MATTE TIN	4 & 9 = 5.15

DAUGHTERCARD CONNECTOR SIDE



PART NUMBER	COLUMN	NUMBER OF SIGNAL PINS	NUMBER OF SHIELDS	A	B	M	Au (um) MIN THICKNESS	Sn (um) THICKNESS
74651-*1*1	10	60	10	27.00	18.00	4.75	0.76	0.76-1.52
74651-*1*6	25	150	25	57.00	48.00		1.27	
74651-*6*1	10	60	10	27.00	18.00	6.25	0.76	
74651-*6*6	25	150	25	57.00	48.00		1.27	
74651-*1*2	10	60	10	27.00	18.00	4.25	0.76	
74651-*1*7	25	150	25	57.00	48.00		1.27	
74651-*6*2	10	60	10	27.00	18.00	5.15	0.76	
74651-*6*7	25	150	25	57.00	48.00		1.27	
74651-*1*3	10	60	10	27.00	18.00	4.75	0.76	
74651-*1*8	25	150	25	57.00	48.00		1.27	
74651-*6*3	10	60	10	27.00	18.00	6.25	0.76	
74651-*6*8	25	150	25	57.00	48.00		1.27	
74651-*1*4	10	60	10	27.00	18.00	5.15	0.76	
74651-*1*9	25	150	25	57.00	48.00		1.27	
74651-*6*4	10	60	10	27.00	18.00	4.75	0.76	
74651-*6*9	25	150	25	57.00	48.00		1.27	

0.41 SIGNAL TO SIGNAL

2.45 TOP DAUGHTERCARD PCB TO CENTER OF ROW A

ROW A

SEE SHEET 1 EC NO: UCP2006-0051 DRW: KMULVEY 2005/07/13 CHKD: 2005/07/13 APPR: SREED 2005/07/15	QUALITY SYMBOLS ▽ 0 ▽ 0	GENERAL TOLERANCES (UNLESS SPECIFIED)		SCALE 2.5:1	DESIGN UNITS METRIC	THIRD ANGLE PROJECTION	REVISE ON CAD ONLY
		mm	INCH	DIMENSION STYLE MM ONLY		TITLE HSD SALES ASSEMBLY 8 ROW ADVANCED MATE SHIELD END BACKPLANE	
REV	DESCRIPTION	4 PLACES ± --- ± ---	3 PLACES ± --- ± ---	DRAWN BY MQWANG	DATE 2001/05/22	MOLEX INCORPORATED	
		2 PLACES ± --- ± ---	1 PLACE ± --- ± ---	CHECKED BY JLAURX	DATE 2001/05/25	MATERIAL NO. SEE TABLE	DOCUMENT NO. SD-74651-003
DRAFT WHERE APPLICABLE MUST REMAIN WITHIN DIMENSIONS		ANGULAR ±1/2°		APPROVED BY CBIXLER	DATE 2001/05/27	SHEET NO. 2 OF 2	
THIS DRAWING CONTAINS INFORMATION THAT IS PROPRIETARY TO MOLEX INCORPORATED AND SHOULD NOT BE USED WITHOUT WRITTEN PERMISSION							

8 7 6 5 4 3 2 1