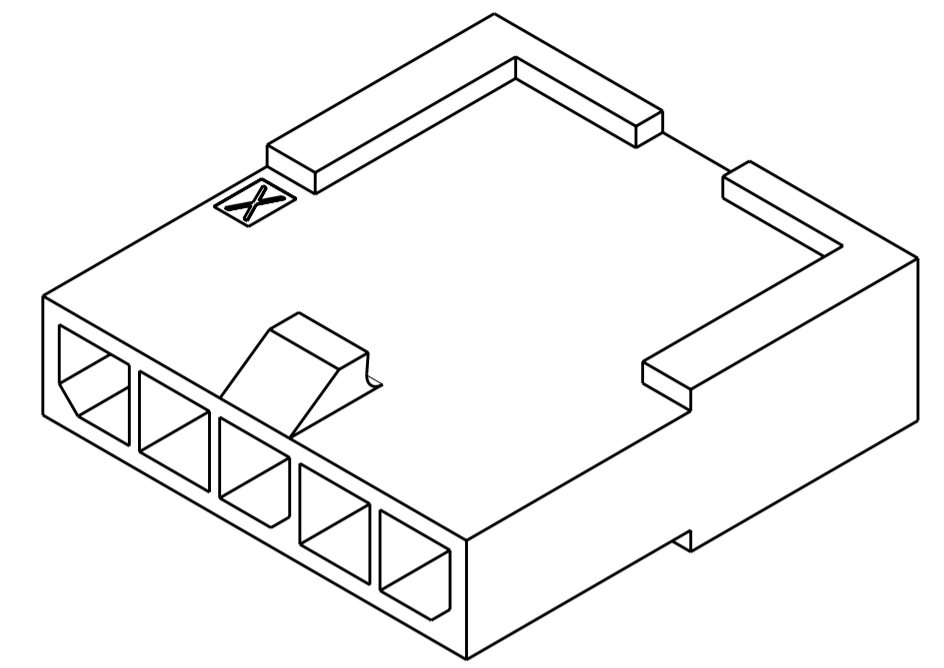
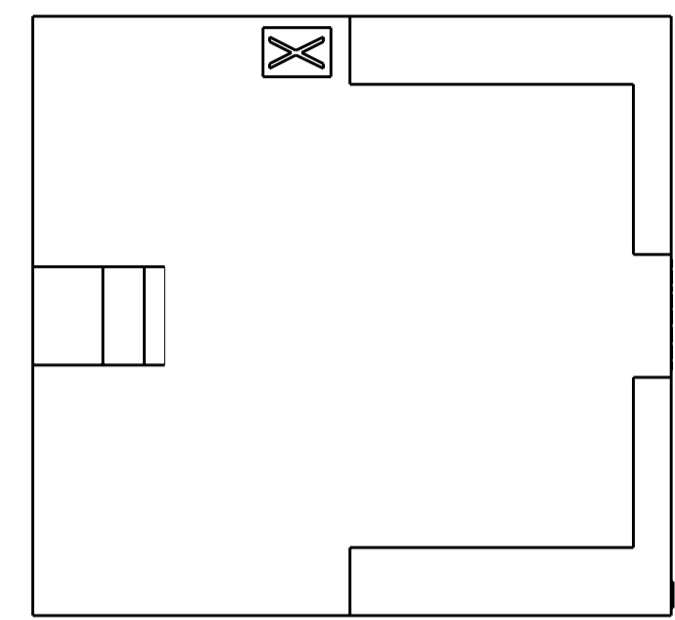
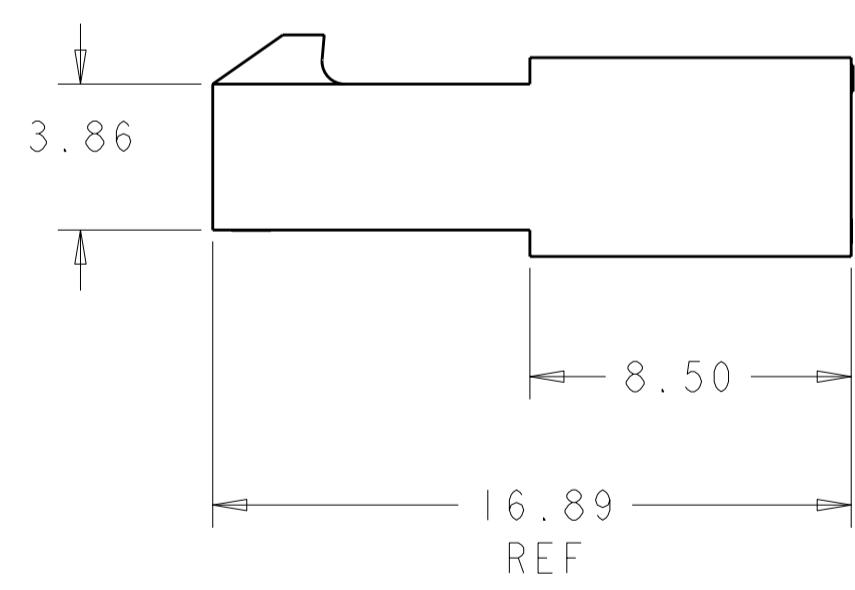
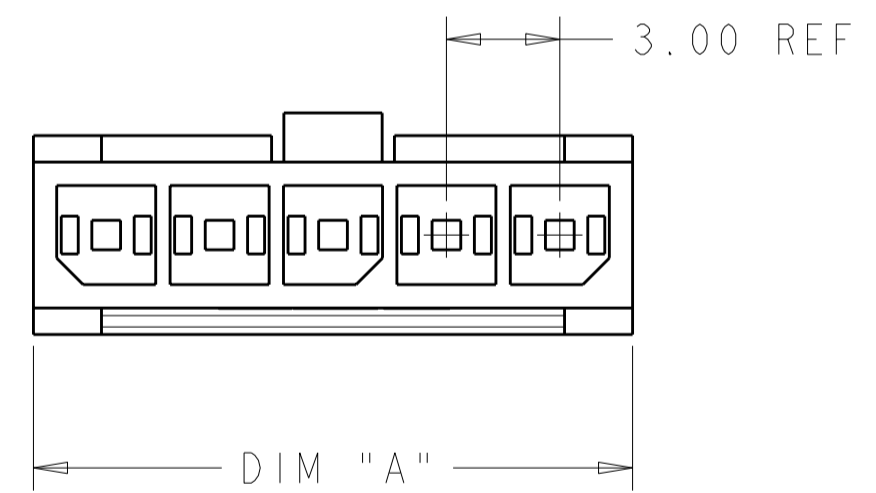


THIS DRAWING IS UNPUBLISHED. RELEASED FOR PUBLICATION 20  
 © COPYRIGHT 20 ALL RIGHTS RESERVED.

LOC	DIST	REVISIONS			
P	LTR	DESCRIPTION	DATE	DWN	APVD
CM	00				
	P	REVISED PER ECO-11-005294	06APR2011	RK	HMR



SCALE 5:1



36.85	12	1-1445049-2
33.85	11	1-1445049-1
30.85	10	1-1445049-0
27.85	9	1445049-9
24.85	8	1445049-8
21.85	7	1445049-7
18.85	6	1445049-6
15.85	5	1445049-5
12.85	4	1445049-4
9.85	3	1445049-3
6.85	2	1445049-2
DIM A	NO. OF POS.	PART NUMBER

**METRIC**

THIS DRAWING IS A CONTROLLED DOCUMENT.

DWN	W. J. RUDY	29AUG2000
CHK	W. DAVIS	29AUG2000
APVD	W. DAVIS	29AUG2000
PRODUCT SPEC	-	
APPLICATION SPEC	-	
WEIGHT	-	
CUSTOMER DRAWING		

**STE** TE Connectivity

NAME: PLUG HOUSING, 2 TO 12 POSITION, SINGLE ROW, FREE HANGING, MICRO MATE-N-LOK™

SIZE	CAGE CODE	DRAWING NO	RESTRICTED TO
A2	00779	1445049	-

SCALE 5:1 SHEET 1 OF 1 REV P