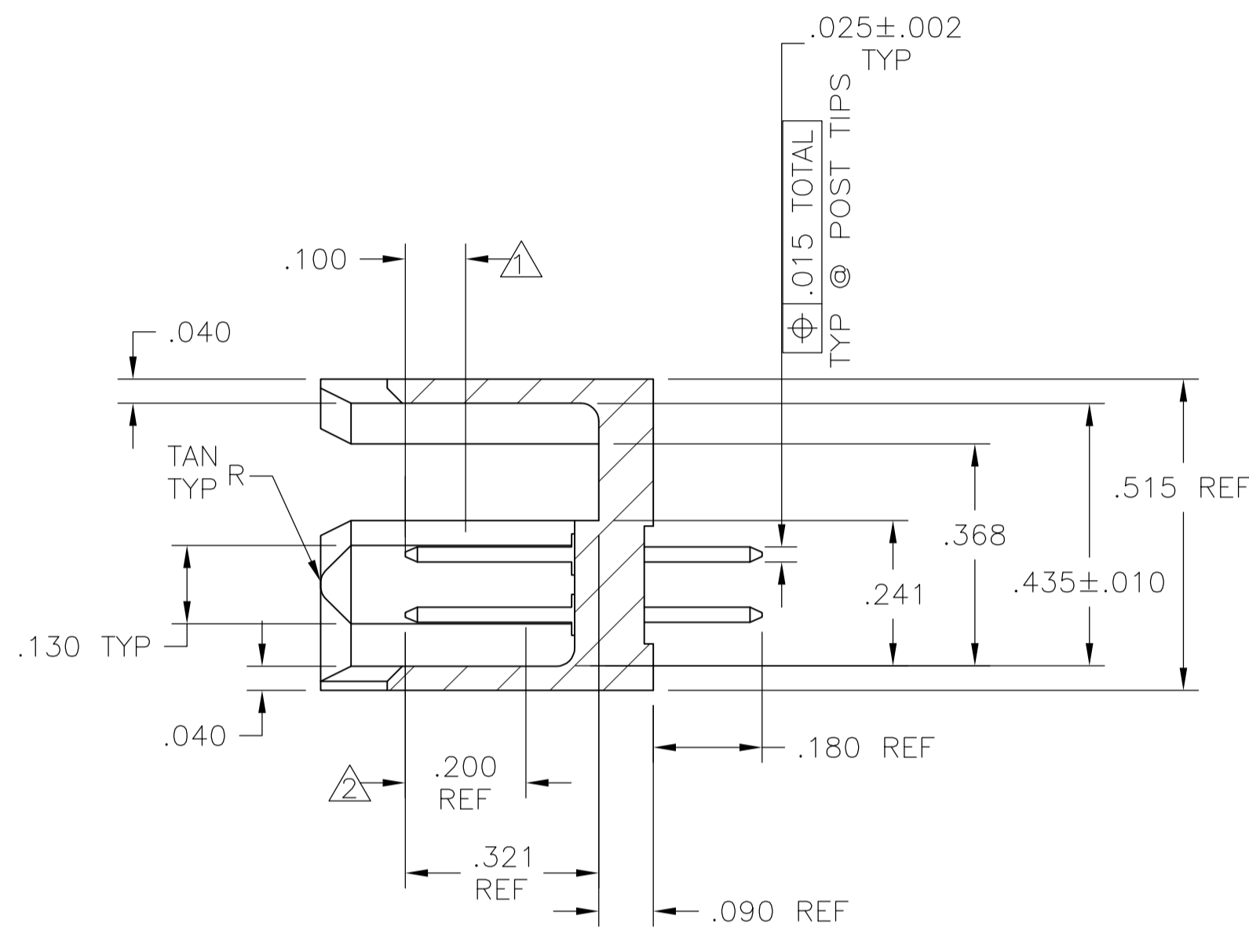
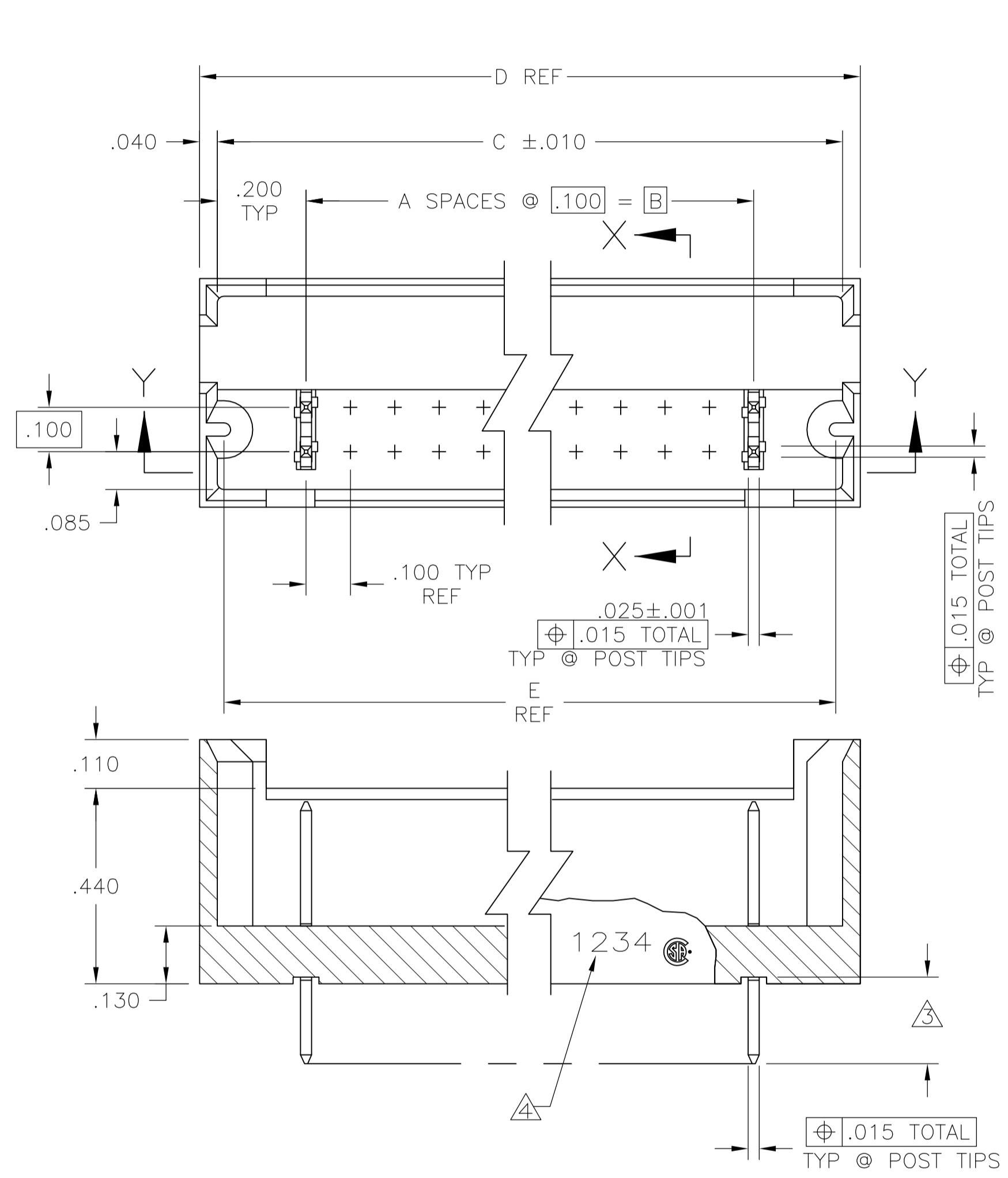
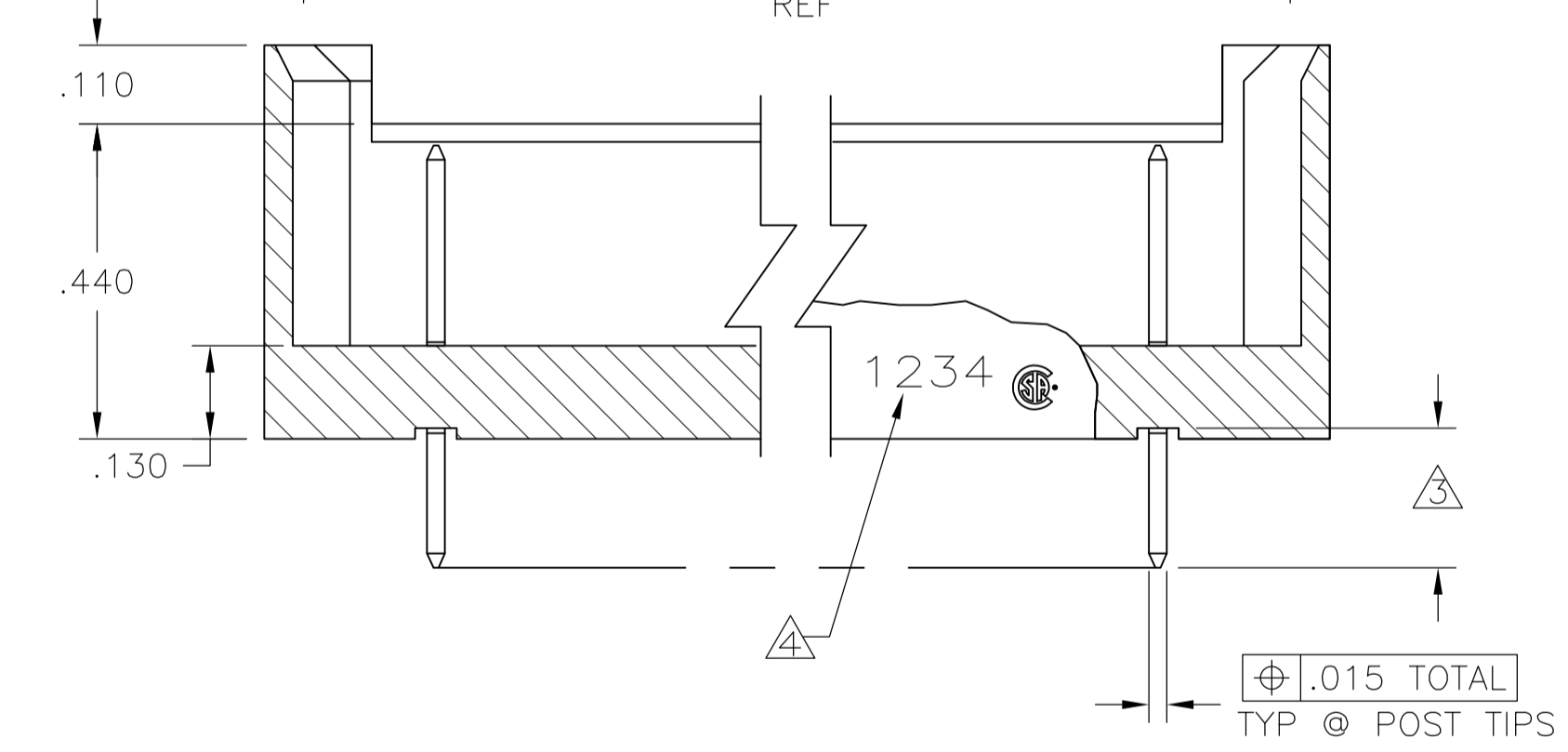


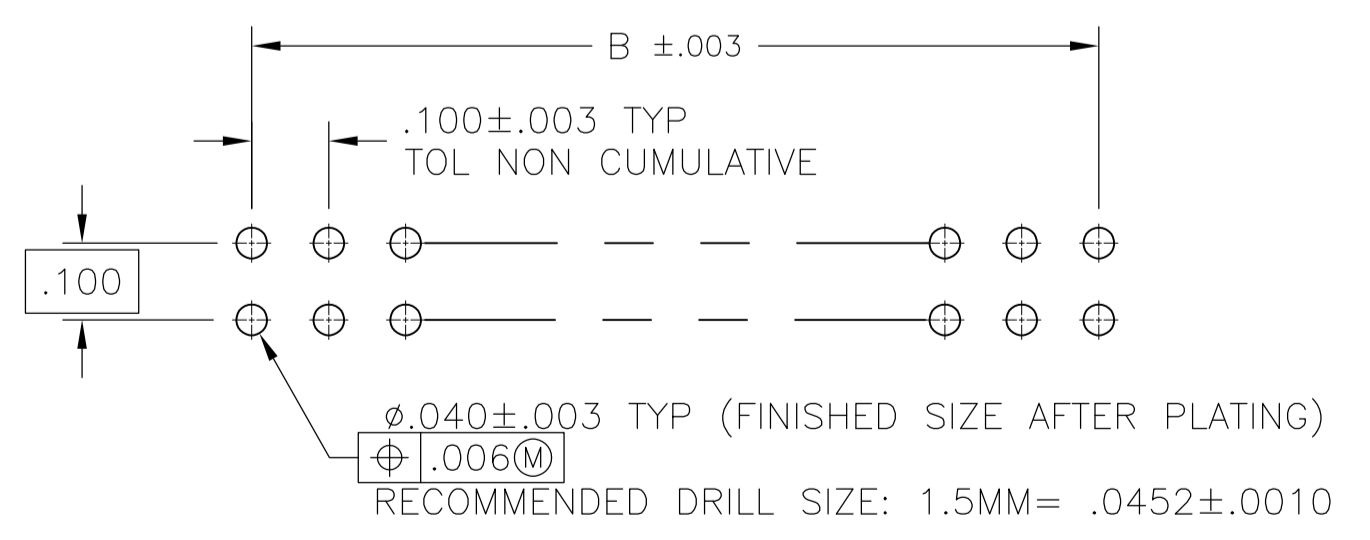
LOC		DIST		REVISIONS			
P	LTR	REVISED	PER	ECO--11-004587	DATE	DN	APVD
L4					11MAR11	RK	HMR



SECTION X-X



SECTION Y-Y



RECOMMENDED HOLE SIZE

- 1 POINT OF MEASUREMENT FOR PLATING THICKNESS.
- 2 FINISH OVER INDICATED AREA: .000030 GOLD OVER .000050 NICKEL.
- 3 FINISH OVER INDICATED AREA: .000100-.000200 BRIGHT TIN LEAD OVER .000050 NICKEL.
- 4 RECESSED DATE CODE AND LOGO.
- 5 OBSOLETE PART NUMBER.
- 6 PRELIMINARY PART - NOT RELEASED FOR PRODUCTION
- 7 FINISH OVER INDICATED AREA: .000100-.000200 MATTE TIN OVER .000050 NICKEL.
- 8 ROHS 2002/95/EC COMPLIANT
- 9 OBSOLETE PARTS: OBSOLETE CIS STREAMLINING PER D.RENAUD/D.SINISI

NO. OF POSN	A	B	C ±.010	D	E	PART NUMBER
12	26	79	120	160	210	7-102692-9
12	26	79	120	160	210	7-102692-8
46	94	210	280	350	440	7-102692-7
21	44	100	140	180	240	7-102692-6
6	14	60	80	100	130	7-102692-5
89	180	210	280	350	440	7-102692-4
73	148	180	240	300	380	7-102692-3
63	128	150	200	260	330	7-102692-2
69	140	180	240	300	380	7-102692-1
64	130	170	230	290	370	7-102692-0
42	86	110	150	190	250	6-102692-9
35	72	100	140	180	240	6-102692-8
14	30	40	60	80	110	6-102692-7
9	20	30	50	70	100	6-102692-6
7	16	25	40	60	80	6-102692-5
34	70	100	140	180	240	6-102692-4
19	40	60	80	110	150	6-102692-3
44	90	130	170	230	300	6-102692-2
99	200	280	360	440	520	6-102692-1
54	110	150	200	260	330	6-102692-0
59	120	170	230	300	370	5-102692-9
49	100	140	180	240	300	5-102692-8
47	96	130	170	230	290	5-102692-7
39	80	110	150	190	250	5-102692-6
29	60	80	110	150	200	5-102692-5
24	50	70	100	140	180	5-102692-4
17	36	50	70	100	140	5-102692-3
11	24	40	60	80	110	5-102692-2
5	12	20	30	50	70	5-102692-1
12	26	79	120	160	210	2-102692-9
79	160	210	280	350	440	2-102692-8
46	94	210	280	350	440	2-102692-7
21	44	100	140	180	240	2-102692-6
6	14	60	80	100	130	2-102692-5
89	180	210	280	350	440	2-102692-4
73	148	180	240	300	380	2-102692-3
63	128	150	200	260	330	2-102692-2
69	140	180	240	300	380	2-102692-1
64	130	170	230	290	370	2-102692-0
42	86	110	150	190	250	1-102692-9
35	72	100	140	180	240	1-102692-8
14	30	40	60	80	110	1-102692-7
9	20	30	50	70	100	1-102692-6
7	16	25	40	60	80	1-102692-5
34	70	100	140	180	240	1-102692-4
19	40	60	80	110	150	1-102692-3
44	90	130	170	230	300	1-102692-2
99	200	280	360	440	520	1-102692-1
54	110	150	200	260	330	1-102692-0
59	120	170	230	300	370	102692-9
49	100	140	180	240	300	102692-8
47	96	130	170	230	290	102692-7
39	80	110	150	190	250	102692-6
29	60	80	110	150	200	102692-5
24	50	70	100	140	180	102692-4
17	36	50	70	100	140	102692-3
11	24	40	60	80	110	102692-2
5	12	20	30	50	70	102692-1

THIS DRAWING IS A CONTROLLED DOCUMENT.

STE TE Connectivity

HEADER ASSEMBLY, MOD II, .100C.100CL, .025 SQ POSTS

00779C=102692

SCALE 4:1 SHEET 1 OF 1 REV L4