

4

3

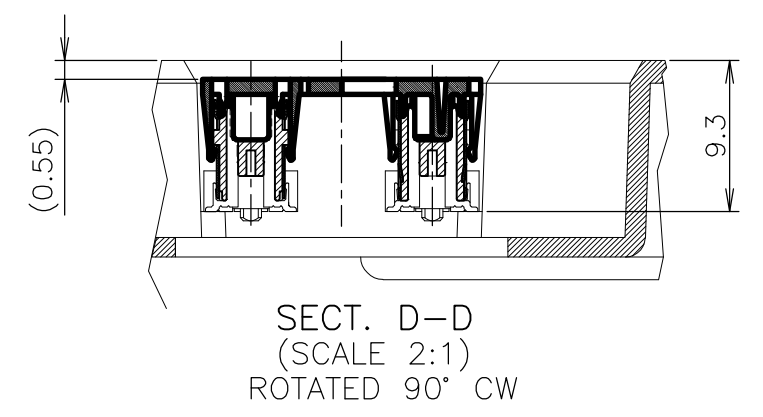
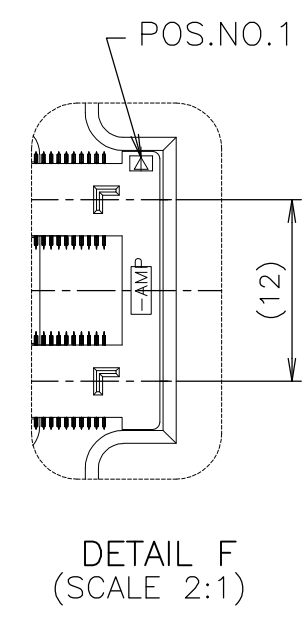
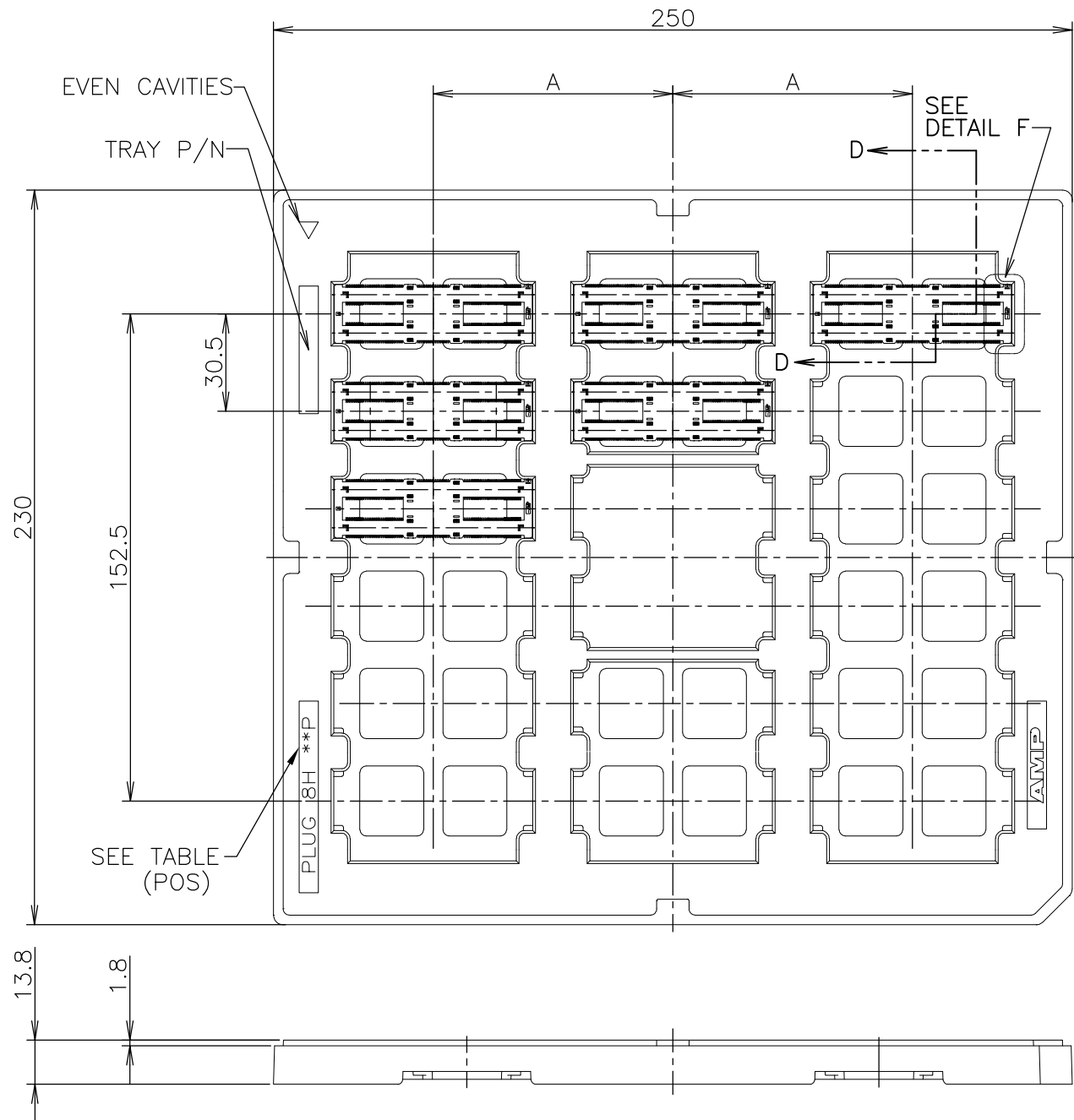
2

1

THIS DRAWING IS UNPUBLISHED. RELEASED FOR PUBLICATION
 © COPYRIGHT - By - ALL RIGHTS RESERVED.

LOC		DIST		REVISIONS				
P	LTR	DESCRIPTION			DATE	DWN	APVD	
	C2	REVISED PER ECO-11-005033			25MAR11	RK	HMR	

3-5353652-6:AS SHOWN



NO	3	18	75	440	3-5353652-6
SEALANT	ROW	QTY	A	POS.	PART NO.

THIS DRAWING IS A CONTROLLED DOCUMENT.		DWN	S.CH IEN	18MAY05	STE TE Connectivity												
DIMENSIONS: MM		CHK	T.FUTATSUGI	18MAY05													
TOLERANCES UNLESS OTHERWISE SPECIFIED:		APVD	H.KODAMA	18MAY05													
<table border="0"> <tr><td>0 PLC</td><td>± 0.3</td></tr> <tr><td>1 PLC</td><td>± 0.3</td></tr> <tr><td>2 PLC</td><td>± 0.3</td></tr> <tr><td>3 PLC</td><td>± 0.3</td></tr> <tr><td>4 PLC</td><td>± 0.3</td></tr> <tr><td>ANGLES</td><td>± 3'</td></tr> </table>		0 PLC	± 0.3	1 PLC		± 0.3	2 PLC	± 0.3	3 PLC	± 0.3	4 PLC	± 0.3	ANGLES	± 3'	NAME		HARD TRAY ASSY
0 PLC	± 0.3																
1 PLC	± 0.3																
2 PLC	± 0.3																
3 PLC	± 0.3																
4 PLC	± 0.3																
ANGLES	± 3'																
MATERIAL		PRODUCT SPEC		FH 0.5BTB CONNECTOR													
FINISH		APPLICATION SPEC		PLUG 8H W/G-PLATE ON 2ROW CAP													
		WEIGHT		SIZE	RESTRICTED TO												
		CUSTOMER DRAWING		A3													
		SCALE		CAGE CODE	DRAWING NO												
		1:2		00779	C-5353652												
		SHEET		REV													
		1 OF 8		C2													

4

3

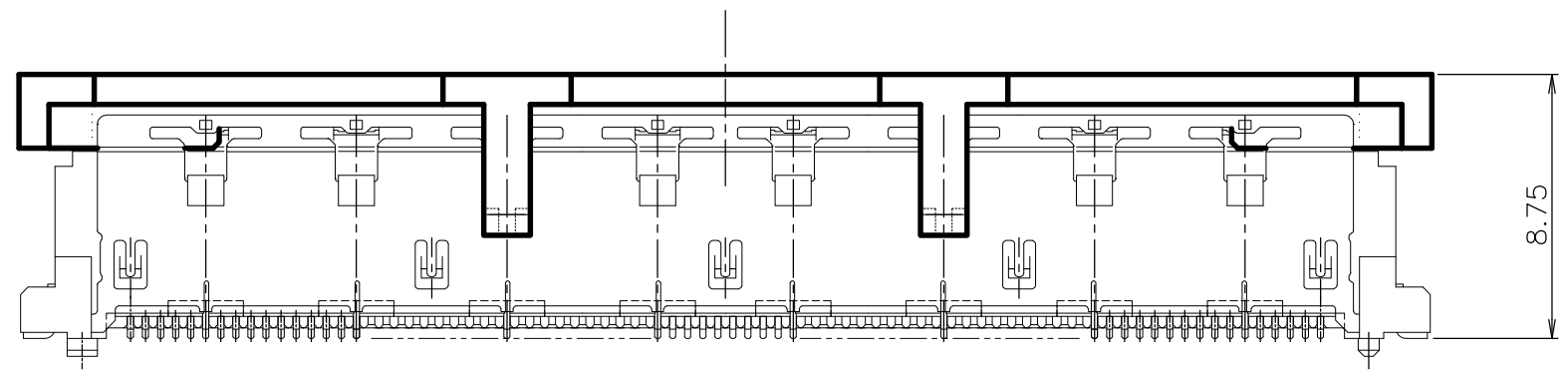
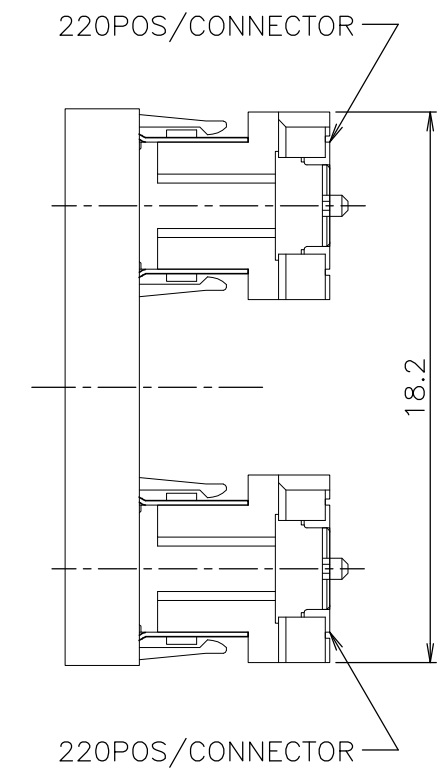
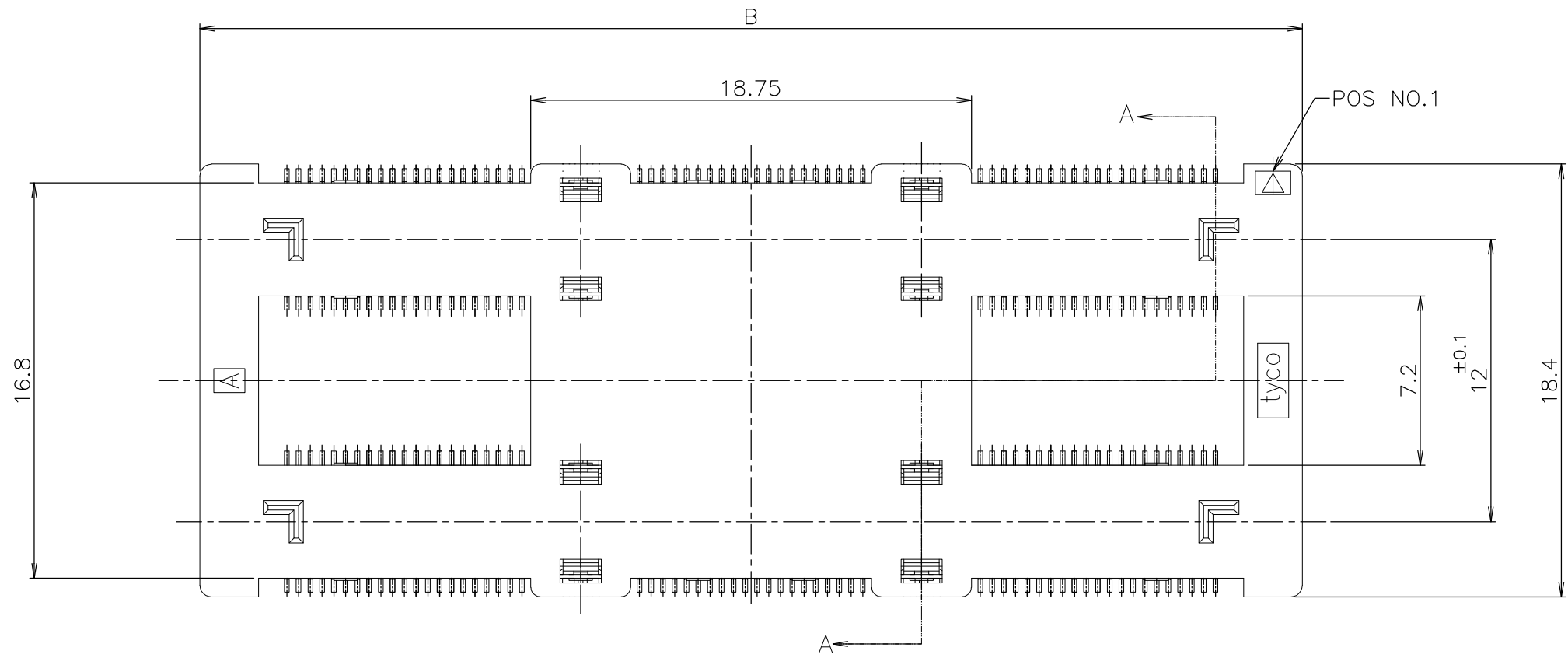
2

1

THIS DRAWING IS UNPUBLISHED. RELEASED FOR PUBLICATION
 © COPYRIGHT By - ALL RIGHTS RESERVED.

LOC ES	DIST /	REVISIONS			
P	LTR	DESCRIPTION	DATE	DWN	APVD
-	-	-SEE SHEET 1-	-	-	-

CAP SETTING CONDITION OF 3-5353652-6



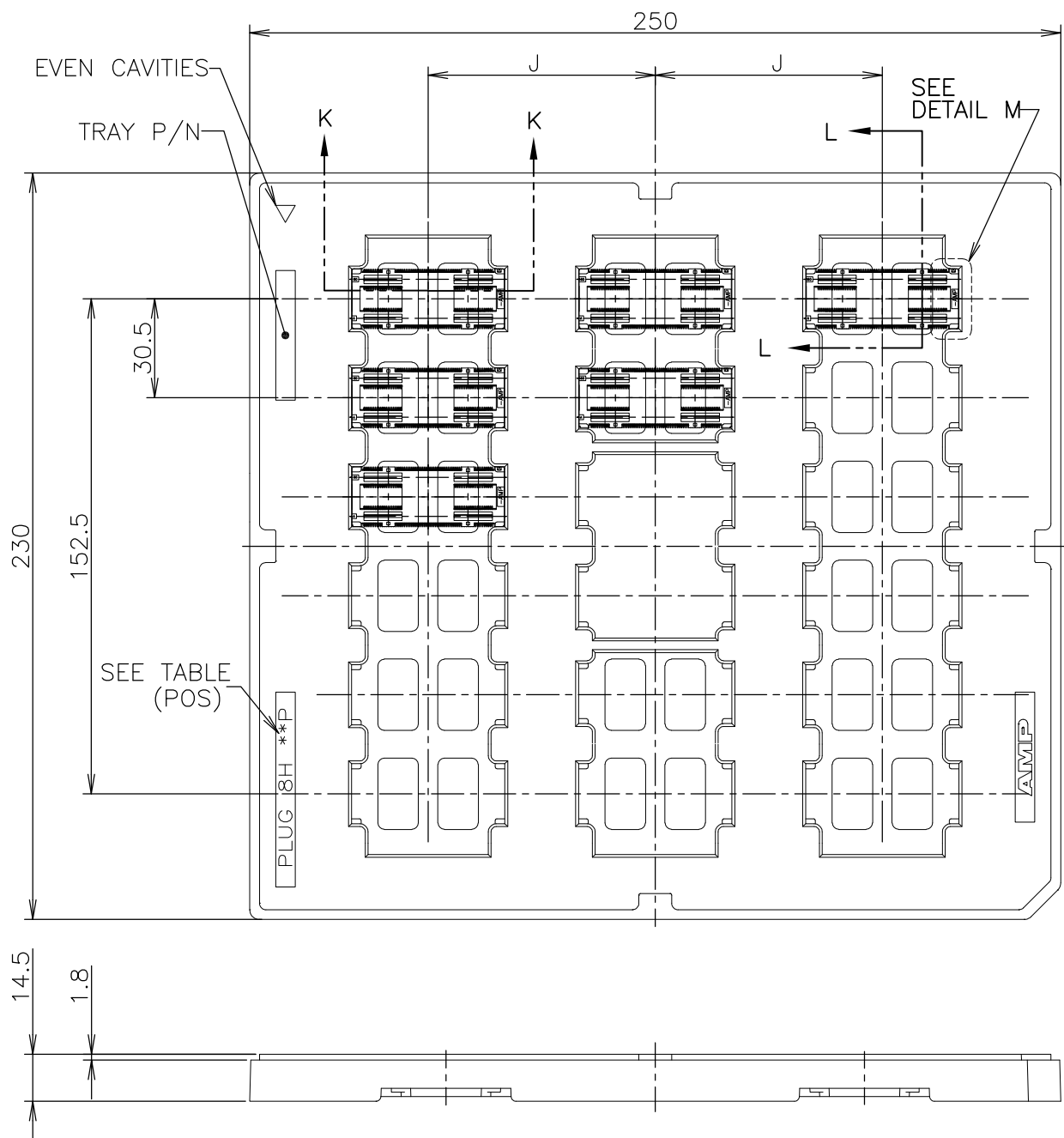
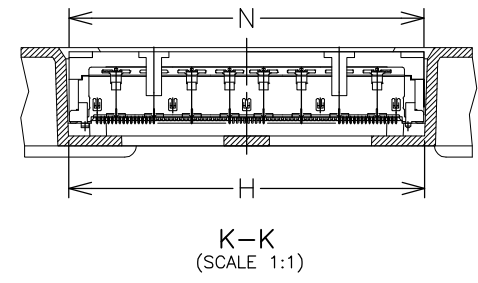
BLACK	61.9	440	3-5353652-6
CAP COLOR	B	POS	PART NO.

THIS DRAWING IS A CONTROLLED DOCUMENT.		DWN	TE Connectivity HARD TRAY ASSY FH 0.5BTB CONNECTOR PLUG 8H W/G-PLATE ON 2ROW CAP		
DIMENSIONS: MM		CHK			
TOLERANCES UNLESS OTHERWISE SPECIFIED: 0 PLC ± 0.3 1 PLC ± 0.3 2 PLC ± 0.3 3 PLC ± 0.3 4 PLC ± 0.3 ANGLES ± 3°		APVD			
MATERIAL		PRODUCT SPEC			
		APPLICATION SPEC	NAME	SIZE	CAGE CODE
		WEIGHT	DRAWING NO	A3	00779
		CUSTOMER DRAWING	RESTRICTED TO	C-5353652	
			SCALE	SHEET	REV
			4:1	2 OF 8	C2

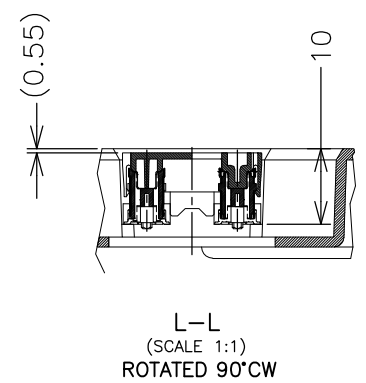
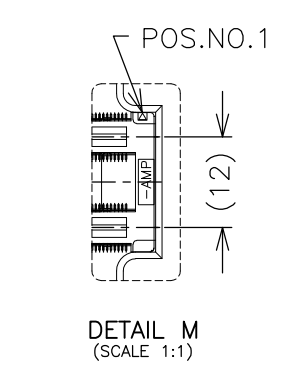
THIS DRAWING IS UNPUBLISHED. RELEASED FOR PUBLICATION
 © COPYRIGHT By - ALL RIGHTS RESERVED.

LOC ES	DIST /	P	LTR	DESCRIPTION	DATE	DWN	APVD
		-		SEE SHEET 1	-	-	-

6-5353652-2:AS SHOWN
 1-5353652-2:AS SHOWN



SEALANT TOOLING	ROW	QTY	J	H	N	POS.	TRAY P/N	ON CAP CONN P/N	PART NO.
NOT AVAILABLE	3	18	70	66.8	66.9	480	.	6-5353620-7	6-5353652-7
			75	61.8	61.9	440	.	6-	-6
			70	56.8	56.9	400	.	6-	-5
				51.8	51.9	360	.	6-	-4
NOT AVAILABLE				49.3	49.4	340	.	6-5353620-3	6-5353652-3
AVAILABLE				46.8	46.9	320	7-912066-6	6-5353620-2	6-5353652-2
NOT AVAILABLE				44.3	44.4	300	.	6-5353620-1	6-5353652-1
				41.8	41.9	280	.	6-	-0
	3	18	70	36.8	36.9	240	.	5-	-9
	5	30	43	31.8	31.9	200	.	5-	-8
				29.3	29.4	180	.	5-	-7
				26.8	26.9	160	.	5-	-6
				24.3	24.4	140	.	5-	-5
				21.8	21.9	120	.	5-	-4
				19.3	19.4	100	.	5-	-3
				16.8	16.9	80	.	5-	-2
NOT AVAILABLE	5	30	43	14.3	14.4	60	.	5-5353620-1	5-5353652-1
NOT AVAILABLE	3	18	70	66.8	66.9	480	.	1-5353620-7	1-5353652-7
			75	61.8	61.9	440	.	1-	-6
			70	56.8	56.9	400	.	1-	-5
				51.8	51.9	360	.	1-	-4
NOT AVAILABLE				49.3	49.4	340	.	1-5353620-3	1-5353652-3
AVAILABLE				46.8	46.9	320	7-912066-6	1-5353620-2	1-5353652-2
NOT AVAILABLE				44.3	44.4	300	.	1-5353620-1	1-5353652-1
				41.8	41.9	280	.	1-	-0
	3	18	70	36.8	36.9	240	.		-9
	5	30	43	31.8	31.9	200	.		-8
				29.3	29.4	180	.		-7
				26.8	26.9	160	.		-6
				24.3	24.4	140	.		-5
				21.8	21.9	120	.		-4
				19.3	19.4	100	.		-3
				16.8	16.9	80	.		-2
NOT AVAILABLE	5	30	43	14.3	14.4	60	.	5353620-1	5353652-1



THIS DRAWING IS A CONTROLLED DOCUMENT.

DIMENSIONS: MM	TOLERANCES UNLESS OTHERWISE SPECIFIED: 0 PLC ± 0.3 1 PLC ± 0.3 2 PLC ± 0.3 3 PLC ± 0.3 4 PLC ANGLES ± 0.3	DWN	TE Connectivity HARD TRAY ASSY FH 0.5BTB CONNECTOR PLUG 8H W/G-PLATE ON 2ROW CAP
MATERIAL	FINISH	CHK	
		APVD	
		PRODUCT SPEC	
		APPLICATION SPEC	NAME
		WEIGHT	SIZE CAGE CODE DRAWING NO RESTRICTED TO
		CUSTOMER DRAWING	A3 00779 C-5353652
		SCALE 1:2	SHEET 3 OF 8 REV C2

4

3

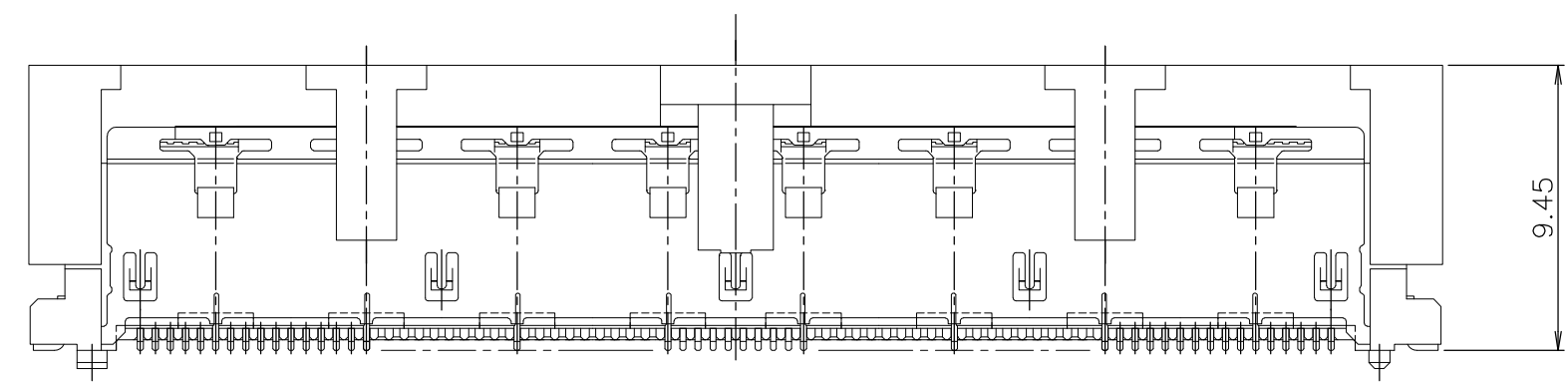
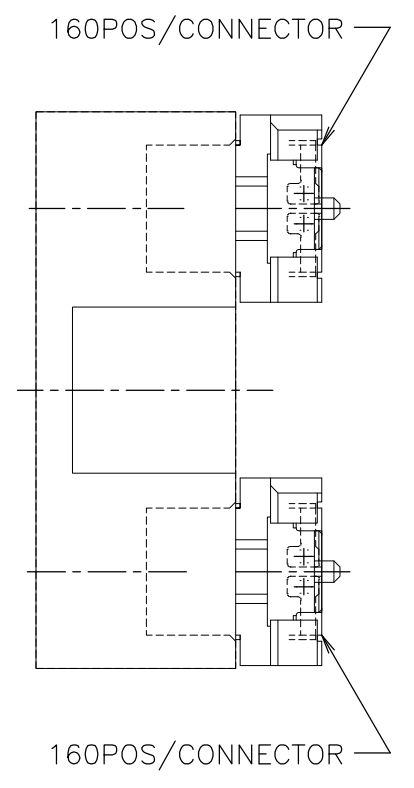
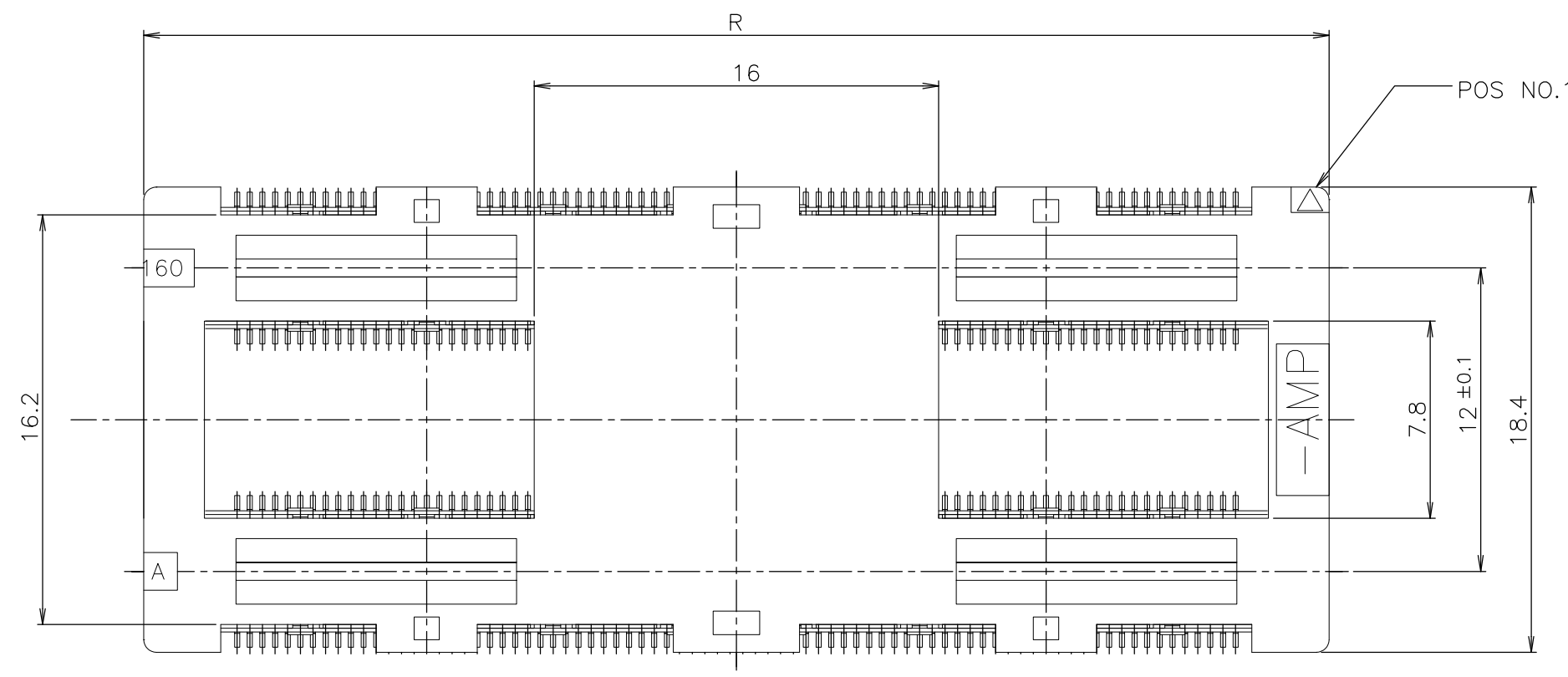
2

1


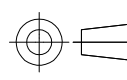
THIS DRAWING IS UNPUBLISHED. RELEASED FOR PUBLICATION
© COPYRIGHT By - ALL RIGHTS RESERVED.

LOC ES	DIST /	REVISIONS			
P	LTR	DESCRIPTION	DATE	DWN	APVD
-	-	SEE SHEET 1	-	-	-

CAP SETTING CONDITION OF 1-5353652-2 & 6-5353652-2

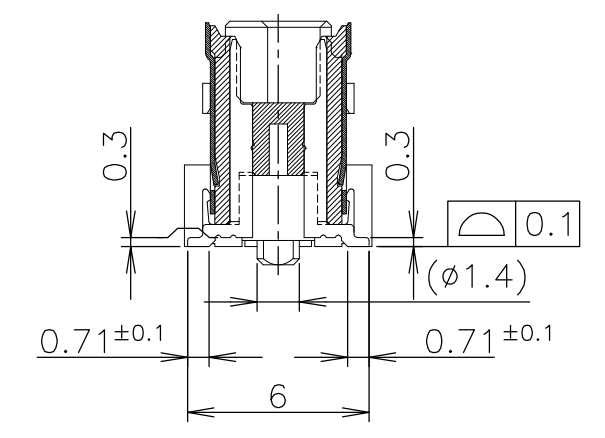
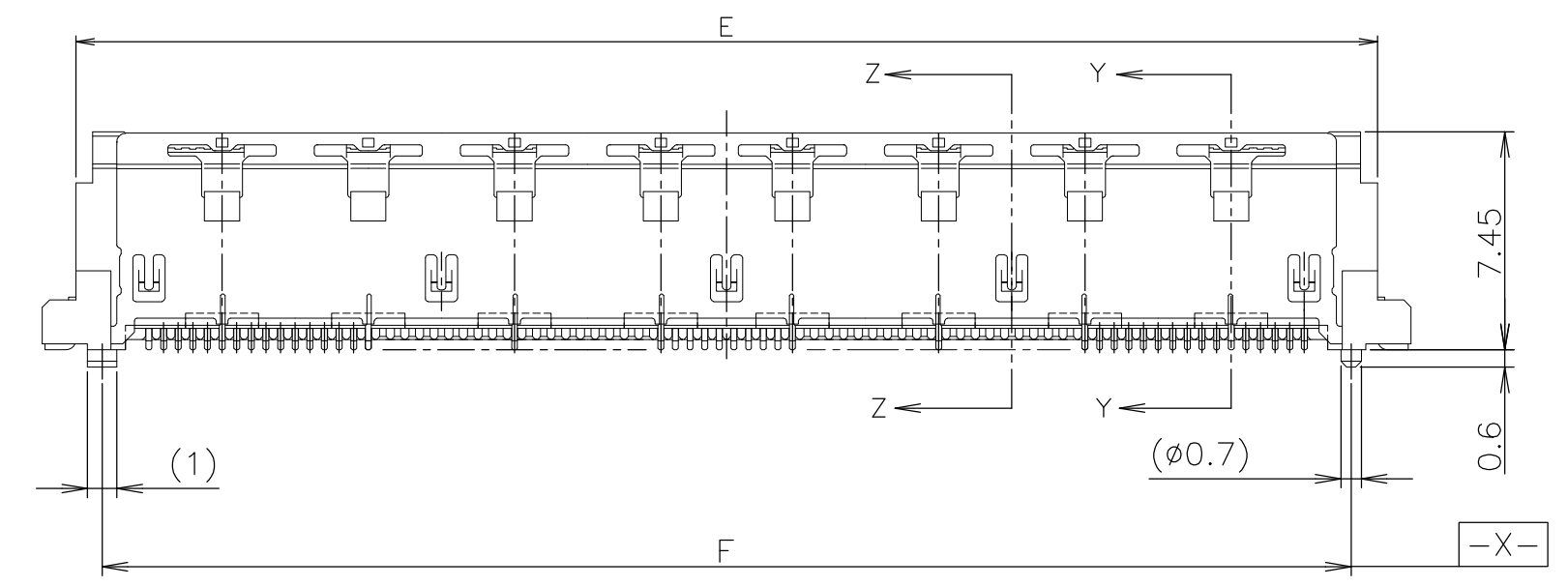
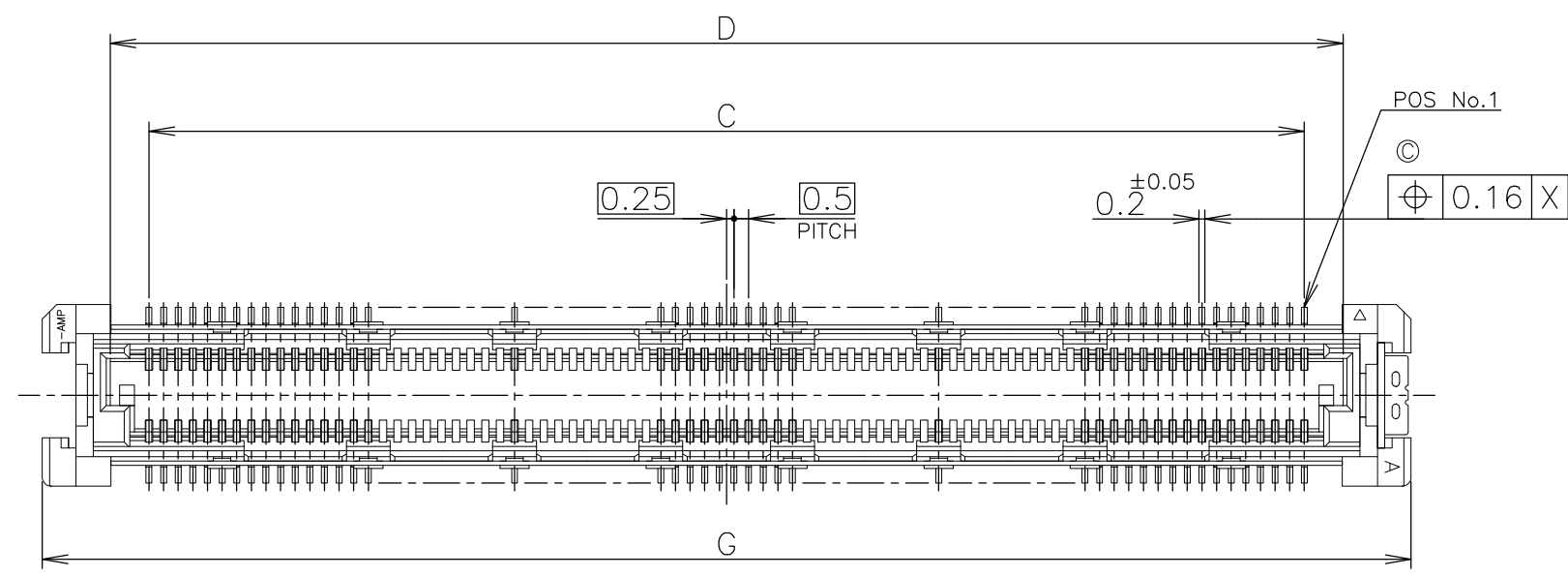


YES	NATURAL	46.9	320	6-5353652-2
NO	NATURAL	46.9	320	1-5353652-2
SEALANT	CAP COLOR	R	POS	PART NO.

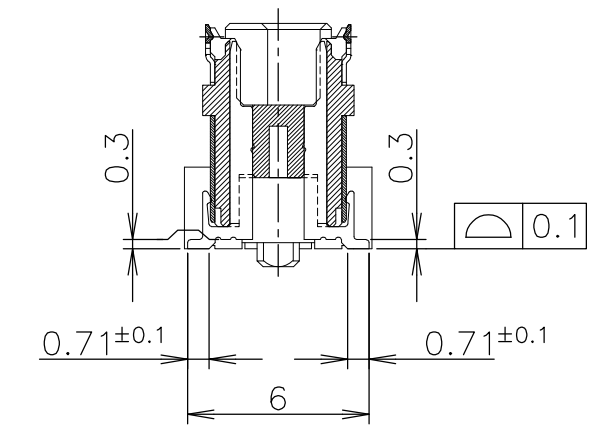
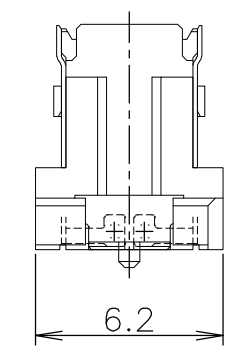
THIS DRAWING IS A CONTROLLED DOCUMENT.		DWN	 TE Connectivity					
DIMENSIONS: MM		CHK				NAME		
TOLERANCES UNLESS OTHERWISE SPECIFIED: 0 PLC ± 0.3 1 PLC ± 0.3 2 PLC ± 0.3 3 PLC ± 0.3 4 PLC ANGLES ± 3°		APVD						
		PRODUCT SPEC				HARD TRAY ASSY FH 0.5BTB CONNECTOR PLUG 8H W/G-PLATE ON 2ROW CAP		
MATERIAL		APPLICATION SPEC	SIZE	CAGE CODE	DRAWING NO	RESTRICTED TO		
		WEIGHT	A3	00779	C-5353652	-		
CUSTOMER DRAWING			SCALE	SHEET	REV			
			4:1	4 OF 8	C2			

THIS DRAWING IS UNPUBLISHED. RELEASED FOR PUBLICATION
 © COPYRIGHT By - ALL RIGHTS RESERVED.

LOC	DIST	REVISIONS			
P	LTR	DESCRIPTION	DATE	DWN	APVD
ES	/	SEE SHEET 1	-	-	-



SECT. Z-Z
(SIGNAL POSITION)



SECT. Y-Y
(GROUND POSITION)

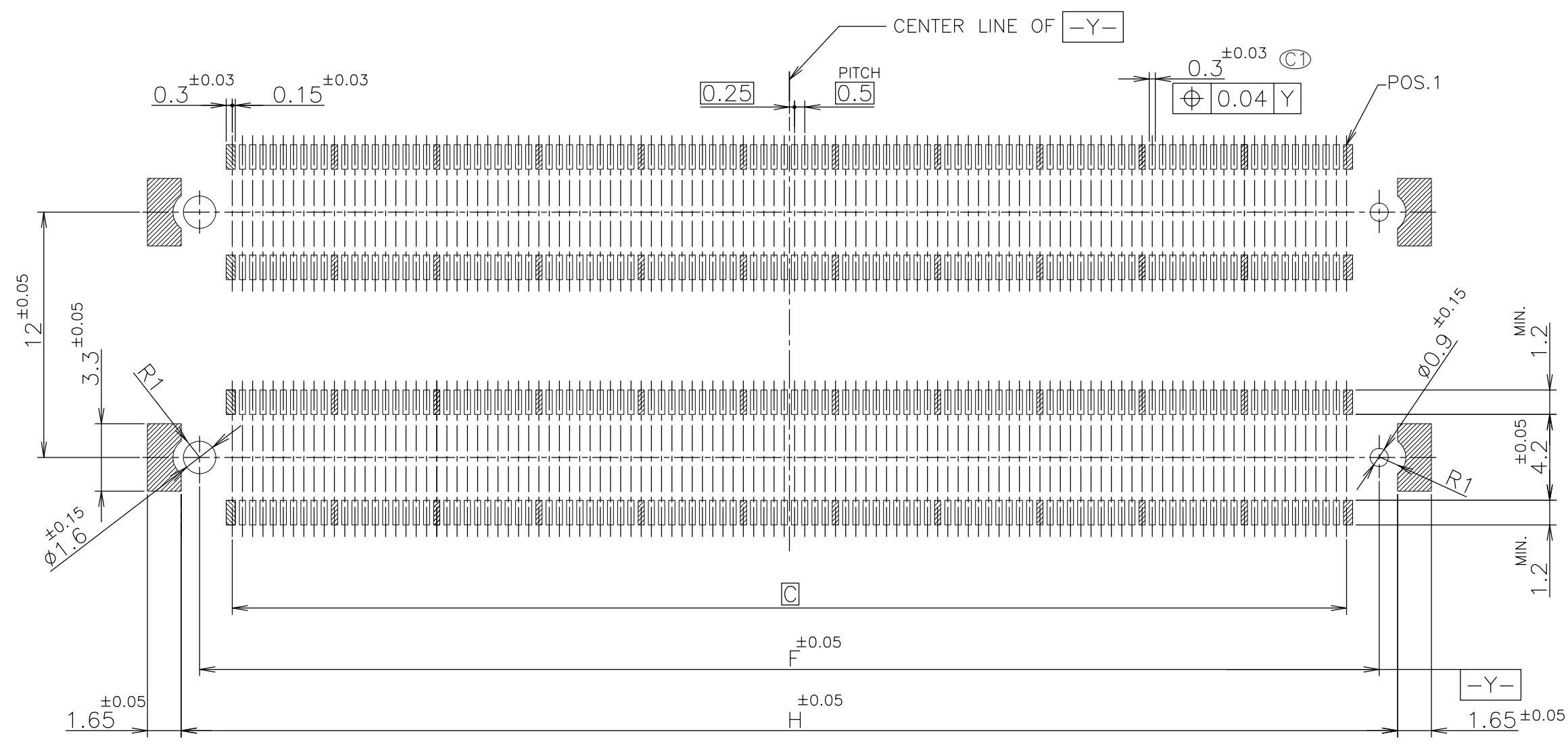
- ① MATERIAL ; HOUSING : HIGH TEMP THERMO PLASTIC UL94V-0
CONTACT : COPPER ALLOY
SOLDER PEG : COPPER ALLOY
- ② FINISH ; SIGNAL CONTACT : UNDER PL Ni 0.0013mm MIN ALL OVER.
CONTACT AREA 0.0002mm MIN Au PL.
SOLDERING AREA 0.001mm MIN TIN PL.
GROUND CONTACT : UNDER PL Ni 0.0013mm MIN ALL OVER.
CONTACT AREA 0.0002mm MIN Au PL.
SOLDERING AREA 0.001mm MIN TIN PL.
SOLDER PEG : 0.001mm MIN TIN PL. OVER
0.0013mm MIN Ni PL ALL OVER.
- ③ THIS POSITION IS GROUND CIRCUIT.
- ④ THIS PRODUCT IS COATED BY FLUX-PENETRATION-INHIDITING AGENT.

46.8	42.7	44.5	42.1	39.5	160	NATURAL	6-5353652-2
46.8	42.7	44.5	42.1	39.5	160	NATURAL	1-5353652-2
61.8	57.7	59.5	57.1	54.5	220	BLACK	3-5353652-6
G	F	E	D	C	POS OF EACH CONNECTOR	HSG COLOR	PART NO.

THIS DRAWING IS A CONTROLLED DOCUMENT.		DWN		TE Connectivity			
DIMENSIONS: MM		TOLERANCES UNLESS OTHERWISE SPECIFIED:					
		0 PLC ± 0.3 1 PLC ± 0.3 2 PLC ± 0.3 3 PLC ± 0.3 4 PLC ± 0.3 ANGLES ± 3°		CHK		HARD TRAY ASSY	
MATERIAL ①		FINISH ②		APVD		FH 0.5BTB CONNECTOR	
				PRODUCT SPEC		PLUG 8H W/G-PLATE ON 2ROW CAP	
				APPLICATION SPEC		RESTRICTED TO	
				WEIGHT		SIZE CAGE CODE DRAWING NO	
				CUSTOMER DRAWING		A3 00779 C-5353652	
				SCALE 4:1		SHEET 5 OF 8 REV C2	

THIS DRAWING IS UNPUBLISHED. RELEASED FOR PUBLICATION
 © COPYRIGHT By - ALL RIGHTS RESERVED.

LOC	DIST	REVISIONS		
ES		P	LTR	DESCRIPTION
		-		SEE SHEET 1
				DATE
				DWN
				APVD



REFERENCE P.C. BOARD LAYOUT

44.5	42.7	320	6-5353652-2
44.5	42.7	320	1-5353652-2
59.5	57.7	440	3-5353652-6
H	F	POS	PART NO.

THIS DRAWING IS A CONTROLLED DOCUMENT.		DWN	TE Connectivity NAME HARD TRAY ASSY FH 0.5BTB CONNECTOR PLUG 8H W/G-PLATE ON 2ROW CAP				
DIMENSIONS: MM		CHK					
		APVD					
TOLERANCES UNLESS OTHERWISE SPECIFIED: 0 PLC ± 0.3 1 PLC ± 0.3 2 PLC ± 0.3 3 PLC ± 0.3 4 PLC ± 0.3 ANGLES ± 3°		PRODUCT SPEC					
MATERIAL		FINISH	APPLICATION SPEC	SIZE	CAGE CODE	DRAWING NO	RESTRICTED TO
CUSTOMER DRAWING			WEIGHT	A3	00779	C-5353652	
				SCALE	4:1	SHEET	6 OF 8
				REV	C2		

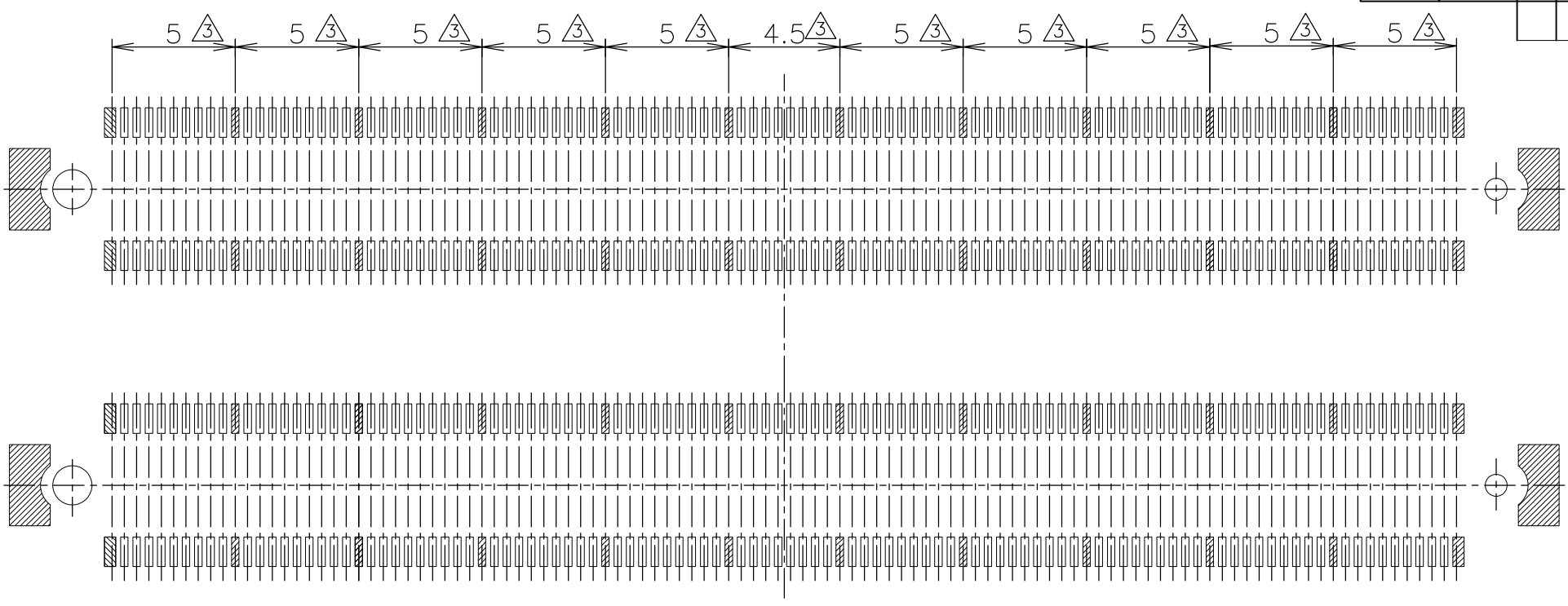
THIS DRAWING IS UNPUBLISHED. RELEASED FOR PUBLICATION
 © COPYRIGHT By - ALL RIGHTS RESERVED.

LOC ES DIST

REVISIONS				
P	LTR	DESCRIPTION	DATE	APVD
-	-	SEE SHEET 1	-	-

D

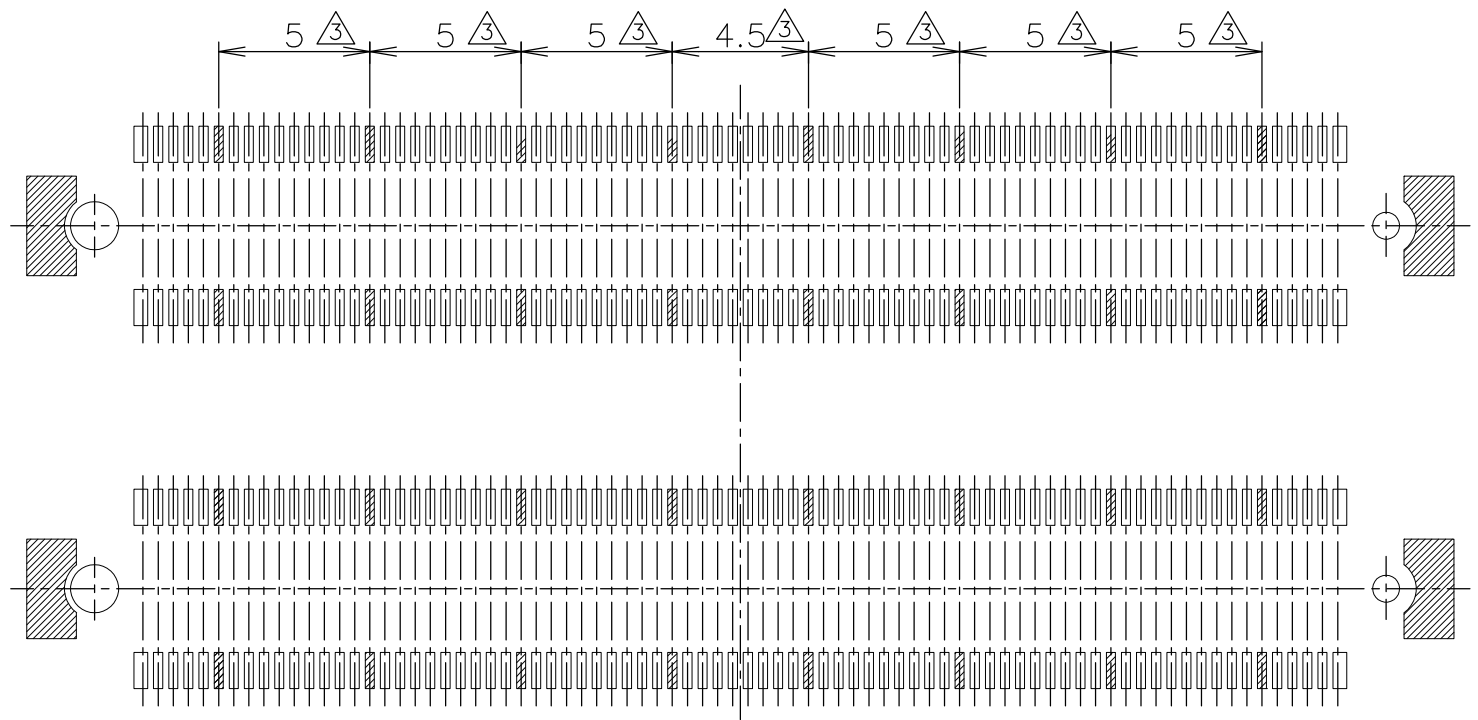
D



440P

C

C



320P

B

B

P.C. BOARD LAYOUT

THIS DRAWING IS A CONTROLLED DOCUMENT.		DWN		TE Connectivity NAME HARD TRAY ASSY FH 0.5BTB CONNECTOR PLUG 8H W/G-PLATE ON 2ROW CAP	
DIMENSIONS: MM		CHK			
TOLERANCES UNLESS OTHERWISE SPECIFIED:		APVD			
0 PLC ± 0.3 1 PLC ± 0.3 2 PLC ± 0.3 3 PLC ± 0.3 4 PLC ± 0.3 ANGLES ± 3°		PRODUCT SPEC			
MATERIAL		FINISH		APPLICATION SPEC	
				WEIGHT	
				SIZE	RESTRICTED TO
				A3	
				CAGE CODE	
				C-5353652	
				DRAWING NO	
				SCALE	
				4:1	
				SHEET	
				7 OF 8	
				REV	
				C2	

4

3

2

1

THIS DRAWING IS UNPUBLISHED.

RELEASED FOR PUBLICATION

© COPYRIGHT By -

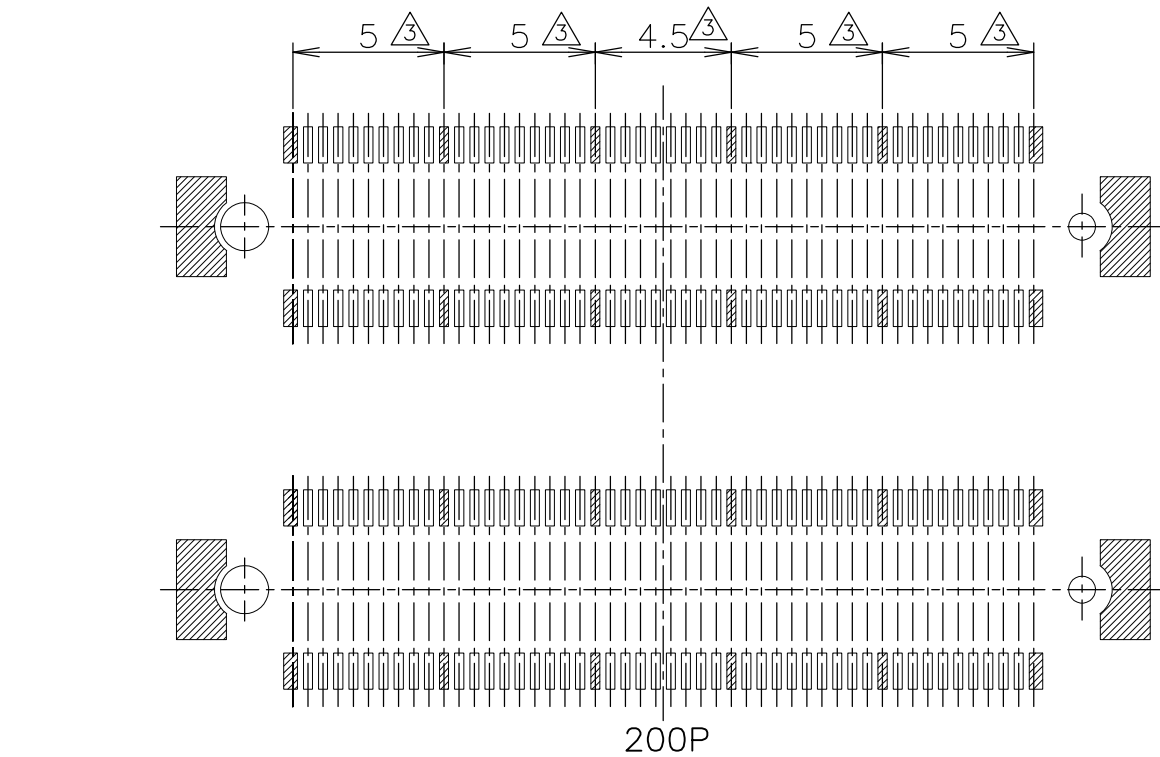
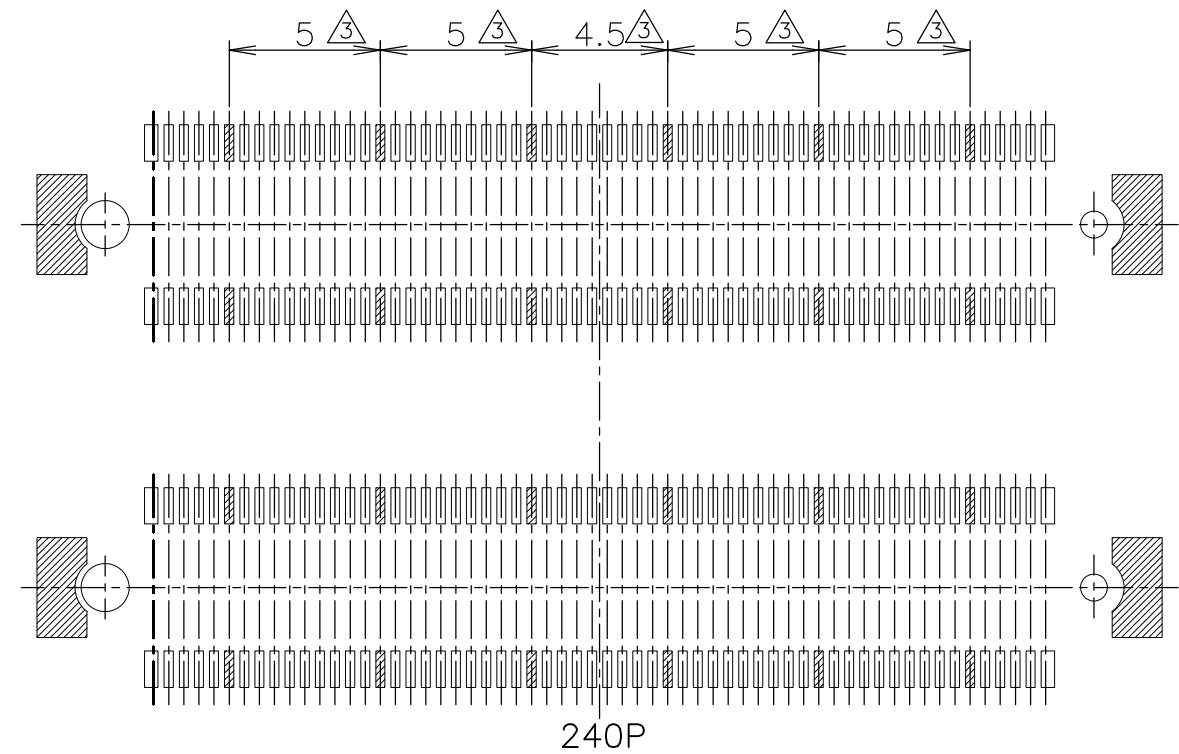
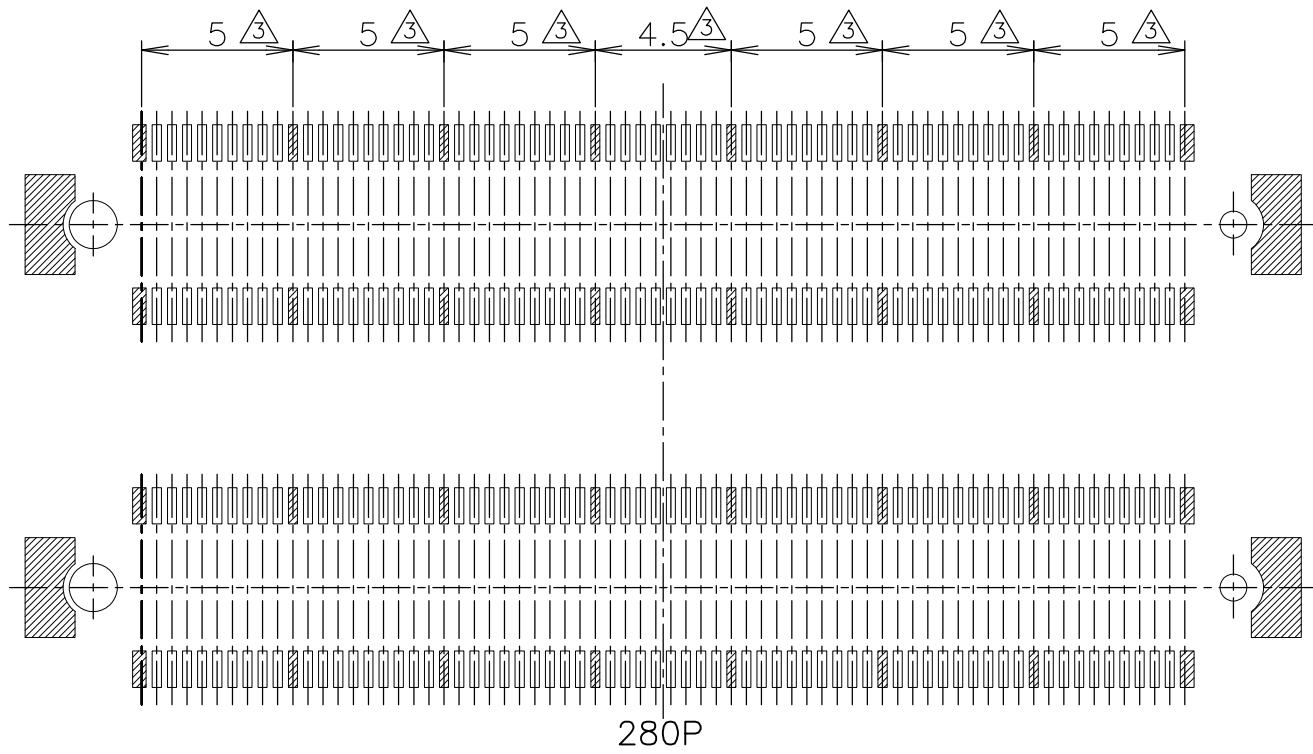
ALL RIGHTS RESERVED.


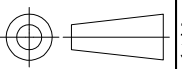
LOC
ES

DIST

REVISIONS

P	LTR	DESCRIPTION	DATE	DWN	APVD
-	-	SEE SHEET 1	-	-	-



THIS DRAWING IS A CONTROLLED DOCUMENT.		DWN	 TE Connectivity					
DIMENSIONS: MM		CHK				NAME		
		APVD						
TOLERANCES UNLESS OTHERWISE SPECIFIED: 0 PLC ± 0.3 1 PLC ± 0.3 2 PLC ± 0.3 3 PLC ± 0.3 4 PLC ± 0.3 ANGLES ± 3°		PRODUCT SPEC				SIZE	CAGE CODE	DRAWING NO
MATERIAL		APPLICATION SPEC	A3 00779		C-5353652			
FINISH		WEIGHT	CUSTOMER DRAWING		SCALE 4:1	SHEET 8 OF 8	REV C2	