



DIRECT ACTING 3/2
SOLENOID/SPRING VALVE 3/8

- ✓ 3/8 body ported or base mounted
- ✓ Selective porting can provide up to 6 valve functions (see chart)
- ✓ Flow rate Cv1.5
- ✓ Body ported or manifold mounted
- ✓ Choice of electrical entry

TECHNICAL SPECIFICATIONS

Fluids	Air, Inert gas
Operation pressure range	0-9.9 Bar
Flow	Cv 1.5
Proof pressure	15 Bar
Ambient and fluid temperature range	5 - 50°C
Max. operating frequency	5 C/S
Response time	Max. 30ms
Effective orifice (Cv factor)	27mm ² * (1.5)
Lubrication	Not required
Manual override	Non-locking type
Enclosure	Dust proof

SELECTIVE PORTING

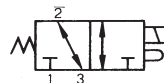
Valve function	3-way normally closed	3-way normally open	2-way normally closed
De-energized			
Energized			

Valve function	2-way normally open	Selector	Diverter
De-energized			
Energized			

SOLENOID SPECIFICATIONS

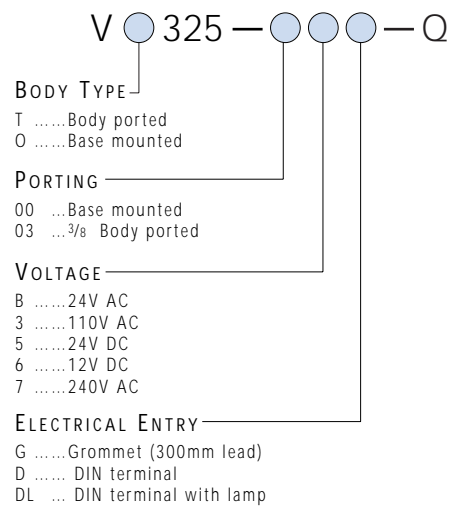
Electrical entry	Grommet, DIN terminal,		
Voltages	AC (50Hz)	24, 110, 240	
	DC	24, 12	
Voltage allowance	-15% - +10% of rated voltage		
Insulation	Class B or equivalent (130°)		
Temperature rise	Max. 80°C		
Apparent power	AC	Inrush	50Hz 75VA
		Holding	50Hz 27VA
Power consumption	DC	12W	

SYMBOLS



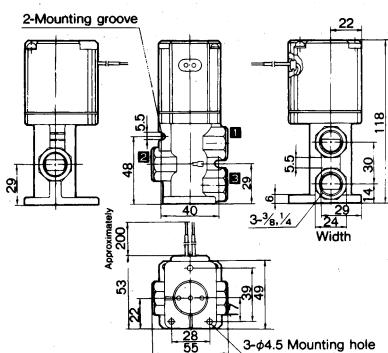
HOW TO ORDER

VT/VO325 SOLENOID VALVE



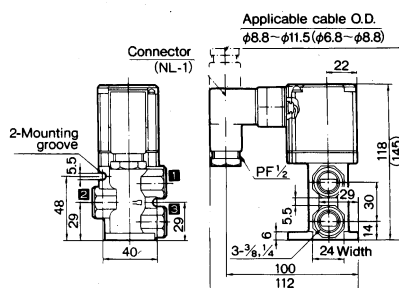
DIMENSIONS

SERIES VT/VO325 GROMMET TYPE



DIMENSIONS

SERIES VT/VO325 DIN TERMINAL

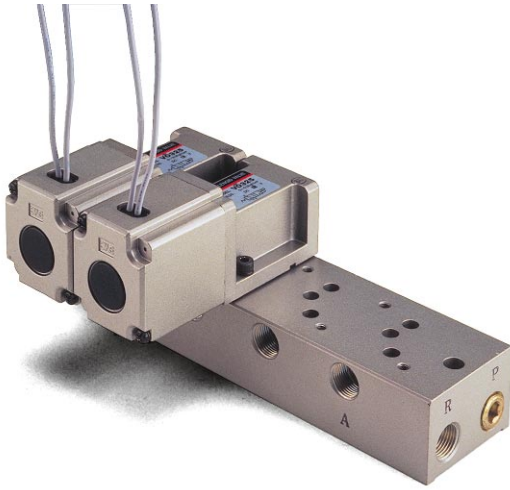


STOCKED PRODUCTS
FOR A LIST OF STOCKED PRODUCTS,
PLEASE SEE THE CURRENT SMC PRICE LIST

HOW TO ORDER
MANIFOLDS
SEE NEXT PAGE



FOR FURTHER TECHNICAL
DETAILS ON THIS
PRODUCT REQUEST
CATALOGUE REFERENCE
E110



SERIES VO325 MANIFOLDS

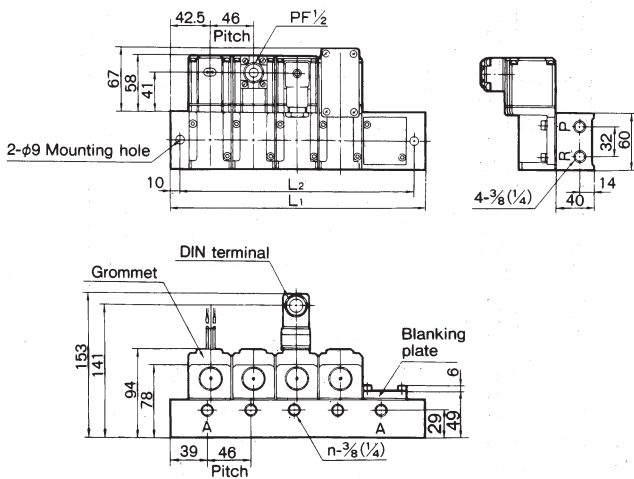
A 2-10 station manifold is available to connect the base mounted valve to a common air supply and exhaust.



NC → NO SWITCHING METHOD
Remove the two bolts holding the valve and rotate the valve 180°. Refasten the bolts securely

DIMENSIONS

VO325 MANIFOLD COMMON EXHAUST TYPE



L	n	2	3	4	5	6	7	8	9	10
L1		131	177	223	269	315	361	407	453	499
L2		111	157	203	249	295	341	387	433	479

Equation: L1=46n+39, L2=46n-19 L:Dimensions (mm) n:Stations

HOW TO ORDER

VO325 MANIFOLDS

VVT34 ● — ● — ● — ●

PORTING

0Side ported

STATIONS

02 ...2 station
to
10 ...10 stations

EXHAUST TYPE

1Common exhaust

PORT SIZE

03 ...³/₈

STOCKED PRODUCTS

FOR A LIST OF STOCKED PRODUCTS,
PLEASE SEE THE CURRENT SMC PRICE LIST

ACCESSORIES

VO325 MANIFOLDS

DXT083-21ABlanking plate kit

STOCKED PRODUCTS

FOR A LIST OF STOCKED PRODUCTS,
PLEASE SEE THE CURRENT SMC PRICE LIST



SEE INSIDE FRONT COVER FOR
DETAILS OF YOUR LOCAL SALES OFFICE



FOR FURTHER TECHNICAL
DETAILS ON THIS
PRODUCT REQUEST
CATALOGUE REFERENCE
E110