

## Low Loss Flexible Version 086 Semi-rigid Coax Cable Double Shielded with Gray FEP Jacket

### TECHNICAL DATA SHEET

PE-P086LL

Low Loss Flexible Version 086 Semi-rigid Coax Cable Double Shielded with Gray FEP Jacket

#### Configuration

Cable Design	Low Loss
Inner Conductor Material and Plating	Copper, Silver
Dielectric Type	FEP (AS)
Shield Materials	Silver Plated Copper Tape, Silver Plated Copper Braid
Jacket Material and Color	FEP, Gray

#### Electrical Specifications

Impedance, Ohms	50
Velocity of Propagation, %	85
Time Delay, ns/ft [ns/m]	1.18 [3.87]
Maximum Operating Frequency, GHz	18
Capacitance, pF/ft [pF/m]	23.4 [76.77]

#### Mechanical Specifications

##### Inner Conductor

Number of Strands	1
Material	Copper
Plating	Silver
Diameter, in [mm]	0.025 [0.64]

##### Dielectric:

Type	FEP (AS)
Diameter, in [mm]	0.066 [1.68]

##### Shield:

Number of	2
Material 1	Silver Plated Copper Tape
Material 2	Silver Plated Copper Braid
Diameter, in [mm]	0.086 [2.18]

##### Jacket:

Material	FEP
Diameter, in [mm]	0.101 [2.57]
Color	Gray
Weight, lbs/ft [Kg/m]	0.013 [0.02]

#### Compliance Certifications (visit [www.Pasternack.com](http://www.Pasternack.com) for current document)

RoHS Compliant	Yes
----------------	-----

Click the following link (or enter part number in "SEARCH" on website) to obtain additional part information including price, inventory and certifications: [Low Loss Flexible Version 086 Semi-rigid Coax Cable Double Shielded with Gray FEP Jacket PE-P086LL](#)

The information contained in this document is accurate to the best of our knowledge and representative of the part described herein. It may be necessary to make modifications to the part and/or the documentation of the part, in order to implement improvements. Pasternack reserves the right to make such changes as required. Unless otherwise stated, all specifications are nominal.

Low Loss Flexible Version 086 Semi-rigid Coax  
Cable Double Shielded with Gray FEP Jacket

TECHNICAL DATA SHEET

PE-P086LL

**Plotted and Other Data**

Notes:

Values at 25 °C, sea level

FEP (AS) Dielectric is equivalent to an FEP Core Tube over Dual Monofilaments twisted in a pair and helically wrapped to create an Air Space

Low Loss Flexible Version 086 Semi-rigid Coax Cable Double Shielded with Gray FEP Jacket from Pasternack Enterprises has same day shipment for domestic and International orders. Our RF, microwave and fiber optic products maintain a 99% availability and are part of the broadest selection in the industry.

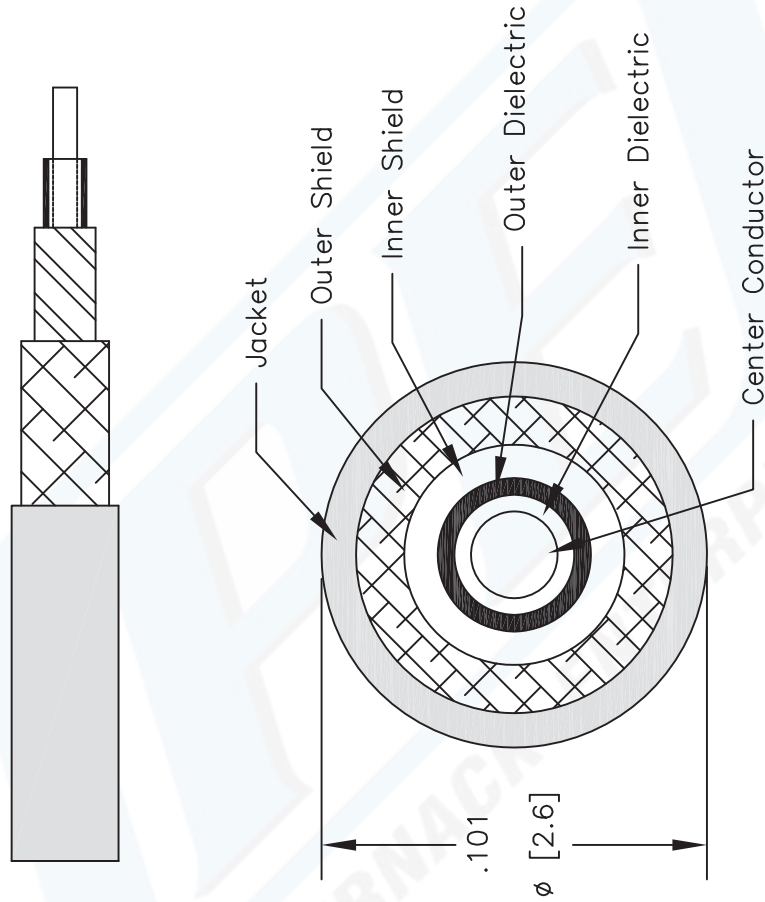
Click the following link (or enter part number in "SEARCH" on website) to obtain additional part information including price, inventory and certifications: [Low Loss Flexible Version 086 Semi-rigid Coax Cable Double Shielded with Gray FEP Jacket PE-P086LL](#)

URL: <http://www.pasternack.com/low-loss-0.101-semirigid-replacement-50-ohm-coax-cable-fep-jacket-pe-p086ll-p.aspx>

The information contained in this document is accurate to the best of our knowledge and representative of the part described herein. It may be necessary to make modifications to the part and/or the documentation of the part, in order to implement improvements. Pasternack reserves the right to make such changes as required. Unless otherwise stated, all specifications are nominal.

# PE-P086LL CAD Drawing

Low Loss Flexible Version 086 Semi-rigid Coax Cable  
Double Shielded with Gray FEP Jacket



NOTES:  
1. UNLESS OTHERWISE SPECIFIED ALL DIMENSIONS ARE NOMINAL.  
2. ALL SPECIFICATIONS ARE SUBJECT TO CHANGE WITHOUT NOTICE AT ANY TIME.  
3. DIMENSIONS ARE IN INCHES [mm].

DWG TITLE  
**PE-P086LL**

FSCM NO. 53919

2233

SIZE A

SCALE N/A

CAD FILE 100912-C



**PASTERNAK®**  
Pasternack Enterprises, Inc.  
P.O. Box 16759 | Irvine | CA | 92623  
Phone: (949) 261-1920 | Fax: (949) 261-7451  
Website: [www.pasternack.com](http://www.pasternack.com) | E-Mail: [sales@pasternack.com](mailto:sales@pasternack.com)