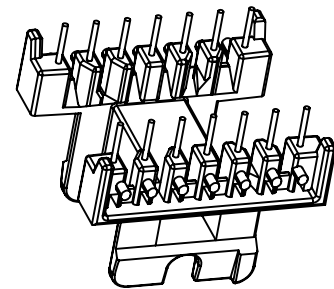
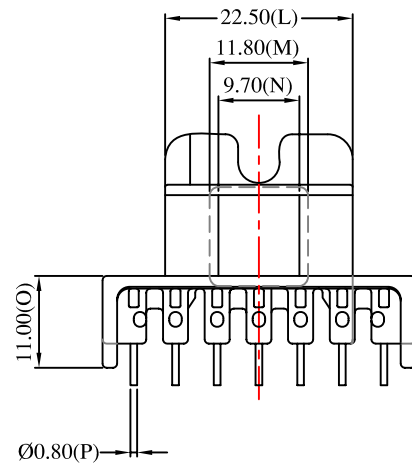
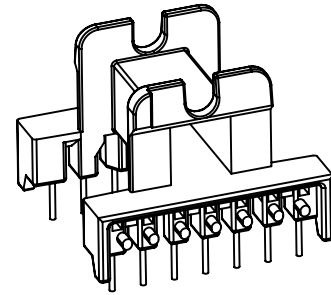
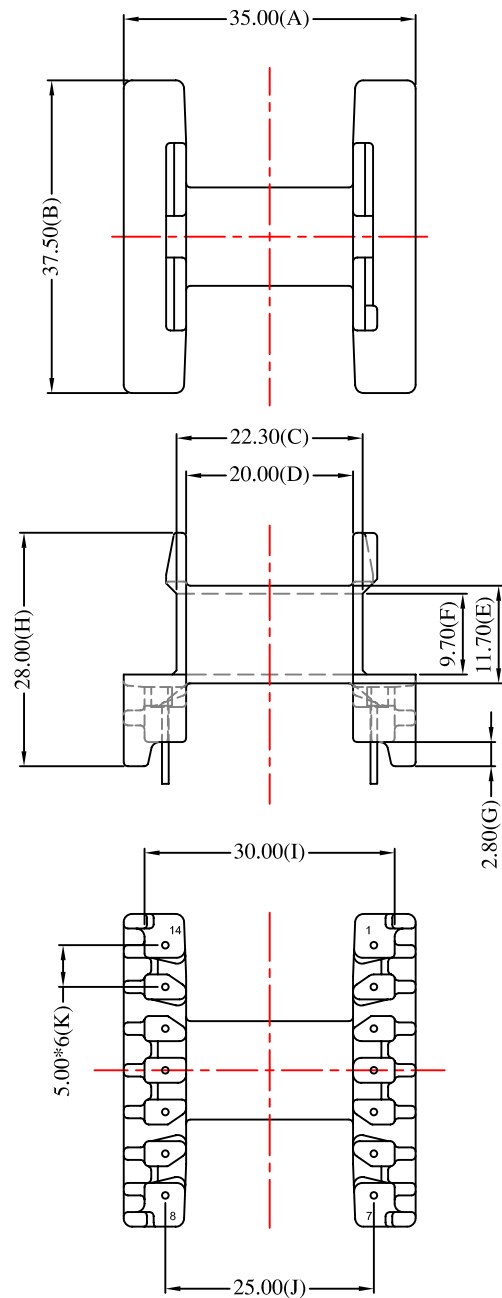


FERYSTER



BOBBIN MATERIAL: PHENOLIC
 PIN MATERIAL: CP WIRE
 UL REC. UL 94V-0

TOLERANCES

$0 < L \leq 4$	± 0.1	$30 < L \leq 50$	± 0.4
$4 < L \leq 16$	± 0.2	$50 < L$	± 0.5
$16 < L \leq 30$	± 0.3		