

■ IP-65 Washable Embedded Controller With Intel® Celeron® M Processor



Features

- Fanless
- Wide Power Input Range
- Mini Size Outline
- Robust Architecture
- Low Power Consumption



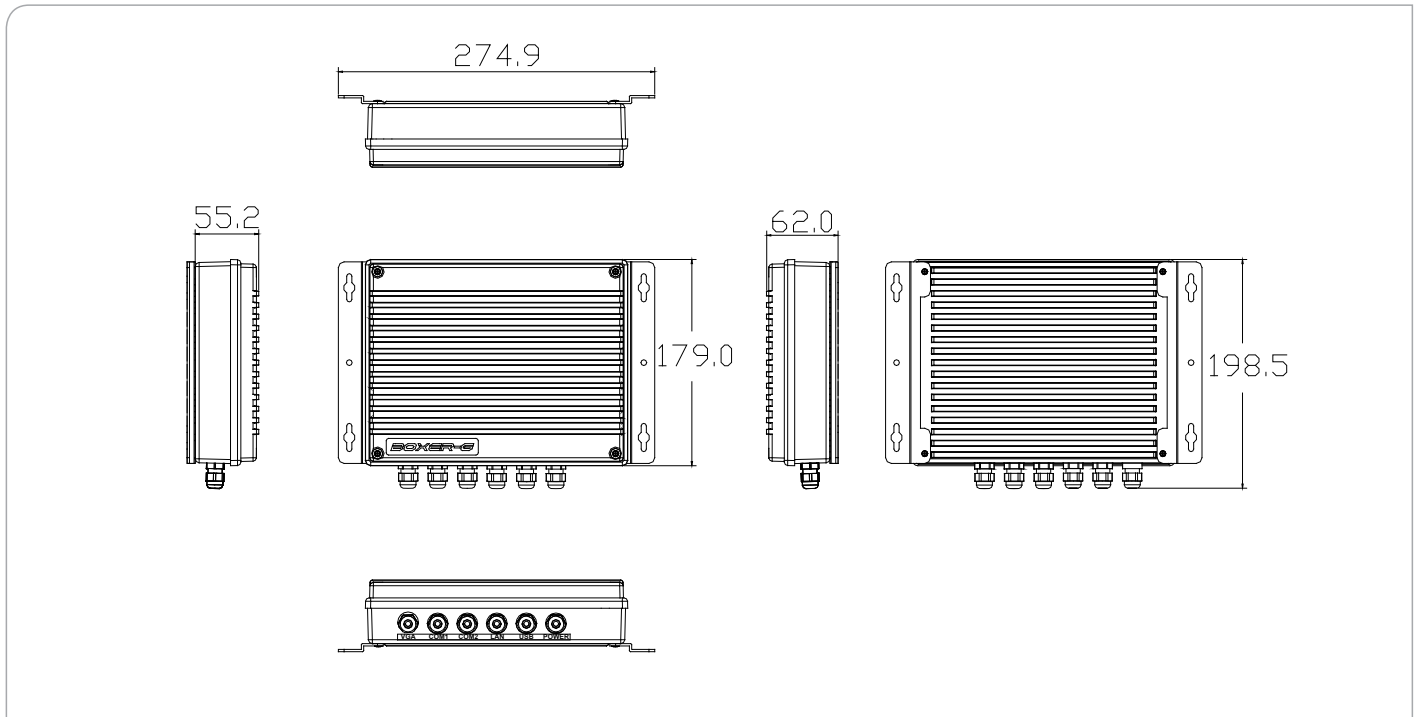
Specifications

System	
Processor	Intel® Celeron® M processor 1.0 GHz
System Memory	DDR266 SODIMM, up to 1 GB
VGA	DB-15 VGA x 1
Ethernet	10/100 Base-TX Ethernet, RJ-45 x 1
SSD	CompactFlash™ x 1
Serial	COM1: RS-232, COM2: RS-232/422/485
USB	USB2.0 x 1
Watchdog Timer	Yes
Power Supply	DC 9-30V input
Power Consumption (Typical)	Intel® Celeron® M 1.0 GHz 0.87A@12V
MTBF (Hours)	80,000
OS Support	Windows® XP, XP Embedded, WinCE, Linux
Mechanical	
Construction	Rugged Aluminum Alloy Chassis
Color	Black
Mounting	Wallmount
Dimension	10.83" x 78.35" x 2.45" (275mm x 199mm x 62mm)
Carton Dimension	13.23" x 11.57" x 10.24" (336mm x 294mm x 260mm)
Net Weight	5.07 lb (2.3 Kg)
Environmental	
Water & Dust Proof	IP-65 Certified
Operating Temperature	5°F ~ 140°F (-15°C ~ 60°C) (CompactFlash™)
Storage Temperature	-40°F ~ 185°F (-40°C ~ 85°C)
Storage Humidity	5~95%@40°C, Non-condensing
Vibration	5 grms/ 5~500Hz/ Random Operation - CompactFlash™
Shock	50g Peak Acceleration (11 msec. Duration) - CompactFlash™
EMC	CE/ FCC Class A

AEC-6520

Dimension

Unit: mm



Ordering Information

- **TF-AEC-6520-A1-1110**
Embedded Controller, Celeron® M 1.0 GHz, Fanless, 2COM, 1USB, 1LAN, 1VGA, DC9-30V, with cable kit
- **TF-AEC-6520-A2-1110**
Embedded Controller, Celeron® M 1.0 GHz, Fanless, 2COM, 1USB, 1LAN, 1VGA, DC9-30V, without cable kit

Optional Accessories

- **1757903602**
(TF) Power Adapter, 12V, 36W, FSP, FSP036-1AD101C, for AEC-6510/6520
- **1702031802**
Power Cord (US Type)
- **1702031803**
Power Cord (European Type)
- **170203180E**
Power Cord (Japanese Type)
- **1700080304**
LAN Cable for AEC-6520 & AEC-6510 (30cm)
- **1700100402**
USB Cable for AEC-6520/6510 (40cm)
- **1700150305**
VGA Cable for AEC-6520/6510 (30cm)
- **1700090307**
RS-232 Cable for AEC-6520/6510 (30cm)
- **1700090404**
DB-9 Cable for AEC-6520/6510 (30cm)