

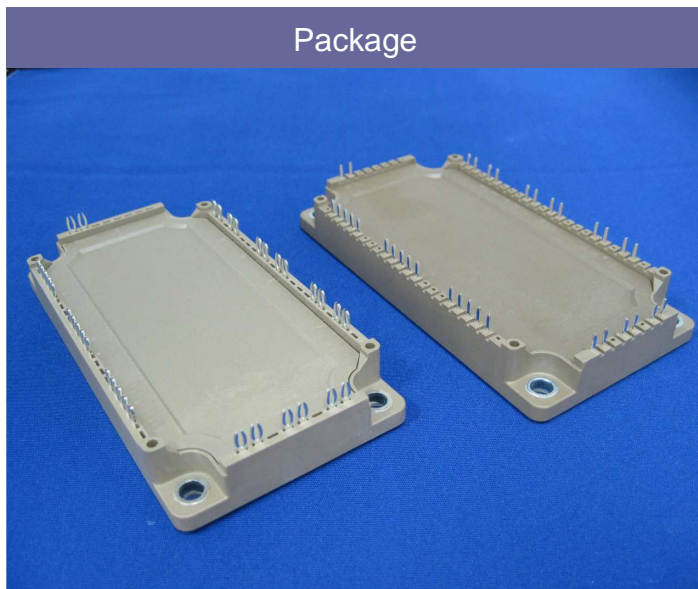
IGBT Module series for AT-NPC 3-level 12-in-1

■ Features

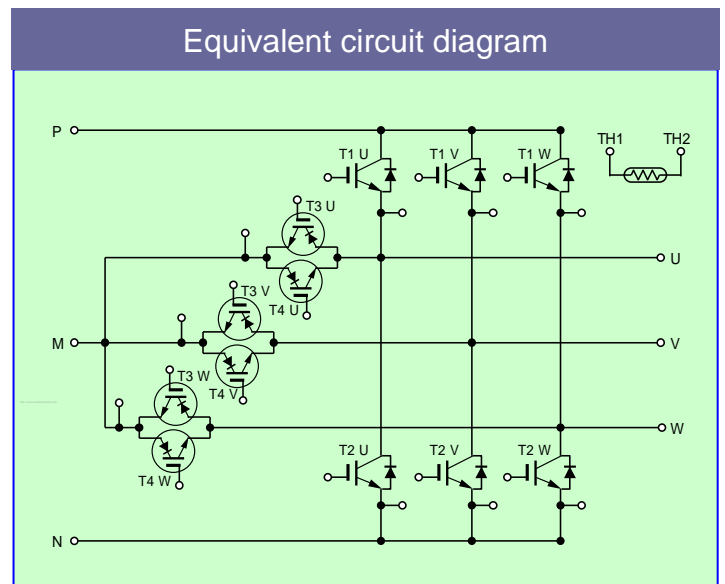
- ✓ Significant Low Power Loss and Size Reduction of Equipment
Integrates 3-phase of AT-NPC 3-level conversion circuitry realized with Fuji Electric's proprietary reverse-blocking IGBT (RB-IGBT) technology reducing large amount of power loss.
- ✓ Two Types of Terminal Pins Available
Provides product lineups equipped with solder pins or press-fit pins depending on assembly line.

■ Main Applications

Inverters, UPS, Power conditioners for household-use photovoltaic systems, etc.



Package



Equivalent circuit diagram

■ Product lineups

Product model	Package dimensions (mm)	Transistor	Voltage rating	Current rating
12MBI100VN-120-50 (Solder pin)	122.5 x 62.5 x 17	IGBT	1200V	100A
		RB-IGBT	600V	100A
12MBI100VX-120-50 (Press-fit pin)	122.5 x 62.5 x 17	IGBT	1200V	100A
		RB-IGBT	600V	100A
12MBI75VN-120-50 (Solder pin)	122.5 x 62.5 x 17	IGBT	1200V	75A
		RB-IGBT	600V	75A
12MBI75VX-120-50 (Press-fit pin)	122.5 x 62.5 x 17	IGBT	1200V	75A
		RB-IGBT	600V	75A
12MBI50VN-120-50 (Solder pin)	122.5 x 62.5 x 17	IGBT	1200V	50A
		RB-IGBT	600V	50A
12MBI50VX-120-50 (Press-fit pin)	122.5 x 62.5 x 17	IGBT	1200V	50A
		RB-IGBT	600V	50A