

PLEASE CHECK WWW.MOLEX.COM FOR LATEST PART INFORMATION

Part Number: [0747121009](#)
Status: **Active**
Overview: [ganged_rf](#)
Description: 6.25mm (.246") Pitch Ganged RF Header, Vertical, 6 Circuits, Long Tails, Without Packaging Header

Documents:

[Drawing \(PDF\)](#) [Product Specification PS-74854-001 \(PDF\)](#)
[Packaging Specification \(PDF\)](#) [RoHS Certificate of Compliance \(PDF\)](#)

General

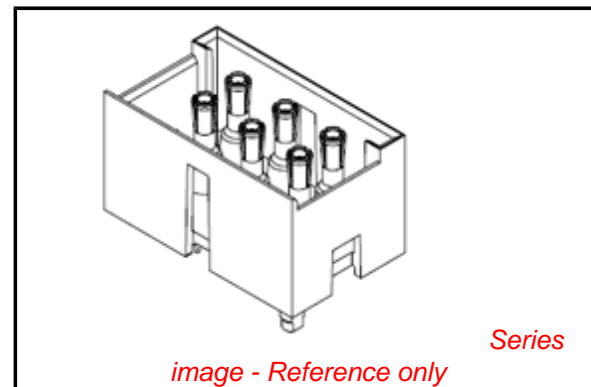
| | |
|----------------|---------------------------|
| Product Family | Backplane Connectors |
| Series | 74712 |
| Application | Backplane |
| Comments | Ports Numbered 5 Loaded |
| Component Type | PCB Header |
| Overview | ganged_rf |
| Product Name | Ganged RF |
| Style | N/A |

Physical

| | |
|--------------------------------|--------------------------------|
| Circuits (Loaded) | 2 |
| Circuits (maximum) | 6 |
| Circuits Detail | 6 |
| Color - Resin | Natural |
| Durability (mating cycles max) | 500 |
| First Mate / Last Break | No |
| Guide to Mating Part | No |
| Keying to Mating Part | Yes |
| Material - Metal | Copper |
| Material - Resin | High Temperature Thermoplastic |
| Number of Columns | 3 |
| Number of Pairs | N/A |
| Number of Rows | 2 |
| Orientation | Vertical |
| PC Tail Length (in) | 0.141 In |
| PC Tail Length (mm) | 3.58 mm |
| PCB Locator | Yes |
| PCB Retention | None |
| PCB Thickness Recommended (in) | 0.177 In |
| PCB Thickness Recommended (mm) | 4.50 mm |
| Packaging Type | Tray |
| Pitch - Mating Interface (in) | 0.246 In |
| Pitch - Mating Interface (mm) | 6.25 mm |
| Pitch - Term. Interface (in) | 0.049 In, 0.148 In |
| Pitch - Term. Interface (mm) | 1.25 mm, 3.75 mm |
| Polarized to PCB | Yes |
| Stackable | No |
| Surface Mount Compatible (SMC) | No |
| Temperature Range - Operating | -40°C to +85°C |
| Termination Interface: Style | Through Hole - Compliant Pin |

Electrical

| | |
|-------------------------------|----------|
| Current - Maximum per Contact | 1A |
| Data Rate | 3.0 Gbps |
| Real Signals (per 25mm) | 8 |



EU RoHS

RoHS Compliant by Exemption
REACH SVHC
 Not Reviewed
Halogen-Free
Status
Not Reviewed

China RoHS



Need more information on product environmental compliance?

Email productcompliance@molex.com
 For a multiple part number RoHS Certificate of Compliance, [click here](#)

Please visit the [Contact Us](#) section for any non-product compliance questions.

Search Parts in this Series

[74712Series](#)

Mates With

[74642 Ganged RF Receptacle](#)

Shielded
Voltage - Maximum

No
50V AC

Material Info

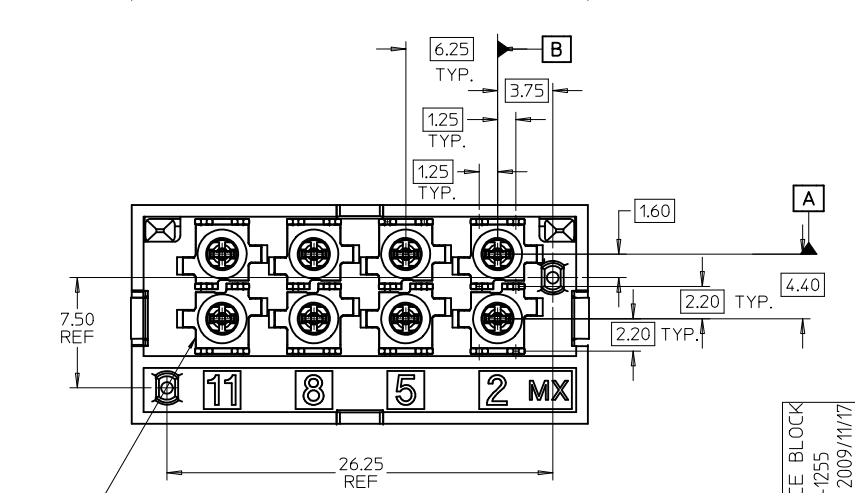
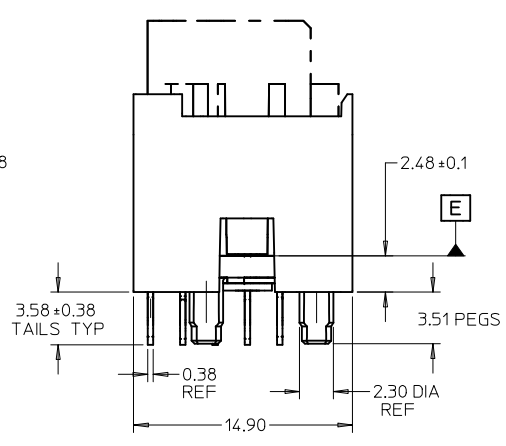
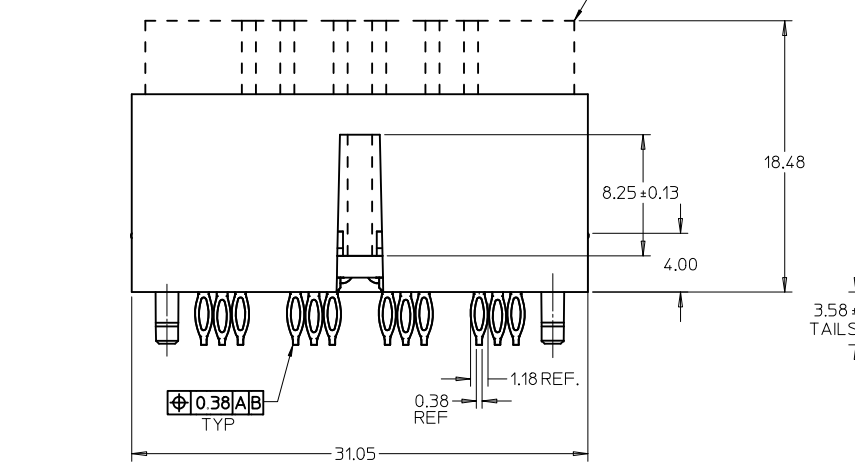
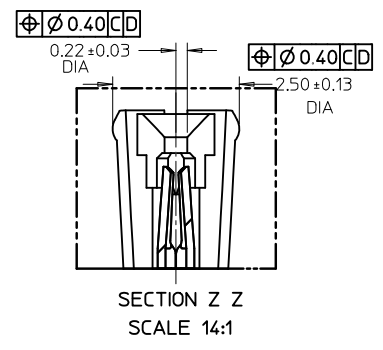
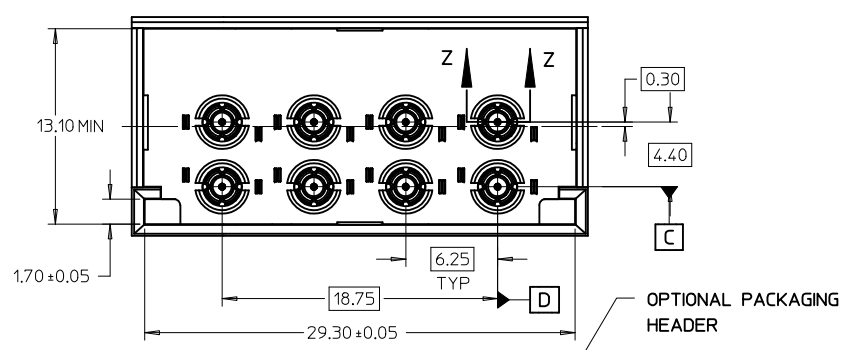
Reference - Drawing Numbers

Packaging Specification
Product Specification
Sales Drawing

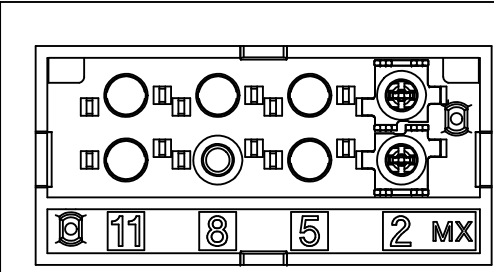
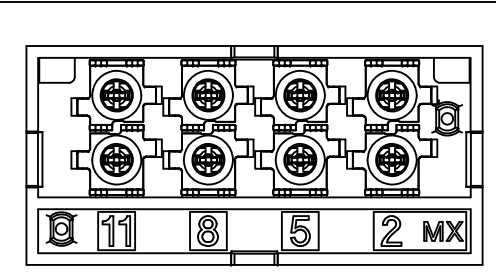
PK-74712-102
PS-74854-001
SD-74712-003

This document was generated on 05/15/2010

PLEASE CHECK WWW.MOLEX.COM FOR LATEST PART INFORMATION

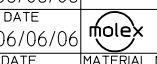


CONTACT LOADING OPTIONS FOR 8 POS CONNECTORS



MAT'L NO. 747120001/0003
POSITION 2,5,8 & 11 LOADED

MAT'L NO. 747120002
POSITION 2 LOADED



MOLEX INCORPORATED

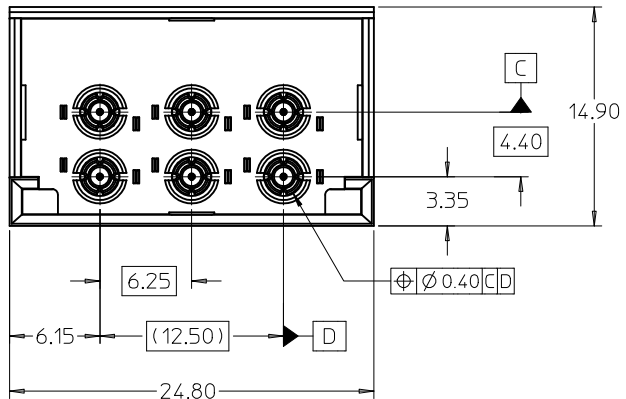
SEE CHART SD-74712-003

NOTES:

- MATERIAL:
 - HOUSING: GLASS FILLED THERMO PLASTIC, 94V-0
 - INSULATOR: GLASS FILLED THERMO PLASTIC, 94V-0
 - PACKAGING HEADER: GLASS FILLED THERMO PLASTIC, 94V-0
 - TERMINALS AND GROUND: TIN BRASS
 - OUTER GROUND CONTACT: PHOSPHOR BRONZE
- PLATING:
 - TERMINALS:
 - SELECTIVE 0.76 MICRONS MIN. GOLD IN CONTACT AREA
 - SELECTIVE 0.88 MICRONS MIN. TIN BOTH OVER
 - 1.27 MICRONS MIN. NICKEL UNDERPLATE
 - GROUNDS:
 - 0.88 MICRONS MIN. TIN OVERALL OVER
 - 1.27 MICRONS MIN. NICKEL UNDERPLATE
 - OUTER GROUND CONTACT:
 - 0.76 MICRONS MIN. GOLD OVERALL OVER
 - 1.27 MICRONS MIN. NICKEL UNDERPLATE
- REFER TO PRODUCT SPEC.: PS-74854-001 FOR ELECTRICAL, MECHANICAL AND ENVIRONMENTAL REQUIREMENTS.
- REFER TO PACKAGING SPEC STATED IN CHARTS FOR DETAILS OF THE PACKAGING REQUIREMENTS.
- DATE CODE MARKING TO BE LOCATED ANYWHERE ON PLASTIC HOUSING. FIRST TWO DIGITS = WEEK NUMBER. LAST TWO DIGITS = YEAR.
- THIS PART CONFORMS TO CLASS B REQUIREMENTS OF MOLEX COSMETIC SPECIFICATION PS-45499-002.

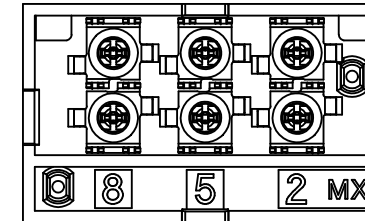
| ADD TOLERANCE BLOCK EC NO: UCP2010-1255 DRWN: JENDOZA 2009/11/17 CHKD: 2009/11/23 APPR: BINGHAM 2009/11/23 | QUALITY SYMBOLS | GENERAL TOLERANCES (UNLESS SPECIFIED) | SCALE 4:1 | DESIGN UNITS METRIC | THIRD ANGLE PROJECTION | REVISE ON CAD ONLY | | | | | | | | | | | | | | | |
|--|---|---|-----------|---------------------|------------------------|--------------------|------------|-------------|------------|---|--------------|--------------|-----------|-----------|--------------|--------|-------|-------------------------|-------|--|--|
| | ▼ - 0 ∇ - 0 | <table border="1"> <tr> <th></th> <th>mm</th> <th>INCH</th> </tr> <tr> <td>4 PLACES</td> <td>± ---</td> <td>± ---</td> </tr> <tr> <td>3 PLACES</td> <td>± ---</td> <td>± ---</td> </tr> <tr> <td>2 PLACES</td> <td>± 0.13</td> <td>± ---</td> </tr> <tr> <td>1 PLACE</td> <td>± 0.25</td> <td>± ---</td> </tr> </table> | | mm | INCH | 4 PLACES | ± --- | ± --- | 3 PLACES | ± --- | ± --- | 2 PLACES | ± 0.13 | ± --- | 1 PLACE | ± 0.25 | ± --- | DIMENSION STYLE MM ONLY | TITLE | SALES DRAWING FOR VERTICAL GANGED RF CONNECTOR, LONG TAILS | |
| | | | mm | INCH | | | | | | | | | | | | | | | | | |
| | | 4 PLACES | ± --- | ± --- | | | | | | | | | | | | | | | | | |
| 3 PLACES | ± --- | ± --- | | | | | | | | | | | | | | | | | | | |
| 2 PLACES | ± 0.13 | ± --- | | | | | | | | | | | | | | | | | | | |
| 1 PLACE | ± 0.25 | ± --- | | | | | | | | | | | | | | | | | | | |
| DRAFT WHERE APPLICABLE | <table border="1"> <tr> <th>DESCRIPTION</th> <th>DATE</th> </tr> <tr> <td>DRAWN BY</td> <td>2006/06/06</td> </tr> <tr> <td>CHECKED BY</td> <td>2006/06/06</td> </tr> <tr> <td>APPROVED BY</td> <td>2009/11/23</td> </tr> </table> | DESCRIPTION | DATE | DRAWN BY | 2006/06/06 | CHECKED BY | 2006/06/06 | APPROVED BY | 2009/11/23 | <table border="1"> <tr> <th>MATERIAL NO.</th> <th>DOCUMENT NO.</th> <th>SHEET NO.</th> </tr> <tr> <td>SEE CHART</td> <td>SD-74712-003</td> <td>1 OF 5</td> </tr> </table> | MATERIAL NO. | DOCUMENT NO. | SHEET NO. | SEE CHART | SD-74712-003 | 1 OF 5 | | | | | |
| DESCRIPTION | DATE | | | | | | | | | | | | | | | | | | | | |
| DRAWN BY | 2006/06/06 | | | | | | | | | | | | | | | | | | | | |
| CHECKED BY | 2006/06/06 | | | | | | | | | | | | | | | | | | | | |
| APPROVED BY | 2009/11/23 | | | | | | | | | | | | | | | | | | | | |
| MATERIAL NO. | DOCUMENT NO. | SHEET NO. | | | | | | | | | | | | | | | | | | | |
| SEE CHART | SD-74712-003 | 1 OF 5 | | | | | | | | | | | | | | | | | | | |
| MUST REMAIN WITHIN DIMENSIONS | THIS DRAWING CONTAINS INFORMATION THAT IS PROPRIETARY TO MOLEX INCORPORATED AND SHOULD NOT BE USED WITHOUT WRITTEN PERMISSION | | | | | | | | | | | | | | | | | | | | |

8 POS. CONNECTOR SHOWN



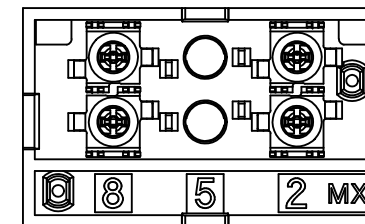
| 6 POSITION CONNECTOR | | | |
|----------------------|--------------------------------|---------------------------|-------------------------|
| MATERIAL NUMBER | POSITION OF LOADED TERMINAL(S) | OPTIONAL PACKAGING HEADER | PACKAGING SPECIFICATION |
| 74712-1001 | 2, 5, 8 | YES | PK-74712-101 |
| 74712-1002 | 2, 8 | YES | |
| 74712-1003 | 2 | YES | |
| 74712-1004 | 8 | YES | PK-74712-102 |
| 74712-1007 | 5 | YES | |
| 74712-1005 | 2, 5, 8 | YES | |
| 74712-1006 | 2 | YES | |

MATERIAL NUMBER: 74712-1001/-1005



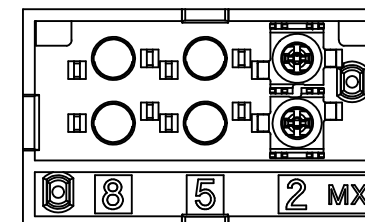
TERMINAL POSITIONS LOADED: 2, 5, 8

MATERIAL NUMBER: 74712-1002



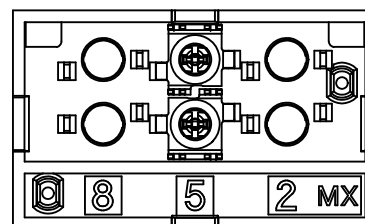
TERMINAL POSITIONS LOADED: 2, 8

MATERIAL NUMBER: 74712-1003/-1006



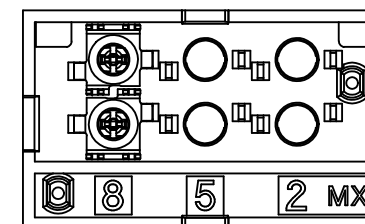
TERMINAL POSITION LOADED: 2

MATERIAL NUMBER: 74712-1007

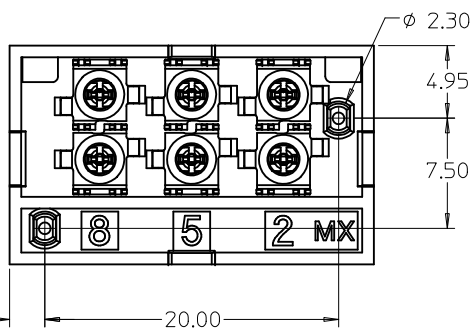
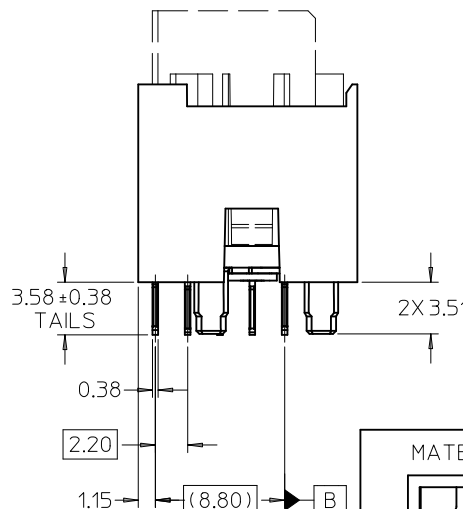
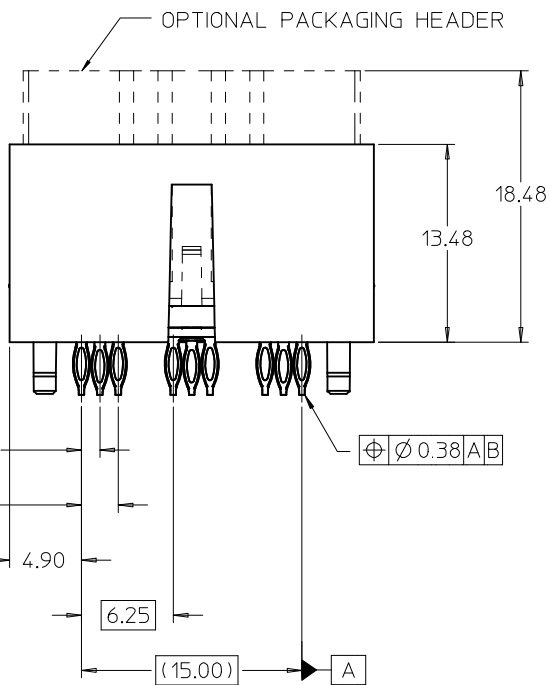


TERMINAL POSITION LOADED: 5

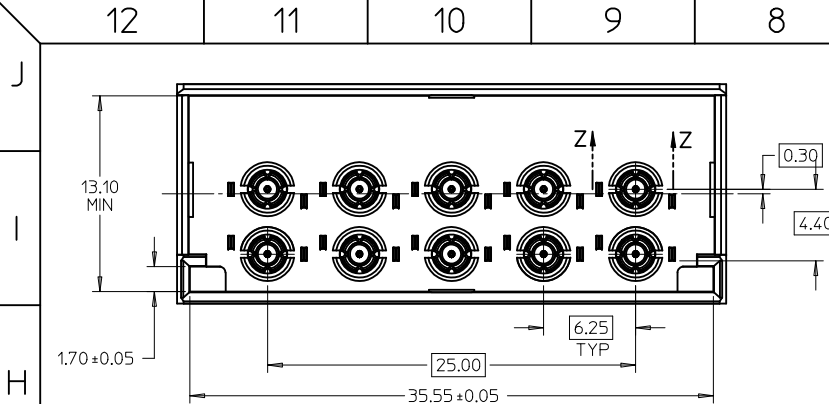
MATERIAL NUMBER: 74712-1004



TERMINAL POSITION LOADED: 8

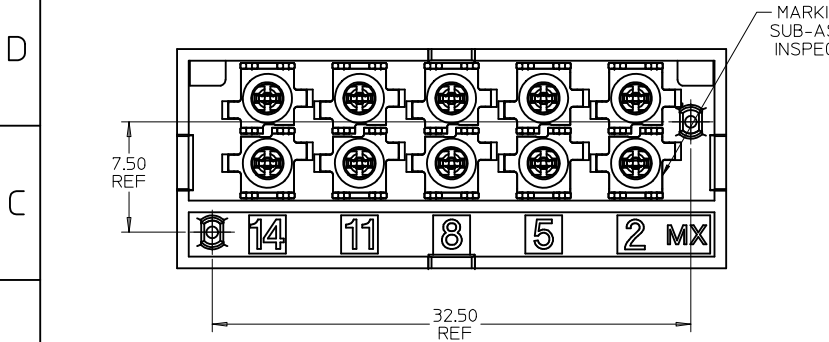
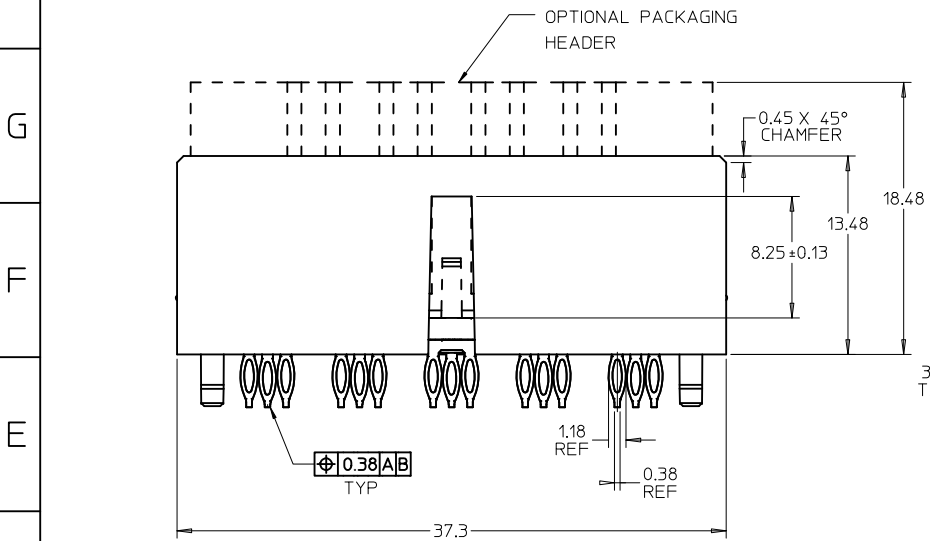


| SEE SHEET 1 EC NO: UCP2010-1255 DRWN: MENDOZA CHKD: 2009/11/23 APPR: JBINGHAM 2009/11/23 | QUALITY SYMBOLS ▽=0 ▽=0 | GENERAL TOLERANCES (UNLESS SPECIFIED) <table border="1"> <tr> <th></th> <th>mm</th> <th>INCH</th> </tr> <tr> <td>4 PLACES</td> <td>± 0.15</td> <td>± 0.006</td> </tr> <tr> <td>3 PLACES</td> <td>± 0.20</td> <td>± 0.008</td> </tr> <tr> <td>2 PLACES</td> <td>± 0.25</td> <td>± 0.010</td> </tr> <tr> <td>1 PLACE</td> <td>± 0.30</td> <td>± 0.012</td> </tr> </table> | | mm | INCH | 4 PLACES | ± 0.15 | ± 0.006 | 3 PLACES | ± 0.20 | ± 0.008 | 2 PLACES | ± 0.25 | ± 0.010 | 1 PLACE | ± 0.30 | ± 0.012 | DIMENSION STYLE MM ONLY | SCALE 4:1 | DESIGN UNITS METRIC | THIRD ANGLE PROJECTION |
|---|---|--|----------------------------------|--|--------------------|----------------------------|--------|---------|----------|--------|---------|----------|--------|---------|---------|--------|---------|-----------------------------------|---------------------|-------------------------------|------------------------|
| | | mm | INCH | | | | | | | | | | | | | | | | | | |
| | 4 PLACES | ± 0.15 | ± 0.006 | | | | | | | | | | | | | | | | | | |
| | 3 PLACES | ± 0.20 | ± 0.008 | | | | | | | | | | | | | | | | | | |
| 2 PLACES | ± 0.25 | ± 0.010 | | | | | | | | | | | | | | | | | | | |
| 1 PLACE | ± 0.30 | ± 0.012 | | | | | | | | | | | | | | | | | | | |
| DRAWN BY SREED DATE 2006/06/06 | CHECKED BY JBINGHAM DATE 2006/06/06 | APPROVED BY JBINGHAM DATE 2009/11/23 | MATERIAL NO. SEE CHART | TITLE SALES DRAWING FOR VERTICAL GANGED RF CONNECTOR, LONG TAILS | MOLEX INCORPORATED | SHEET NO. 2 OF 5 | | | | | | | | | | | | | | | |
| DRAFT WHERE APPLICABLE MUST REMAIN WITHIN DIMENSIONS | THIS DRAWING CONTAINS INFORMATION THAT IS PROPRIETARY TO MOLEX INCORPORATED AND SHOULD NOT BE USED WITHOUT WRITTEN PERMISSION | DOCUMENT NO. SD-74712-003 | | | | | | | | | | | | | | | | | | | |



NOTE: REFER TO SHEET 1 FOR ALL DIMENSIONS.
SECTION VIEW AND NOTES NOT SHOWN.

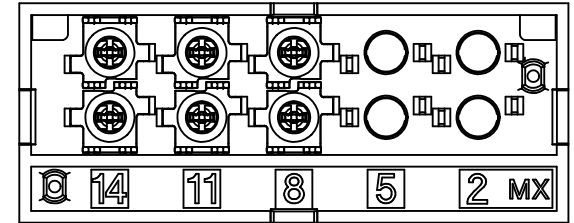
| | | |
|--------------|------------------------------|--------------|
| MATERIAL NO. | TERMINAL LOADING BY POSITION | PACKAGING |
| 74712-3001 | 2, 5, 8, 11, 14 | PK-74712-210 |
| 74712-3002 | 8, 11, 14 | PK-74712-210 |



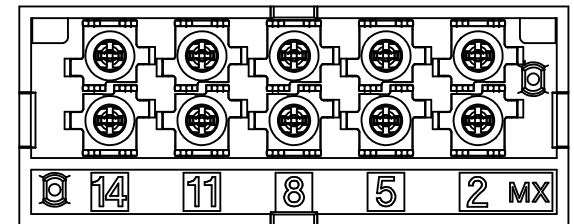
MARKING ON BOTTOM OF SUB-ASSEMBLY INDICATES INSPECTION ACCEPTANCE

10 POSITION CONNECTOR SHOWN

CONTACT LOADING OPTIONS FOR 10 POSITION CONNECTORS

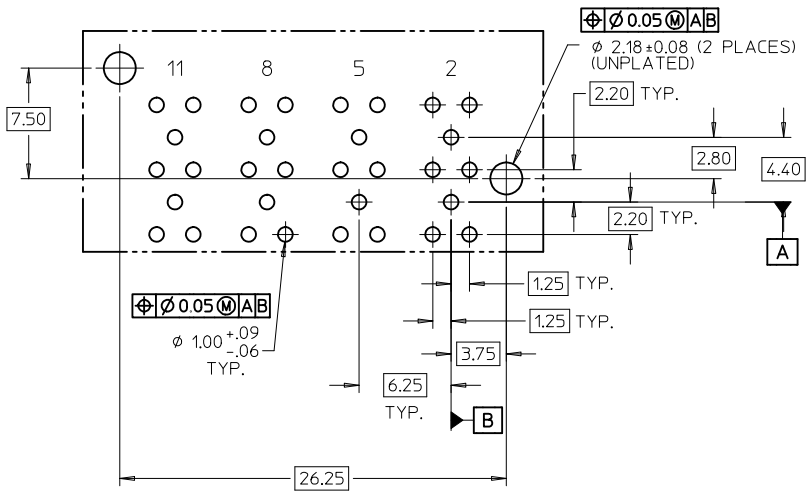


MAT'L NO. 747123002
POSITIONS 8,11,14 LOADED

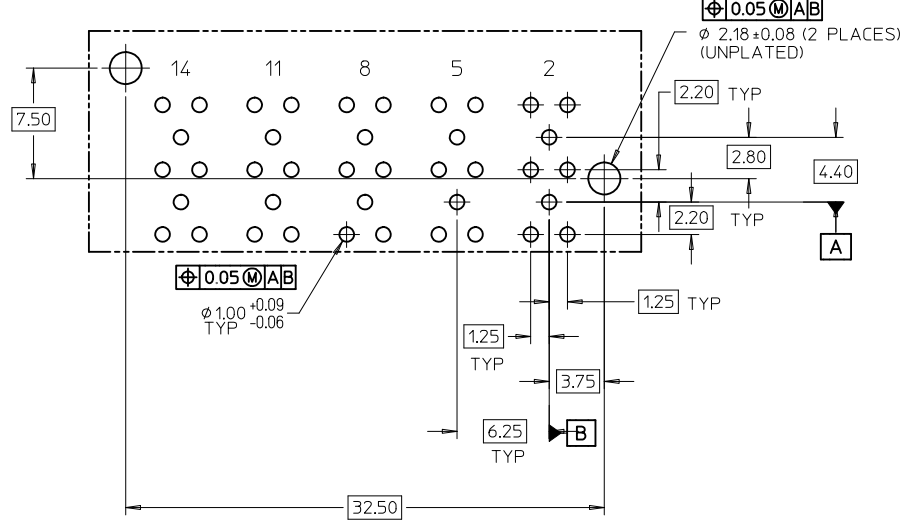


MAT'L NO. 747123001
POSITIONS 2,5,8,11,14 LOADED

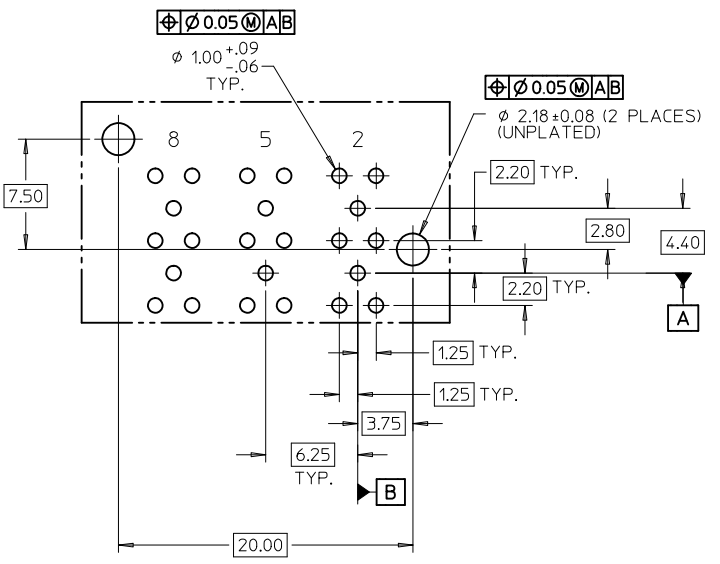
| | | | | | | | |
|--|-----------------|---------------------------------------|----------------------|--|-------------------------|---|--|
| SEE SHEET 1 EC NO: UCP2010-1255 DRWN: JMENDOZA 2009/11/17 CHKD: 2009/11/23 APPR: JBINGHAM 2009/11/23 | QUALITY SYMBOLS | GENERAL TOLERANCES (UNLESS SPECIFIED) | | SCALE 4:1 | DESIGN UNITS METRIC | THIRD ANGLE PROJECTION | REVISE ON CAD ONLY |
| | ▽ - 0 ∇ - 0 | | mm | INCH | DIMENSION STYLE MM ONLY | | SALES DRAWING FOR VERTICAL GANGED RF CONNECTOR, LONG TAILS MOLEX INCORPORATED |
| | | 4 PLACES | ±--- | ±--- | DRAWN BY SREED | DATE 2006/06/06 | |
| | | 3 PLACES | ±--- | ±--- | CHECKED BY JBINGHAM | DATE 2006/06/06 | |
| 2 PLACES | ±0.13 | ±--- | APPROVED BY JBINGHAM | DATE 2009/11/23 | MATERIAL NO. SEE CHART | DOCUMENT NO. SD-74712-003 | |
| | 1 PLACE | ±0.25 | ±--- | DRAFT WHERE APPLICABLE MUST REMAIN WITHIN DIMENSIONS | | THIS DRAWING CONTAINS INFORMATION THAT IS PROPRIETARY TO MOLEX INCORPORATED AND SHOULD NOT BE USED WITHOUT WRITTEN PERMISSION | |



RECOMMENDED PCB LAYOUT
FOR THE 8 POSITION CONNECTOR
COMPONENT SIDE
MAX. BOARD THICKNESS: 4.50



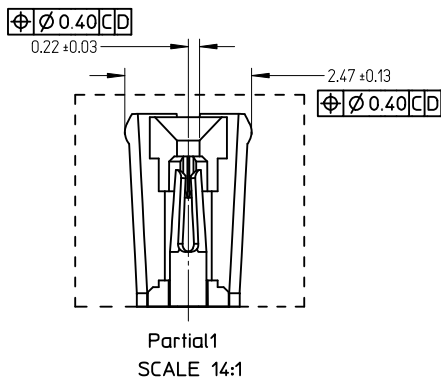
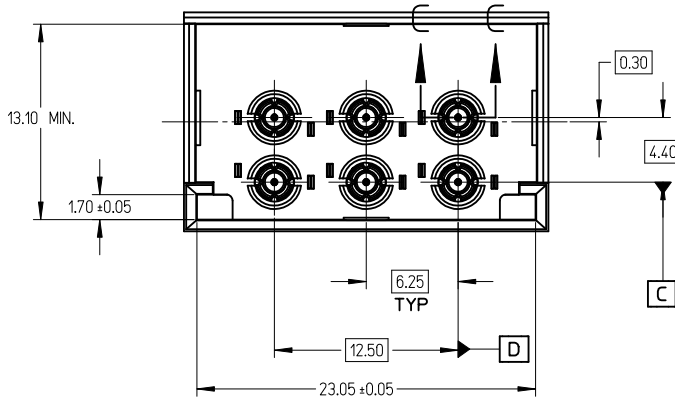
RECOMMENDED PCB LAYOUT
FOR THE 10 POSITION CONNECTOR
COMPONENT SIDE
MAX. BOARD THICKNESS: 4.50



RECOMMENDED PCB LAYOUT
FOR THE 6 POSITION CONNECTOR
COMPONENT SIDE
MAX. BOARD THICKNESS: 4.50

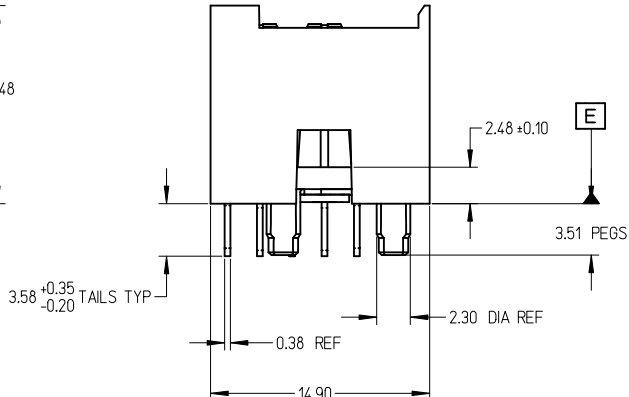
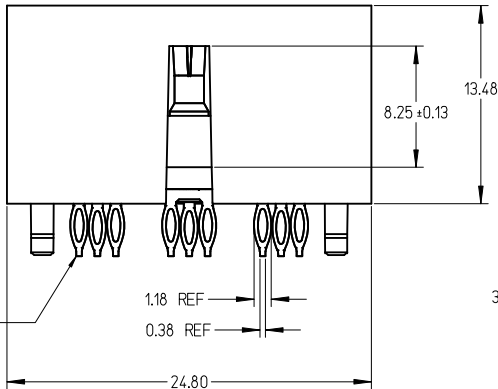
NOTE: DEPENDING ON CONNECTOR PART NUMBER, ALL HOLES MAY NOT BE REQUIRED. REFER TO SHEETS 1-3 FOR LOADED TERMINAL POSITIONS. REFER TO TERMINAL POSITIONS SPECIFIED ON EACH PCB LAYOUT TO DETERMINE WHICH HOLES ARE NEEDED.

| | | | | | | | |
|---|-------------------------------|---------------------------------------|---|---------------------------|--------------------------------------|--|--------------------|
| SEE SHEET 1 EC NO: UCP2010-1255 DRAWN: JMENDOZA 2009/11/17 CHKD: 2009/11/23 APPR: JBINGHAM 2009/11/23 | QUALITY SYMBOLS | GENERAL TOLERANCES (UNLESS SPECIFIED) | | SCALE 4:1 | DESIGN UNITS METRIC | THIRD ANGLE PROJECTION | REVISE ON CAD ONLY |
| | DESCRIPTION ▽ - 0 ∇ - 0 | mm | INCH | DIMENSION STYLE MM ONLY | | TITLE | |
| | | 4 PLACES ± --- | ± --- | DRAWN BY SREED | DATE 2006/06/06 | SALES DRAWING FOR VERTICAL GANGED RF CONNECTOR, LONG TAILS | |
| | | 3 PLACES ± --- | ± --- | CHECKED BY JBINGHAM | DATE 2006/06/06 | | |
| 2 PLACES ± 0.13 | ± --- | APPROVED BY JBINGHAM | | DATE 2009/11/23 | MATERIAL NO. SEE CHARTS SD-74712-003 | | |
| 1 PLACE ± 0.25 | ± --- | ANGULAR ± 2 ° | | DOCUMENT NO. SD-74712-003 | | SHEET NO. 4 OF 5 | |
| DRAFT WHERE APPLICABLE | MUST REMAIN WITHIN DIMENSIONS | | THIS DRAWING CONTAINS INFORMATION THAT IS PROPRIETARY TO MOLEX INCORPORATED AND SHOULD NOT BE USED WITHOUT WRITTEN PERMISSION | | | | |

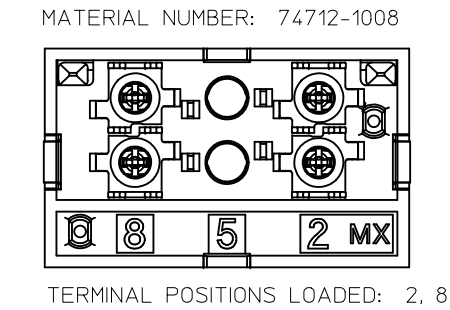
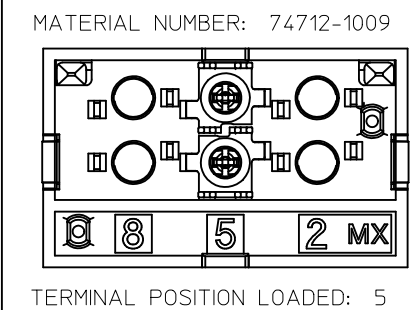
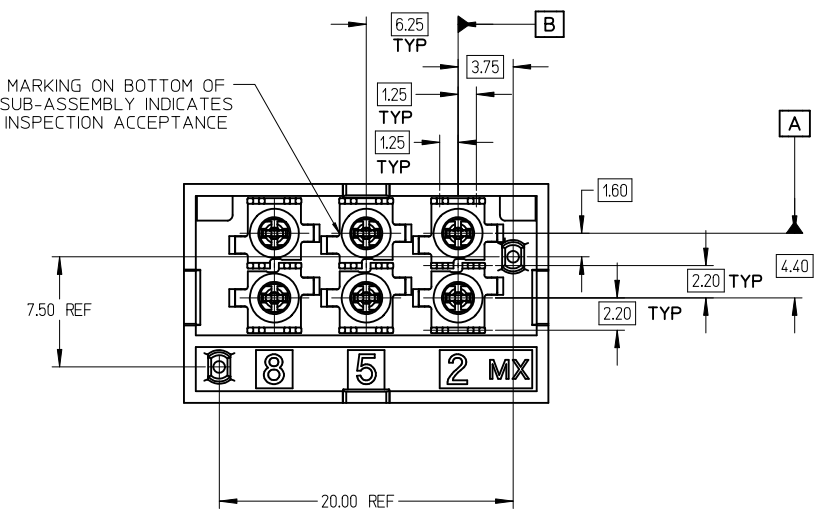


| 6 POSITION CONNECTOR | | | |
|----------------------|--------------------------------|---------------------------|-------------------------|
| MATERIAL NUMBER | POSITION OF LOADED TERMINAL(S) | OPTIONAL PACKAGING HEADER | PACKAGING SPECIFICATION |
| 74712-1008 | 2, 8 | NO | PK-74712-101 |
| 74712-1009 | 5 | NO | |

- NOTES:
- MATERIAL:
 - HOUSING: GLASS FILLED THERMO PLASTIC, 94V-0
 - INSULATOR: GLASS FILLED THERMO PLASTIC, 94V-0
 - TERMINALS AND GROUND: TIN BRASS
 - OUTER GROUND CONTACT: PHOSPHOR BRONZE
 - PLATING:
 - TERMINALS:
 - SELECTIVE 0.76 MICRONS MIN. GOLD IN CONTACT AREA
 - SELECTIVE 0.88 MICRONS MIN. TIN BOTH OVER
 - 1.27 MICRONS MIN. NICKEL UNDERPLATE
 - GROUNDS:
 - 0.88 MICRONS MIN. TIN OVERALL OVER
 - 1.27 MICRONS MIN. NICKEL UNDERPLATE
 - OUTER GROUND CONTACT:
 - 0.76 MICRONS MIN. GOLD OVERALL OVER
 - 1.27 MICRONS MIN. NICKEL UNDERPLATE
 - REFER TO PRODUCT SPEC.: PS-74854-001 FOR ELECTRICAL, MECHANICAL AND ENVIRONMENTAL REQUIREMENTS.
 - REFER TO PACKAGING SPEC STATED IN CHARTS FOR DETAILS OF THE PACKAGING REQUIREMENTS.
 - DATE CODE MARKING TO BE LOCATED ANYWHERE ON PLASTIC HOUSING. FIRST TWO DIGITS = WEEK NUMBER. LAST TWO DIGITS = YEAR.
 - THIS PART CONFORMS TO CLASS B REQUIREMENTS OF MOLEX CONNECTOR SPECIFICATION PS-45499-002.



6 POS. CONNECTOR SHOWN



| | | | | | | |
|---|--------------------------|--|--|--------------|--|------------------------|
| SEE SHEET 1 EC NO: UCP2010-1255 DRAWN: J MENDOZA CHKD: 2009/11/23 APPR: J BINGHAM 2009/11/23 | QUALITY SYMBOLS | GENERAL TOLERANCES (UNLESS SPECIFIED) | DIMENSION STYLE | SCALE | DESIGN UNITS | THIRD ANGLE PROJECTION |
| | $\nabla=0$ $\nabla=0$ | mm INCH 4 PLACES ± --- ± --- 3 PLACES ± --- ± --- 2 PLACES ± 0.13 ± --- 1 PLACE ± 0.25 ± --- ANGULAR ± 2° | MM ONLY | 4:1 | METRIC | |
| | DESCRIPTION | DRAFT WHERE APPLICABLE MUST REMAIN WITHIN DIMENSIONS | DRAWN BY DATE SREED 2006/06/06 CHECKED BY DATE J BINGHAM 2006/06/06 APPROVED BY DATE J BINGHAM 2009/11/23 | TITLE | SALES DRAWING FOR VERTICAL GANGED RF CONNECTOR, LONG TAILS | |
| | REV | SIZE | MATERIAL NO. | DOCUMENT NO. | MOLEX MOLEX INCORPORATED SD-74712-003 | |