

PLEASE CHECK WWW.MOLEX.COM FOR LATEST PART INFORMATION

Part Number: [0747121006](#)
Status: **Active**
Overview: [ganged_rf](#)
Description: 6.25mm (.246") Pitch Ganged RF Header, Vertical, 6 Circuits

Documents:

[Drawing \(PDF\)](#) [Product Specification PS-74854-001 \(PDF\)](#)
[Packaging Specification \(PDF\)](#) [RoHS Certificate of Compliance \(PDF\)](#)

General

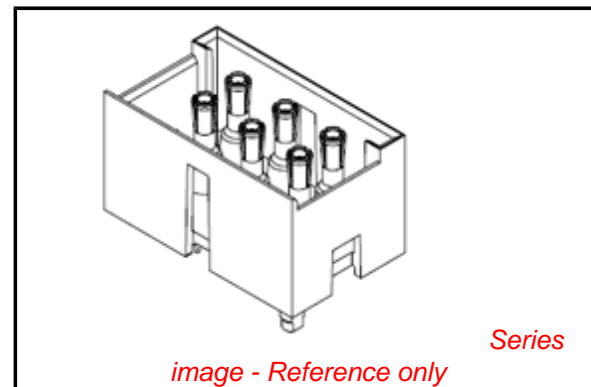
| | |
|----------------|---------------------------|
| Product Family | Backplane Connectors |
| Series | 74712 |
| Application | Backplane |
| Comments | Port Numbered 2 Loaded |
| Component Type | PCB Header |
| Overview | ganged_rf |
| Product Name | Ganged RF |
| Style | N/A |

Physical

| | |
|--------------------------------|---|
| Circuits (Loaded) | 2 |
| Circuits (maximum) | 6 |
| Circuits Detail | 2 |
| Color - Resin | Black, Natural |
| Durability (mating cycles max) | 500 |
| First Mate / Last Break | No |
| Guide to Mating Part | No |
| Keying to Mating Part | Yes |
| Material - Metal | Copper |
| Material - Resin | High Temperature Thermoplastic, Polyester |
| Number of Columns | 3 |
| Number of Pairs | N/A |
| Number of Rows | 2 |
| Orientation | Vertical |
| PC Tail Length (in) | 0.141 In |
| PC Tail Length (mm) | 3.58 mm |
| PCB Locator | Yes |
| PCB Retention | None |
| PCB Thickness Recommended (in) | 0.177 In |
| PCB Thickness Recommended (mm) | 4.50 mm |
| Packaging Type | Tray |
| Pitch - Mating Interface (in) | 0.246 In |
| Pitch - Mating Interface (mm) | 6.25 mm |
| Pitch - Term. Interface (in) | 0.246 In |
| Pitch - Term. Interface (mm) | 6.25 mm |
| Polarized to PCB | Yes |
| Stackable | No |
| Surface Mount Compatible (SMC) | Yes |
| Temperature Range - Operating | -40°C to +85°C |
| Termination Interface: Style | Through Hole - Compliant Pin |

Electrical

| | |
|-------------------------------|----------|
| Current - Maximum per Contact | 1A |
| Data Rate | 3.0 Gbps |
| Real Signals (per 25mm) | 8 |
| Shield Type | N/A |



EU RoHS

RoHS Compliant by Exemption

REACH SVHC

Not Reviewed

Halogen-Free

Status

Not Reviewed

China RoHS



Pb

Need more information on product environmental compliance?

Email productcompliance@molex.com
 For a multiple part number RoHS Certificate of Compliance, [click here](#)

Please visit the [Contact Us](#) section for any non-product compliance questions.

Search Parts in this Series

[74712Series](#)

Mates With

[74642 Ganged RF Receptacle](#)

Shielded
Voltage - Maximum

No
50V AC

Material Info

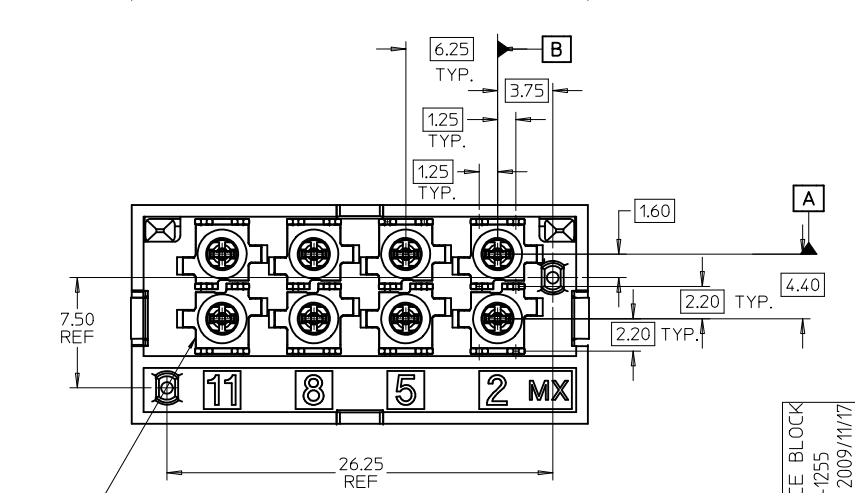
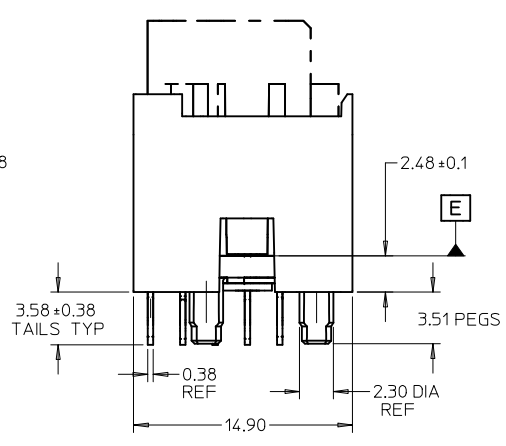
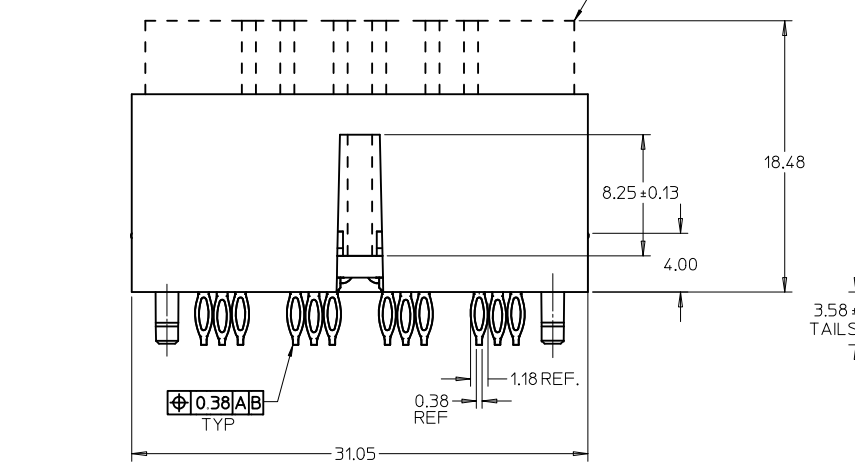
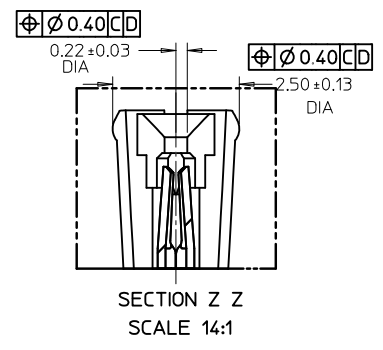
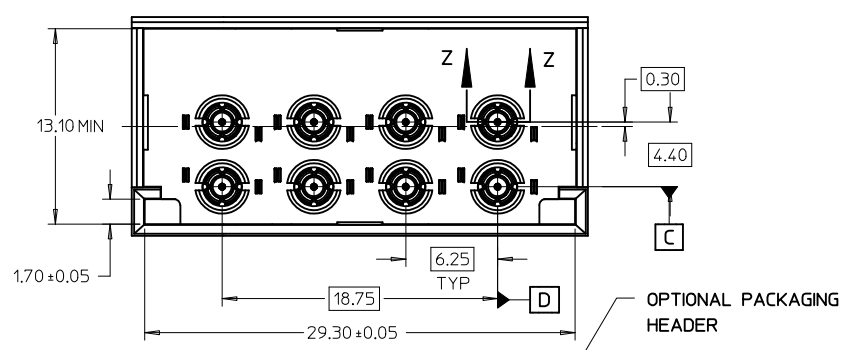
Reference - Drawing Numbers

Packaging Specification
Product Specification
Sales Drawing

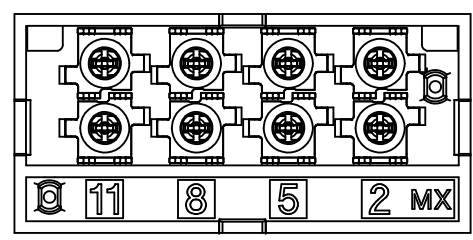
PK-74712-102
PS-74854-001
SD-74712-003

This document was generated on 05/15/2010

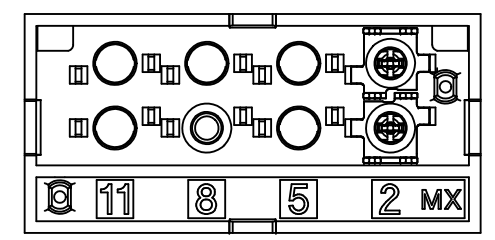
PLEASE CHECK WWW.MOLEX.COM FOR LATEST PART INFORMATION



CONTACT LOADING OPTIONS FOR 8 POS CONNECTORS



MAT'L NO. 747120001/0003
POSITION 2,5,8 & 11 LOADED



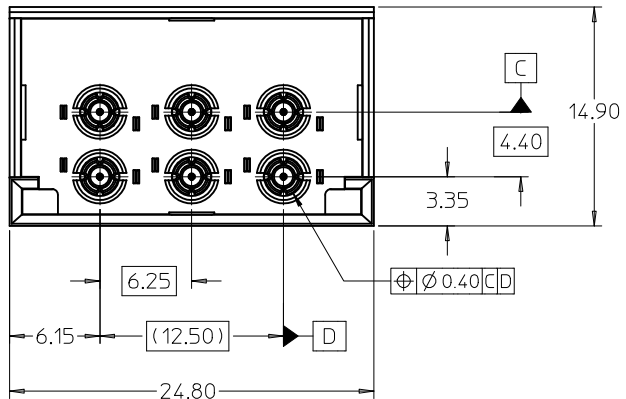
MAT'L NO. 747120002
POSITION 2 LOADED

| | | |
|--------------|------------------------------|-----------------|
| MATERIAL NO. | TERMINAL LOADING BY POSITION | 74712 PACKAGING |
| 74712-0001 | 2, 5, 8, 11 | PK-74712-001 |
| 74712-0002 | 2 | PK-74712-001 |
| 74712-0003 | 2, 5, 8, 11 | PK-74712-002 |

- NOTES:
- MATERIAL:
 - HOUSING: GLASS FILLED THERMO PLASTIC, 94V-0
 - INSULATOR: GLASS FILLED THERMO PLASTIC, 94V-0
 - PACKAGING HEADER: GLASS FILLED THERMO PLASTIC, 94V-0
 - TERMINALS AND GROUND: TIN BRASS
 - OUTER GROUND CONTACT: PHOSPHOR BRONZE
 - PLATING:
 - TERMINALS:
 - SELECTIVE 0.76 MICRONS MIN. GOLD IN CONTACT AREA
 - SELECTIVE 0.88 MICRONS MIN. TIN BOTH OVER
 - 1.27 MICRONS MIN. NICKEL UNDERPLATE
 - GROUNDS:
 - 0.88 MICRONS MIN. TIN OVERALL OVER
 - 1.27 MICRONS MIN. NICKEL UNDERPLATE
 - OUTER GROUND CONTACT:
 - 0.76 MICRONS MIN. GOLD OVERALL OVER
 - 1.27 MICRONS MIN. NICKEL UNDERPLATE
 - REFER TO PRODUCT SPEC.: PS-74854-001 FOR ELECTRICAL, MECHANICAL AND ENVIRONMENTAL REQUIREMENTS.
 - REFER TO PACKAGING SPEC STATED IN CHARTS FOR DETAILS OF THE PACKAGING REQUIREMENTS.
 - DATE CODE MARKING TO BE LOCATED ANYWHERE ON PLASTIC HOUSING. FIRST TWO DIGITS = WEEK NUMBER. LAST TWO DIGITS = YEAR.
 - THIS PART CONFORMS TO CLASS B REQUIREMENTS OF MOLEX COSMETIC SPECIFICATION PS-45499-002.

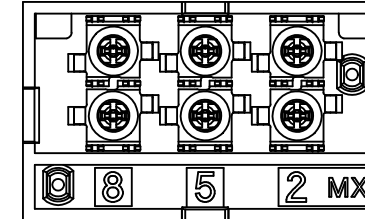
8 POS. CONNECTOR SHOWN

| | | | | | | |
|--|-----------------|---|---|---------------------|--|---------------------------|
| ADD TOLERANCE BLOCK EC NO: UCP2010-1255 DRWN: JENDOZA 2009/11/17 CHKD: 2009/11/23 APPR: BINGHAM 2009/11/23 | QUALITY SYMBOLS | GENERAL TOLERANCES (UNLESS SPECIFIED) | SCALE 4:1 | DESIGN UNITS METRIC | THIRD ANGLE PROJECTION | REVISE ON CAD ONLY |
| | ▽ 0 ∇ 0 | 4 PLACES ± --- ± --- 3 PLACES ± --- ± --- 2 PLACES ± 0.13 ± --- 1 PLACE ± 0.25 ± --- | mm | INCH | DIMENSION STYLE | |
| | | | MM ONLY | | TITLE | |
| | | | DRAFT WHERE APPLICABLE | | SALES DRAWING FOR VERTICAL GANGED RF CONNECTOR, LONG TAILS | |
| REV E1 | DESCRIPTION | MUST REMAIN WITHIN DIMENSIONS | APPROVED BY J. BINGHAM | DATE 2009/11/23 | MOLEX INCORPORATED | |
| | | | APPROVED BY J. BINGHAM | DATE 2006/06/06 | MATERIAL NO. SEE CHART | DOCUMENT NO. SD-74712-003 |
| | | | THIS DRAWING CONTAINS INFORMATION THAT IS PROPRIETARY TO MOLEX INCORPORATED AND SHOULD NOT BE USED WITHOUT WRITTEN PERMISSION | | SHEET NO. 1 OF 5 | |



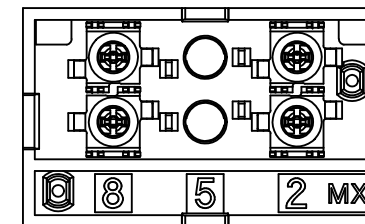
| 6 POSITION CONNECTOR | | | |
|----------------------|--------------------------------|---------------------------|-------------------------|
| MATERIAL NUMBER | POSITION OF LOADED TERMINAL(S) | OPTIONAL PACKAGING HEADER | PACKAGING SPECIFICATION |
| 74712-1001 | 2, 5, 8 | YES | PK-74712-101 |
| 74712-1002 | 2, 8 | YES | |
| 74712-1003 | 2 | YES | |
| 74712-1004 | 8 | YES | PK-74712-102 |
| 74712-1007 | 5 | YES | |
| 74712-1005 | 2, 5, 8 | YES | |
| 74712-1006 | 2 | YES | |

MATERIAL NUMBER: 74712-1001/-1005



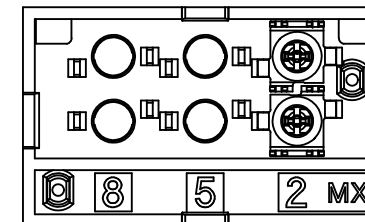
TERMINAL POSITIONS LOADED: 2, 5, 8

MATERIAL NUMBER: 74712-1002



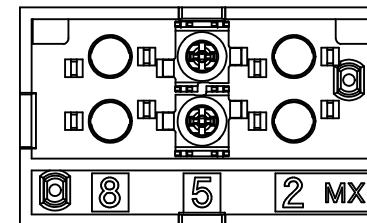
TERMINAL POSITIONS LOADED: 2, 8

MATERIAL NUMBER: 74712-1003/-1006



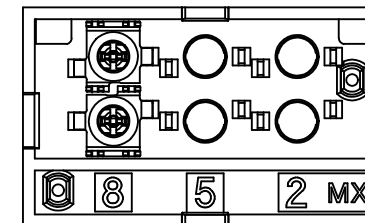
TERMINAL POSITION LOADED: 2

MATERIAL NUMBER: 74712-1007

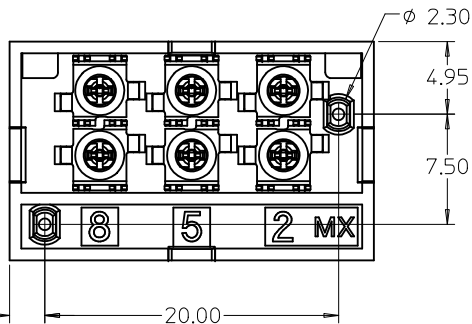
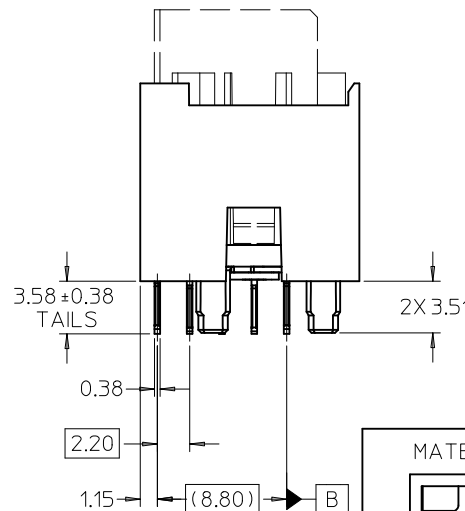
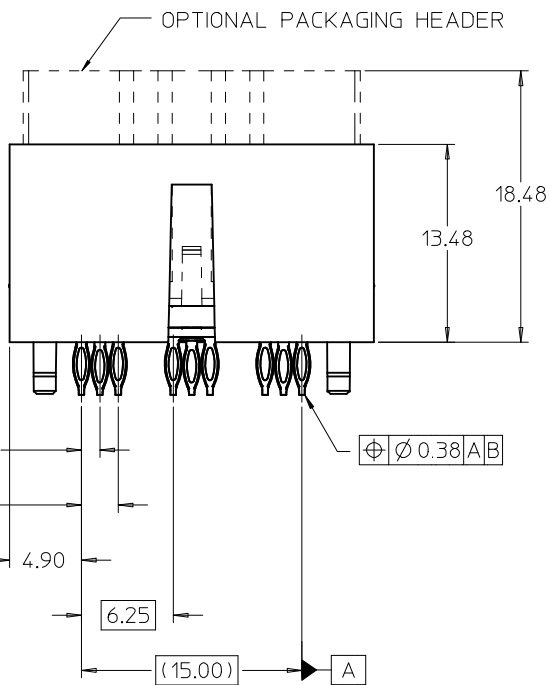


TERMINAL POSITION LOADED: 5

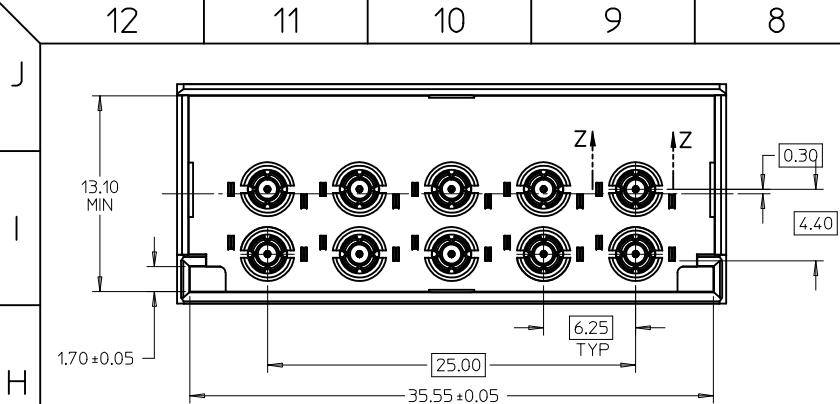
MATERIAL NUMBER: 74712-1004



TERMINAL POSITION LOADED: 8

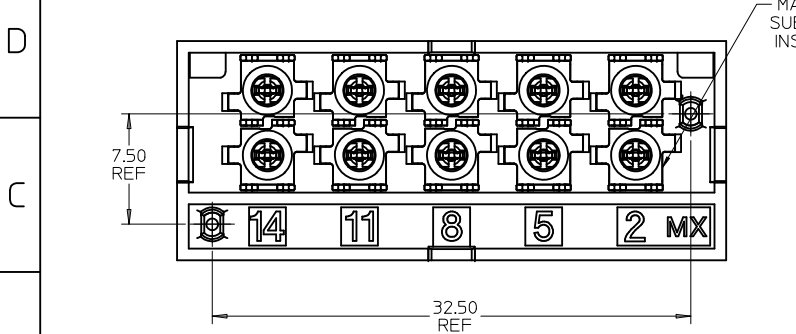
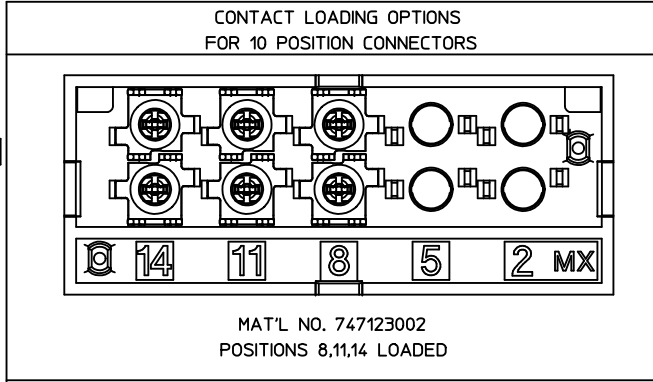
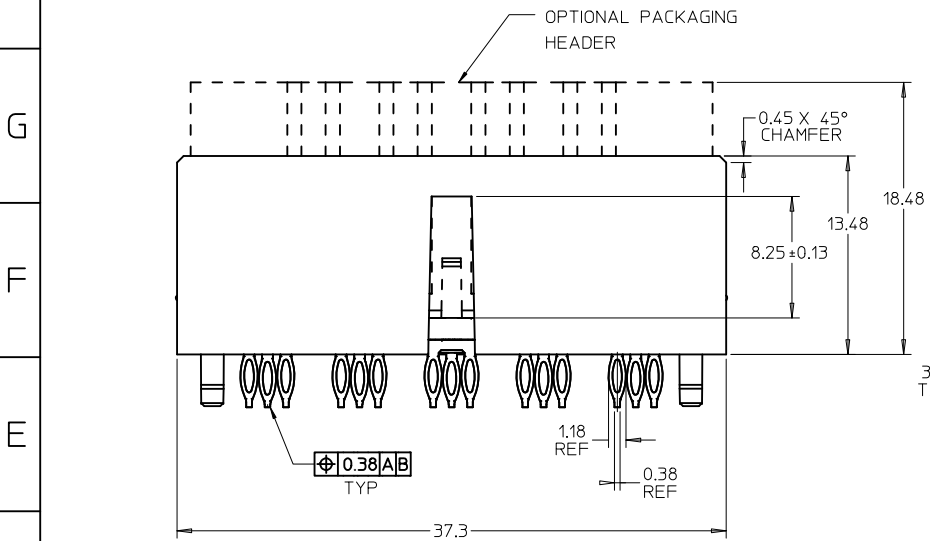


| SEE SHEET 1 EC NO: UCP2010-1255 DRWN: MENDOZA CHKD: 2009/11/23 APPR: JBINGHAM 2009/11/23 | QUALITY SYMBOLS ▽=0 ▽=0 | GENERAL TOLERANCES (UNLESS SPECIFIED) <table border="1"> <tr> <th></th> <th>mm</th> <th>INCH</th> </tr> <tr> <td>4 PLACES</td> <td>± 0.15</td> <td>± 0.006</td> </tr> <tr> <td>3 PLACES</td> <td>± 0.20</td> <td>± 0.008</td> </tr> <tr> <td>2 PLACES</td> <td>± 0.25</td> <td>± 0.010</td> </tr> <tr> <td>1 PLACE</td> <td>± 0.30</td> <td>± 0.012</td> </tr> </table> | | mm | INCH | 4 PLACES | ± 0.15 | ± 0.006 | 3 PLACES | ± 0.20 | ± 0.008 | 2 PLACES | ± 0.25 | ± 0.010 | 1 PLACE | ± 0.30 | ± 0.012 | DIMENSION STYLE MM ONLY | SCALE 4:1 | DESIGN UNITS METRIC | THIRD ANGLE PROJECTION |
|---|---|--|----------------------------------|--|--------------------|----------------------------|--------|---------|----------|--------|---------|----------|--------|---------|---------|--------|---------|-----------------------------------|---------------------|-------------------------------|------------------------|
| | | mm | INCH | | | | | | | | | | | | | | | | | | |
| | 4 PLACES | ± 0.15 | ± 0.006 | | | | | | | | | | | | | | | | | | |
| | 3 PLACES | ± 0.20 | ± 0.008 | | | | | | | | | | | | | | | | | | |
| 2 PLACES | ± 0.25 | ± 0.010 | | | | | | | | | | | | | | | | | | | |
| 1 PLACE | ± 0.30 | ± 0.012 | | | | | | | | | | | | | | | | | | | |
| DRAWN BY SREED DATE 2006/06/06 | CHECKED BY JBINGHAM DATE 2006/06/06 | APPROVED BY JBINGHAM DATE 2009/11/23 | MATERIAL NO. SEE CHART | TITLE SALES DRAWING FOR VERTICAL GANGED RF CONNECTOR, LONG TAILS | MOLEX INCORPORATED | SHEET NO. 2 OF 5 | | | | | | | | | | | | | | | |
| DRAFT WHERE APPLICABLE MUST REMAIN WITHIN DIMENSIONS | THIS DRAWING CONTAINS INFORMATION THAT IS PROPRIETARY TO MOLEX INCORPORATED AND SHOULD NOT BE USED WITHOUT WRITTEN PERMISSION | DOCUMENT NO. SD-74712-003 | MOLEX | MOLEX INCORPORATED | MOLEX INCORPORATED | MOLEX INCORPORATED | | | | | | | | | | | | | | | |



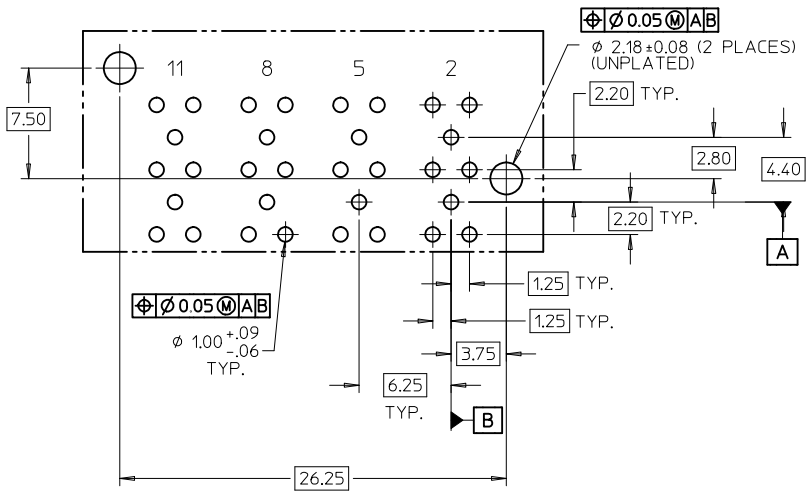
NOTE: REFER TO SHEET 1 FOR ALL DIMENSIONS.
SECTION VIEW AND NOTES NOT SHOWN.

| | | |
|--------------|------------------------------|--------------|
| MATERIAL NO. | TERMINAL LOADING BY POSITION | PACKAGING |
| 74712-3001 | 2, 5, 8, 11, 14 | PK-74712-210 |
| 74712-3002 | 8, 11, 14 | PK-74712-210 |

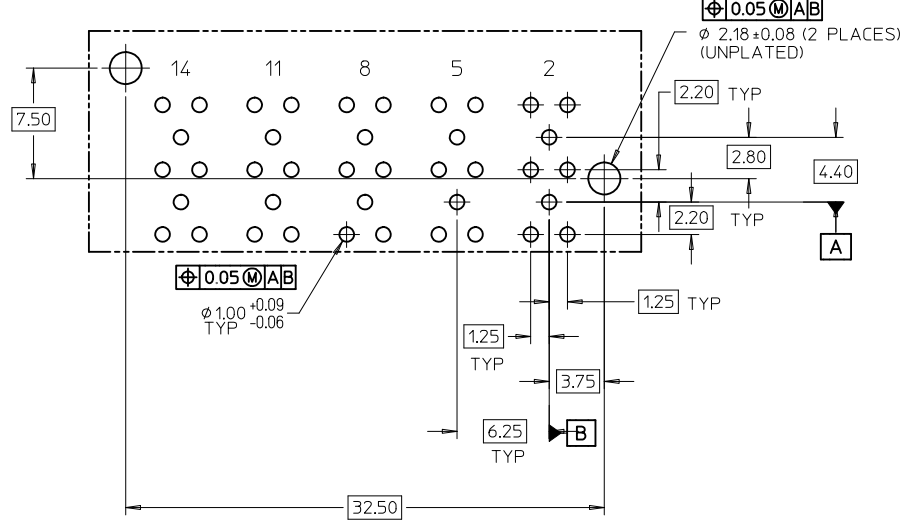


10 POSITION CONNECTOR SHOWN

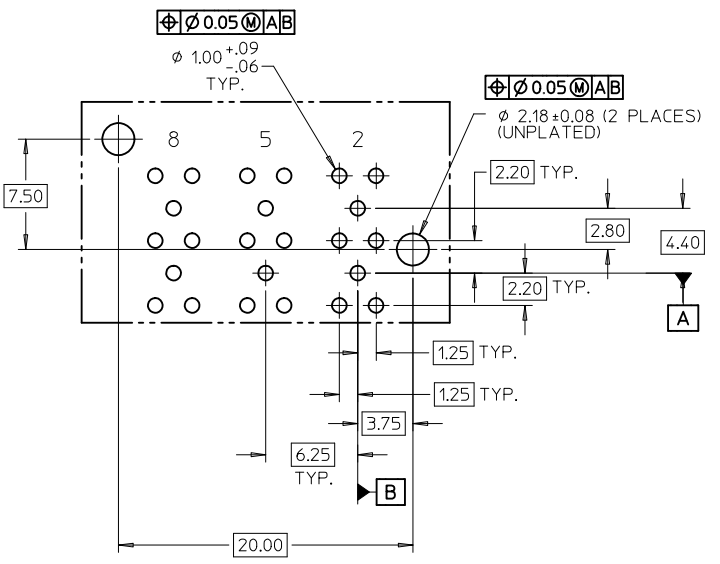
| | | | | | | | | |
|--|-----------------------------------|---------------------------------------|------|-------------------------|---------------------|---|---|---|
| SEE SHEET 1 EC NO: UCP2010-1255 DRWN: JMENDOZA 2009/11/17 CHKD: 2009/11/23 APPR: JBINGHAM 2009/11/23 | QUALITY SYMBOLS ▽ - 0 ∇ - 0 | GENERAL TOLERANCES (UNLESS SPECIFIED) | | SCALE 4:1 | DESIGN UNITS METRIC | THIRD ANGLE PROJECTION REVISE ON CAD ONLY | TITLE SALES DRAWING FOR VERTICAL GANGED RF CONNECTOR, LONG TAILS | |
| | | mm | INCH | DIMENSION STYLE MM ONLY | | | | |
| | | 4 PLACES ±--- | ±--- | DRAWN BY SREED | DATE 2006/06/06 | Molex MOLEX INCORPORATED | | MATERIAL NO. SEE CHART DOCUMENT NO. SD-74712-003 SHEET NO. 3 OF 5 |
| | | 3 PLACES ±--- | ±--- | CHECKED BY JBINGHAM | DATE 2006/06/06 | THIS DRAWING CONTAINS INFORMATION THAT IS PROPRIETARY TO MOLEX INCORPORATED AND SHOULD NOT BE USED WITHOUT WRITTEN PERMISSION | | |



RECOMMENDED PCB LAYOUT
FOR THE 8 POSITION CONNECTOR
COMPONENT SIDE
MAX. BOARD THICKNESS: 4.50



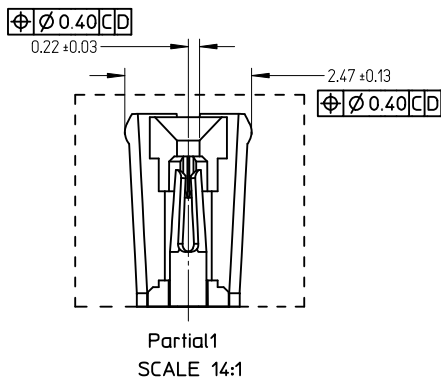
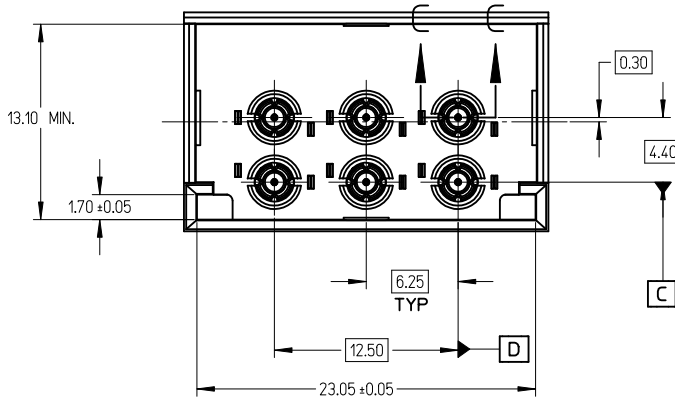
RECOMMENDED PCB LAYOUT
FOR THE 10 POSITION CONNECTOR
COMPONENT SIDE
MAX. BOARD THICKNESS: 4.50



RECOMMENDED PCB LAYOUT
FOR THE 6 POSITION CONNECTOR
COMPONENT SIDE
MAX. BOARD THICKNESS: 4.50

NOTE: DEPENDING ON CONNECTOR PART NUMBER, ALL HOLES MAY NOT BE REQUIRED. REFER TO SHEETS 1-3 FOR LOADED TERMINAL POSITIONS. REFER TO TERMINAL POSITIONS SPECIFIED ON EACH PCB LAYOUT TO DETERMINE WHICH HOLES ARE NEEDED.

| | | | | | | | |
|--|-----------------|---------------------------------------|----------------------|-----------------|---|------------------------|--|
| SEE SHEET 1 EC NO: UCP2010-1255 DRWN: JMENDOZA 2009/11/17 CHKD: 2009/11/23 APPR: JBINGHAM 2009/11/23 | QUALITY SYMBOLS | GENERAL TOLERANCES (UNLESS SPECIFIED) | | SCALE 4:1 | DESIGN UNITS METRIC | THIRD ANGLE PROJECTION | REVISE ON CAD ONLY |
| | ▼ - 0 ∇ - 0 | | mm | INCH | DIMENSION STYLE MM ONLY | | TITLE SALES DRAWING FOR VERTICAL GANGED RF CONNECTOR, LONG TAILS MOLEX MOLEX INCORPORATED MATERIAL NO. SEE CHARTS SD-74712-003 DOCUMENT NO. SD-74712-003 SHEET NO. 4 OF 5 |
| | | 4 PLACES | ± --- | ± --- | DRAWN BY SREED | DATE 2006/06/06 | |
| | | 3 PLACES | ± --- | ± --- | CHECKED BY JBINGHAM | DATE 2006/06/06 | |
| 2 PLACES | ± 0.13 | ± --- | APPROVED BY JBINGHAM | DATE 2009/11/23 | | | |
| | | 1 PLACE | ± 0.25 | ± --- | DRAFT WHERE APPLICABLE MUST REMAIN WITHIN DIMENSIONS THIS DRAWING CONTAINS INFORMATION THAT IS PROPRIETARY TO MOLEX INCORPORATED AND SHOULD NOT BE USED WITHOUT WRITTEN PERMISSION | | |



| 6 POSITION CONNECTOR | | | |
|----------------------|--------------------------------|---------------------------|-------------------------|
| MATERIAL NUMBER | POSITION OF LOADED TERMINAL(S) | OPTIONAL PACKAGING HEADER | PACKAGING SPECIFICATION |
| 74712-1008 | 2, 8 | NO | PK-74712-101 |
| 74712-1009 | 5 | NO | |

NOTES:

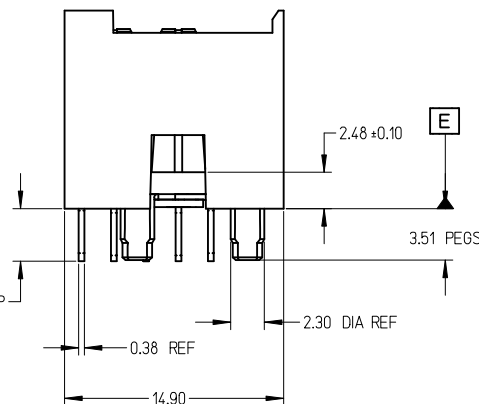
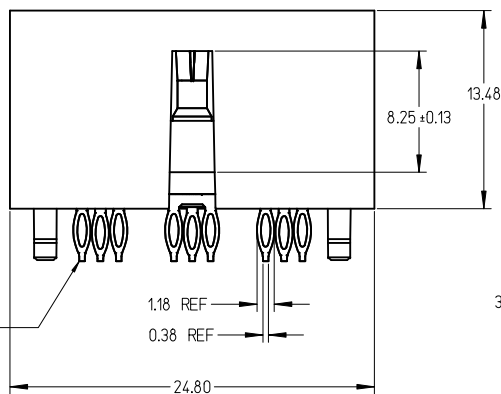
1. MATERIAL:

HOUSING: GLASS FILLED THERMO PLASTIC, 94V-0
 INSULATOR: GLASS FILLED THERMO PLASTIC, 94V-0
 TERMINALS AND GROUND: TIN BRASS
 OUTER GROUND CONTACT: PHOSPHOR BRONZE

2. PLATING:

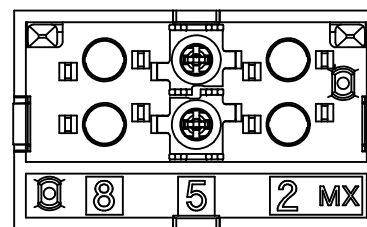
TERMINALS:
 SELECTIVE 0.76 MICRONS MIN. GOLD IN CONTACT AREA
 SELECTIVE 0.88 MICRONS MIN. TIN BOTH OVER
 1.27 MICRONS MIN. NICKEL UNDERPLATE
 GROUNDS:
 0.88 MICRONS MIN. TIN OVERALL OVER
 1.27 MICRONS MIN. NICKEL UNDERPLATE
 OUTER GROUND CONTACT:
 0.76 MICRONS MIN. GOLD OVERALL OVER
 1.27 MICRONS MIN. NICKEL UNDERPLATE

3. REFER TO PRODUCT SPEC.: PS-74854-001 FOR ELECTRICAL, MECHANICAL AND ENVIRONMENTAL REQUIREMENTS.
 4. REFER TO PACKAGING SPEC STATED IN CHARTS FOR DETAILS OF THE PACKAGING REQUIREMENTS.
 5. DATE CODE MARKING TO BE LOCATED ANYWHERE ON PLASTIC HOUSING. FIRST TWO DIGITS = WEEK NUMBER. LAST TWO DIGITS = YEAR.
 6. THIS PART CONFORMS TO CLASS B REQUIREMENTS OF MOLEX COSMETIC SPECIFICATION PS-45499-002.



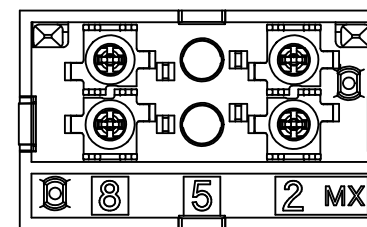
6 POS. CONNECTOR SHOWN

MATERIAL NUMBER: 74712-1009



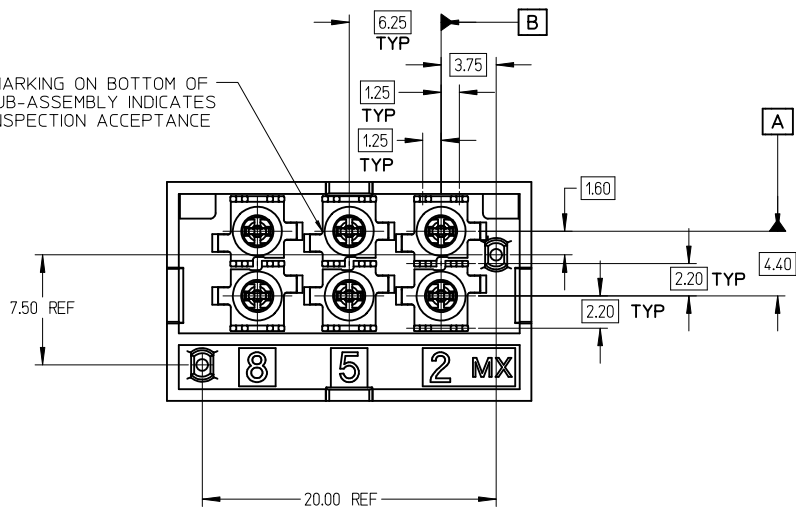
TERMINAL POSITION LOADED: 5

MATERIAL NUMBER: 74712-1008



TERMINAL POSITIONS LOADED: 2, 8

MARKING ON BOTTOM OF SUB-ASSEMBLY INDICATES INSPECTION ACCEPTANCE



| SEE SHEET 1 EC NO: UCP2010-1255 DRAWN: J MENDOZA 2009/11/17 CHKD: 2009/11/23 APPR: J BINGHAM 2009/11/23 | QUALITY SYMBOLS | GENERAL TOLERANCES (UNLESS SPECIFIED) | DIMENSION STYLE | SCALE | DESIGN UNITS | THIRD ANGLE PROJECTION | | | | | | | | | | | | | | | | | | |
|---|--------------------------|--|-----------------|---|--------------|------------------------|-------|-------|----------|-------|-------|----------|--------|-------|---------|--------|-------|--------------|--|--|---------|-----|--------|--|
| | $\nabla=0$ $\nabla=0$ | <table border="1"> <tr> <th></th> <th>mm</th> <th>INCH</th> </tr> <tr> <td>4 PLACES</td> <td>± ---</td> <td>± ---</td> </tr> <tr> <td>3 PLACES</td> <td>± ---</td> <td>± ---</td> </tr> <tr> <td>2 PLACES</td> <td>± 0.13</td> <td>± ---</td> </tr> <tr> <td>1 PLACE</td> <td>± 0.25</td> <td>± ---</td> </tr> <tr> <td colspan="3">ANGULAR ± 2°</td> </tr> </table> | | mm | INCH | 4 PLACES | ± --- | ± --- | 3 PLACES | ± --- | ± --- | 2 PLACES | ± 0.13 | ± --- | 1 PLACE | ± 0.25 | ± --- | ANGULAR ± 2° | | | MM ONLY | 4:1 | METRIC | |
| | | mm | INCH | | | | | | | | | | | | | | | | | | | | | |
| | 4 PLACES | ± --- | ± --- | | | | | | | | | | | | | | | | | | | | | |
| 3 PLACES | ± --- | ± --- | | | | | | | | | | | | | | | | | | | | | | |
| 2 PLACES | ± 0.13 | ± --- | | | | | | | | | | | | | | | | | | | | | | |
| 1 PLACE | ± 0.25 | ± --- | | | | | | | | | | | | | | | | | | | | | | |
| ANGULAR ± 2° | | | | | | | | | | | | | | | | | | | | | | | | |
| DESCRIPTION | DRAWN BY | DATE | TITLE | SALES DRAWING FOR VERTICAL GANGED RF CONNECTOR, LONG TAILS MOLEX INCORPORATED | | | | | | | | | | | | | | | | | | | | |
| REV | SREED | 2006/06/06 | SD-74712-003 | | | | | | | | | | | | | | | | | | | | | |
| | DESCRIPTION | DATE | DOCUMENT NO. | SHEET NO. | | | | | | | | | | | | | | | | | | | | |
| | APPROVED BY | 2009/11/23 | 5 OF 5 | | | | | | | | | | | | | | | | | | | | | |
| DRAFT WHERE APPLICABLE MUST REMAIN WITHIN DIMENSIONS | | SEE CHARTS | | THIS DRAWING CONTAINS INFORMATION THAT IS PROPRIETARY TO MOLEX INCORPORATED AND SHOULD NOT BE USED WITHOUT WRITTEN PERMISSION | | | | | | | | | | | | | | | | | | | | |