



# Obsolescence Notice

This product is obsolete.

This information is available for your convenience only.

For more information on Zarlink's obsolete products and replacement product lists, please visit [http://products.zarlink.com/obsolete\\_products/](http://products.zarlink.com/obsolete_products/)



**Ordering Information**

ZL60007/TBD TO-46 with lens

**-40°C to +85°C**

**Features**

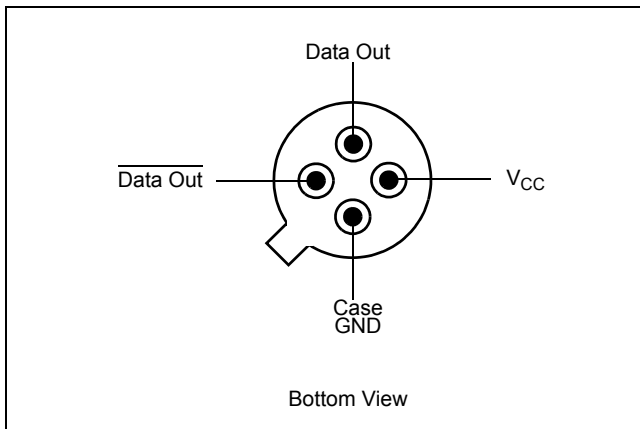
- Data rate up to 622Mbps
- 1310, 1550 nm PIN
- TIA with AGC
- TO-46 Assembly
- 3.3V power supply

**Applications**

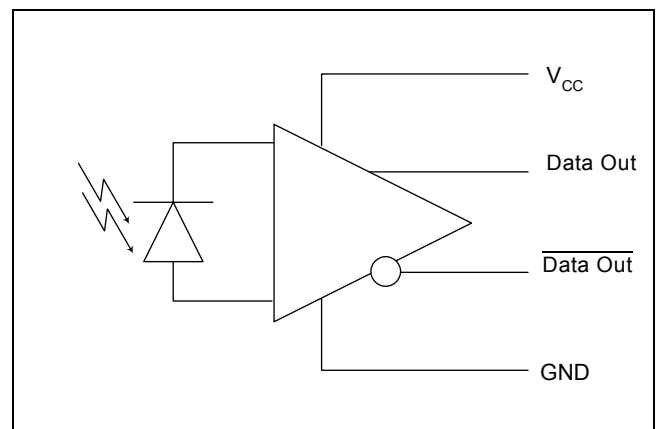
- Sonet OC-12
- SDH STM-4
- ATM 622Mbps

**Description**

This optical receiver is a 3.3V device which contains an InGaAs PIN photodiode and a transimpedance amplifier with Automatic Gain Control and DC restore circuit assembled in a TO-46 package. It is designed for ATM and SDH/Sonet 622Mbps. Its double-lens optical system is designed for single mode fiber as well as for multimode fiber with a core diameter up to 62.5µm. Reliability Assurance based on Telcordia GR-468-CORE.



**Figure 1 - Pin Diagram**



**Figure 2 - Functional Schematic**

## Optical and Electrical Characteristics

Parameter	Symbol	Min	Typ	Max	Unit	Test condition
Responsivity, differential	$R$	14	22	33	kV/W	$\lambda=1310\text{nm}$ , $R_L=100\Omega$ , Note 1
Output Voltage amplitude, differential	$\Delta V_o$		1.4		V	$R_L=100\Omega$ , $ER = \infty$ Note 2
Bandwidth (3dB <sub>el</sub> )	$f_c$		450		MHz	$P_f = 10\mu\text{W}$ , $R_L = 100\Omega$
Optical Saturation Level (average)	$P_{\text{sat}}$	0	3		dBm	$\lambda=1310\text{nm}$ $ER = \infty$ Note 3
Noise-Equivalent Power	$NEP$		-40		dBm	$\lambda=1310\text{nm}$ Note 4
Sensitivity (BER $10^{-9}$ )	$S$		-32	-30	dBm	$\lambda=1310\text{nm}$ $ER = \infty$ Note 3, 5
Dynamic Range			35		dB	
Output Resistance (single)	$R_O$		50		$\Omega$	
Power Dissipation	$P_D$		90	165	mW	
Power Supply Current	$I_{DD}$		30	45	mA	

**Operating conditions:** 25°C Case Temperature/3.3 V Supply Voltage/Fiber: Singlemode to multimode 62.5/125 $\mu\text{m}$

Note 1:  $P_f=5\mu\text{W}$  Peak-Peak power at 10MHz/50% duty cycle

Note 2:  $P_f = 1\text{mW}$  average power

Note 3: BER  $10^{-9}$  with a  $2^{23}-1$  PRBS at 622Mbps

Note 4: Measured with STM-4 filter on electrical output. i.e. 467 MHz

Note 5: Penalty at  $10^{-10}$  BER equals 0.26 dB

## Absolute Maximum Ratings

Parameter	Symbol	Min	Max	Unit
Supply Voltage	$V_{CC}$	0	4.5	V
Storage Temperature	$T_{\text{stg}}$	-55	125	°C

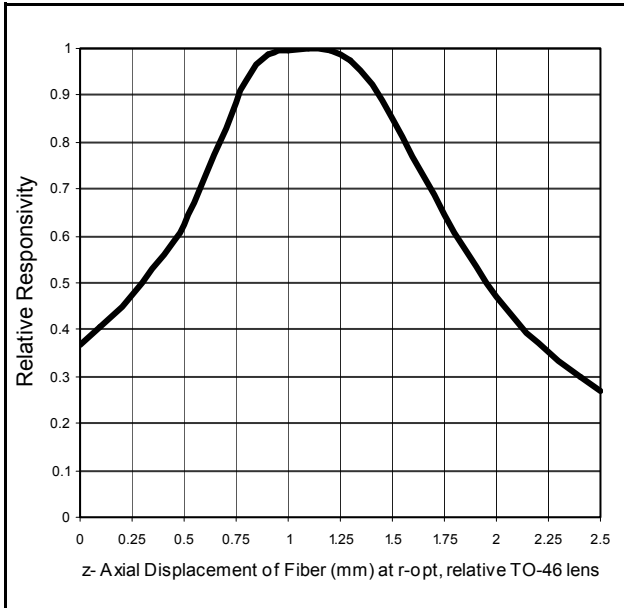
## Recommended Operating Conditions

Parameter	Symbol	Min	Typ	Max	Unit
Supply Voltage	$V_{CC}$	3.0	3.3	3.6	V
Output Differential Load, Note 6	$R_L$	100	1000		$\Omega$
Operating Temperature	$T_{OP}$	-40		85	°C

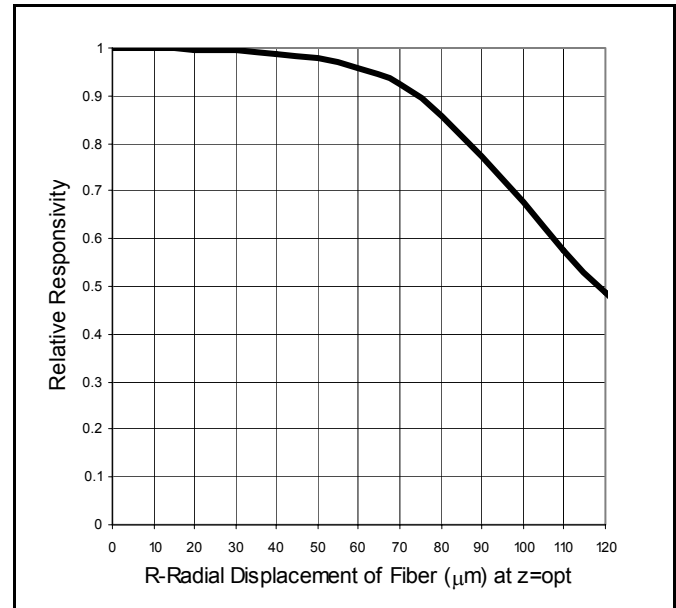
Note 6: The typical value corresponds to the load presented by a following limiting amplifier

**Typical Responsivity**

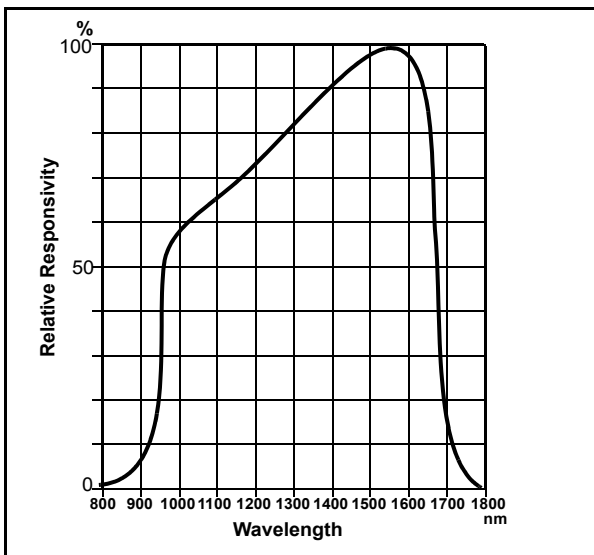
	Wavelength	Fiber Core/cladding Diameter Numerical Aperture		
		10/125 $\mu\text{m}$ , NA=0.11	50/125 $\mu\text{m}$ , NA=0.20	62.5/125 $\mu\text{m}$ , NA=0.275
Differential responsivity	1310nm	22kV/W	22kV/W	22kV/W
Differential responsivity	1550nm	27kV/W	27kV/W	27kV/W



**Figure 3 - Typical Responsivity vs Axial Displacement for a Multimode Fiber**



**Figure 5 - Typical Responsivity vs Radial Displacement for a Multimode Fiber**



**Figure 4 - Responsivity vs. Wavelength of Coupled Input Power**

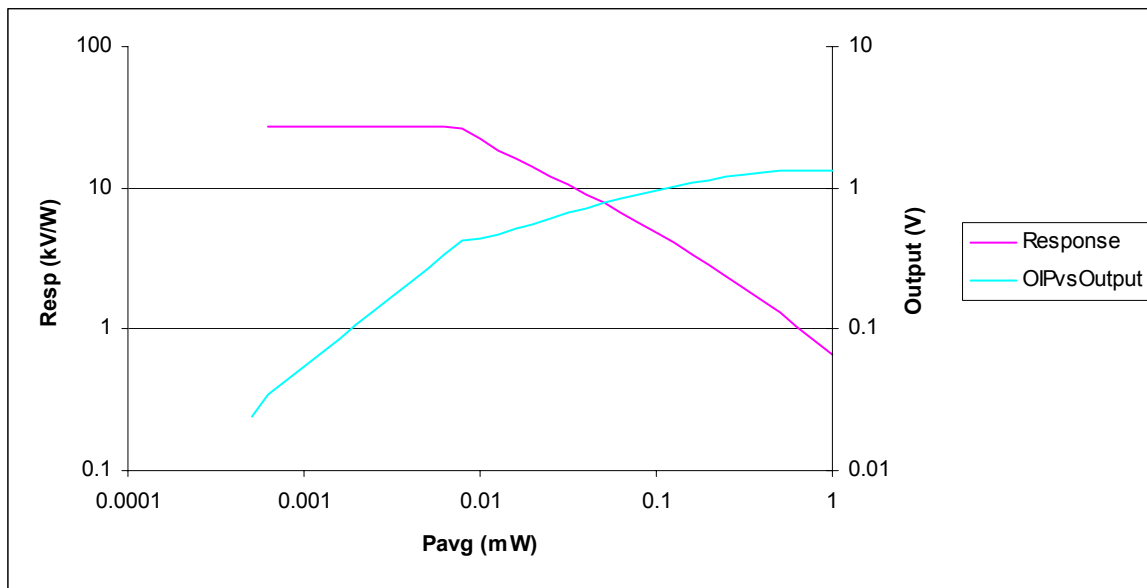


Figure 6 - Output Voltage vs Input Power

### Application Guidelines



#### ESD handling

The receiver is sensitive to electrostatic discharges. When handling the device, precautions for ESD sensitive devices should be taken. These precautions include use of ESD protected work area with wrist straps, controlled work benches, floors etc.

### Power Supply Filter

Power Supply decoupling capacitors are recommended for optimal performance of the receiver. A filter is recommended to minimize power supply noise. See Figure 7.

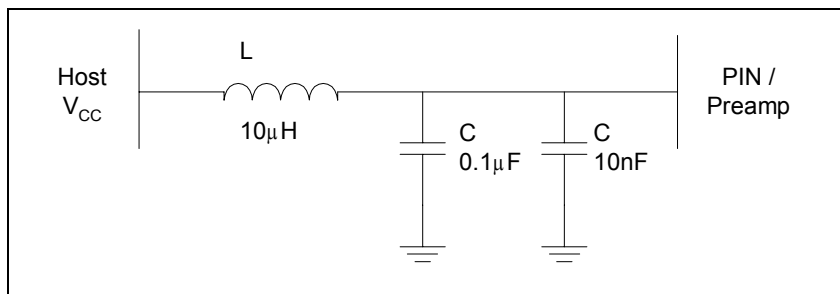
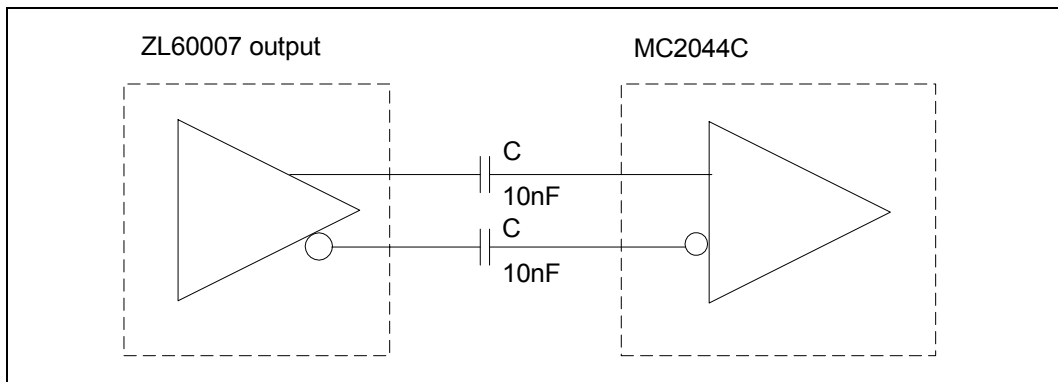


Figure 7 - Recommended Power Supply Filter

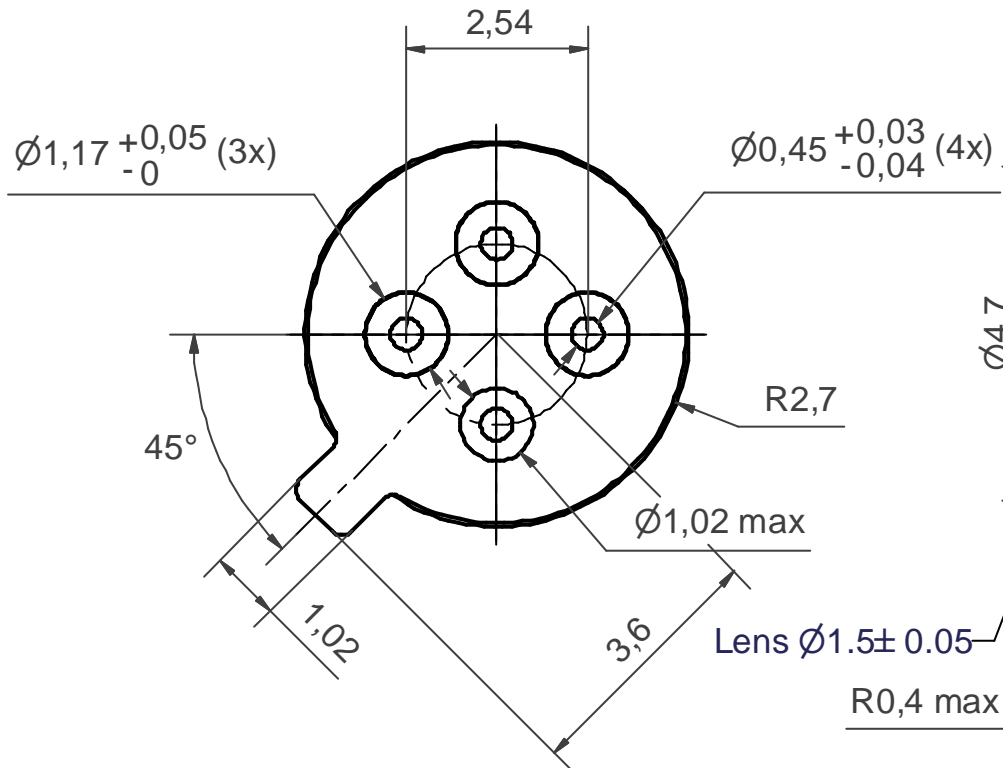
## Data Outputs

The outputs Data and  $\overline{\text{Data}}$  signals, are designed to drive a high load  $>500\Omega$ . It is recommended to use Mindspeed MC2044C postamplifier ( $R_{in} \sim 4.5\Omega$ ) together with ZL60007.

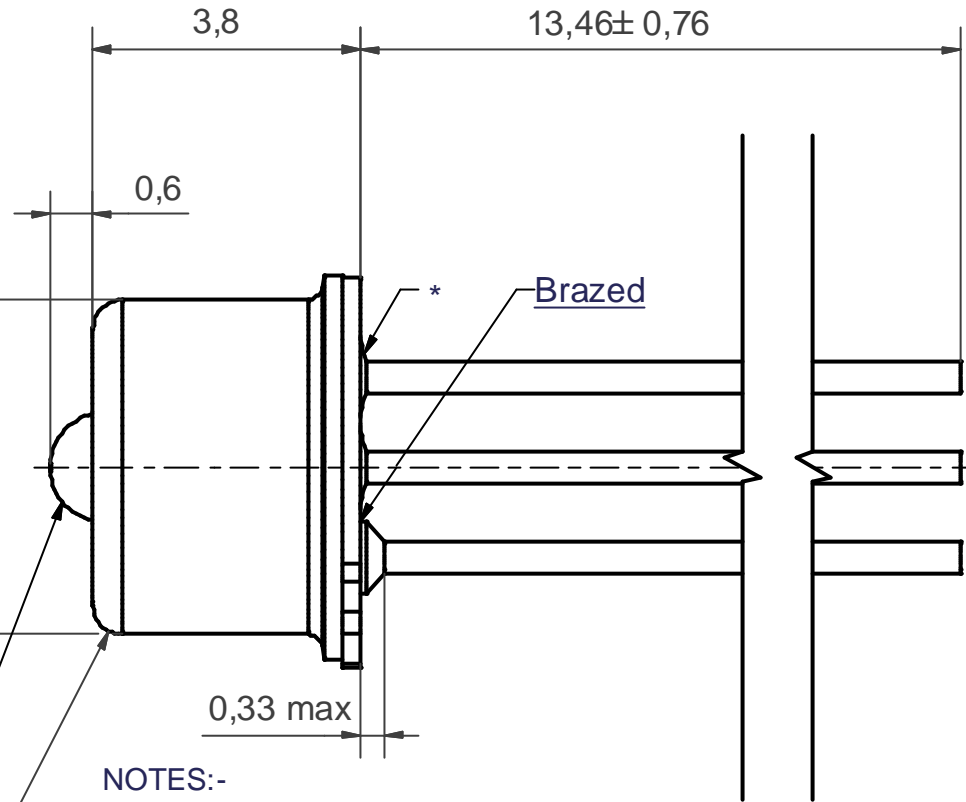


**Figure 8 - Recommended Post Amplifier and Coupling Capacitors**

# BOTTOM VIEW ( 10 : 1 )



# SIDE VIEW



### NOTES:-

1. All dimensions in mm.
2. General tol. ISO-2768-mK.
3. Coating: Case: Ni 1,5-2,5  $\mu$ m.  
Header: Ni min 0,5  $\mu$ m / Au min 1,5  $\mu$ m.

\* 0,25 max glass overmould (3x)

© Zarlink Semiconductor 2002. All rights reserved.

ISSUE	1			
ACN	JS004078R1A			
DATE	22-MAR-03			
APPRD.	TD/BE			



Previous package codes

Package code **TB**

Drawing type  
Package drawing, TO-46 with lens

Title **JS004078**



**For more information about all Zarlink products  
visit our Web Site at  
[www.zarlink.com](http://www.zarlink.com)**

Information relating to products and services furnished herein by Zarlink Semiconductor Inc. or its subsidiaries (collectively "Zarlink") is believed to be reliable. However, Zarlink assumes no liability for errors that may appear in this publication, or for liability otherwise arising from the application or use of any such information, product or service or for any infringement of patents or other intellectual property rights owned by third parties which may result from such application or use. Neither the supply of such information or purchase of product or service conveys any license, either express or implied, under patents or other intellectual property rights owned by Zarlink or licensed from third parties by Zarlink, whatsoever. Purchasers of products are also hereby notified that the use of product in certain ways or in combination with Zarlink, or non-Zarlink furnished goods or services may infringe patents or other intellectual property rights owned by Zarlink.

This publication is issued to provide information only and (unless agreed by Zarlink in writing) may not be used, applied or reproduced for any purpose nor form part of any order or contract nor to be regarded as a representation relating to the products or services concerned. The products, their specifications, services and other information appearing in this publication are subject to change by Zarlink without notice. No warranty or guarantee express or implied is made regarding the capability, performance or suitability of any product or service. Information concerning possible methods of use is provided as a guide only and does not constitute any guarantee that such methods of use will be satisfactory in a specific piece of equipment. It is the user's responsibility to fully determine the performance and suitability of any equipment using such information and to ensure that any publication or data used is up to date and has not been superseded. Manufacturing does not necessarily include testing of all functions or parameters. These products are not suitable for use in any medical products whose failure to perform may result in significant injury or death to the user. All products and materials are sold and services provided subject to Zarlink's conditions of sale which are available on request.

Purchase of Zarlink's I<sup>2</sup>C components conveys a licence under the Philips I<sup>2</sup>C Patent rights to use these components in and I<sup>2</sup>C System, provided that the system conforms to the I<sup>2</sup>C Standard Specification as defined by Philips.

Zarlink, ZL and the Zarlink Semiconductor logo are trademarks of Zarlink Semiconductor Inc.

Copyright Zarlink Semiconductor Inc. All Rights Reserved.

**TECHNICAL DOCUMENTATION - NOT FOR RESALE**

---