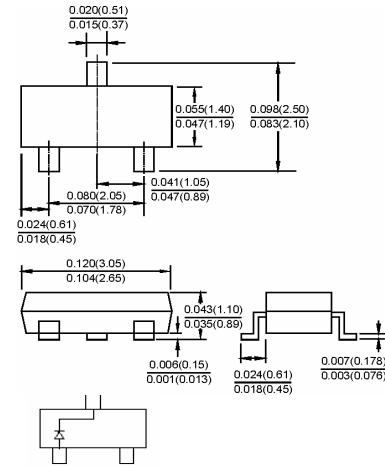


SOT-23



Dimensions in inches and (millimeters)

Features

- ◇ Surface mount package ideally suited for automatic insertion.

Applications

- ◇ Sourced from process GD.

Ordering Information

Type No.	Marking	Package Code
MMBD301	4T	SOT-23

MAXIMUM RATING @ Ta=25°C unless otherwise specified

Characteristic	Symbol	Limits	Unit
DC Reverse Voltage	V_R	30	V
Power Dissipation	P_d	200	mW
Operating Junction Temperature Range	T_j	150	°C
Storage Temperature Range	T_{STG}	-55 to +150	°C

ELECTRICAL CHARACTERISTICS @ Ta=25°C unless otherwise specified

Characteristic	Symbol	Min.	TYP.	MAX	UNIT	Test Condition
Reverse Breakdown Voltage	$V_{(BR)R}$	30			V	$I_R=10\mu A$
Forward Voltage	V_F			450 600	mV	$I_F=1.0mA$ $I_F=10mA$
Reverse Current	I_R			0.2	nA	$V_R=3.0V$
Diode Capacitance	C_D			1.5	pF	$V_R=15V, f=1.0MHz$