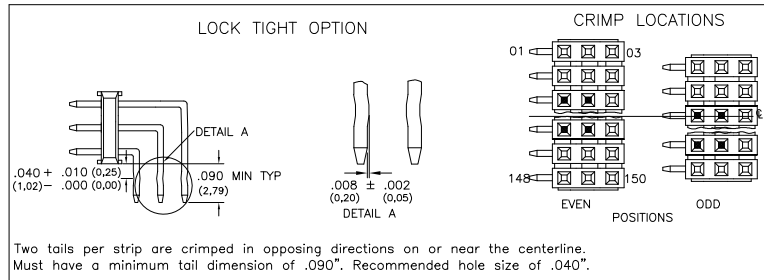
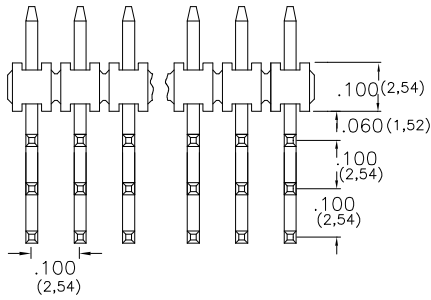
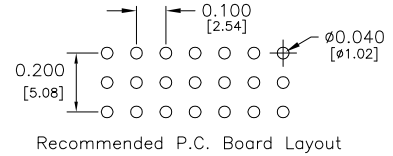
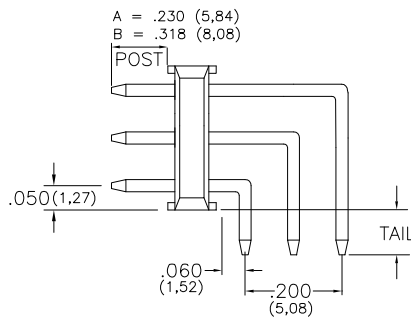
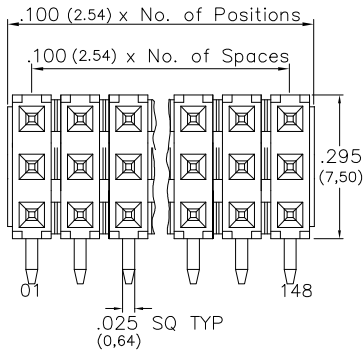


Major League Electronics .100 cl Low Profile Terminal Strip Header - Right Angle



Two tails per strip are crimped in opposing directions on or near the centerline. Must have a minimum tail dimension of .090". Recommended hole size of .040".

Tails may be clipped to achieve desired pin length

Ordering Information

LTSHR-1 [XX] - T - [XX] - [X] - [XX] - [XX] - [XX] - [X] - LF

Pins Per Row
01 - 50

Row Specification
T = Triple Row

Lead Free

Every Other Pin Filled (.200 Centers)
Leave blank if not needed
E = Filled

Polarized Position
Leave blank if not needed
If required, specify empty pin position, e.g. 012 for Pin 12

Lock Tight "LT" (Optional)
LT = With
Leave blank if not needed

		Pin Option		
Tail With .230 Post	Tail With .318 Post			
.110	2.79mm	N/A	N/A	02
.210	5.33mm	.122	3.10mm	04
.310	7.87mm	.222	5.64mm	06
.410	10.42mm	.322	8.18mm	08
.510	12.95mm	.422	10.71mm	10
.610	15.49mm	.522	13.26mm	12
.710	18.03mm	.622	15.80mm	14

Desired Post Height
A = .230 (5.84)
B = .318 (8.08)

Plating Options	
G	- 10µ Gold on Contact area/Flash on Tail
T	- Matte Tin all Over
GT	- 10µ Gold on Contact Area / Matte Tin on Tail
H	- 30µ Gold on Contact Area / Matte Tin on Tail
F	- Gold Flash Over Entire Pin

Specifications

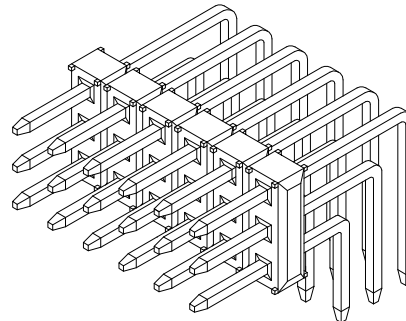
Current Rating: 3.0 Ampere
Insulation Resistance: 1000MΩ Min.
Dielectric Withstanding: 600V AC
Contact Resistance: 20 mΩ Max.
Operating Temperature: -40°C to + 105°C
Max. Process Temperature:
Peak: 260°C up to 20 secs.
Process: 230°C up to 60 secs.
Wave: 260°C up to 6 secs.
Manual Solder: 350°C up to 5 secs.

Materials

Contact Material: Phosphor Bronze
Insulator Material: Nylon 6T
Plating: Au or Sn over 50µ" (1.27) Ni

Mates with:

BCSS,
BSSH,
BSSHQ,
BSSQ,
BSSQC,
BSSQM,
LBCSS,
LSMBC,
LSWSS,
SMBC,
SSHQ,
SSHQR,
SSHR,
SSHS,
SSHSM



Products cut to specific sizes are uncancellable/nonreturnable

Parts are subject to change without notice

LTSHR-1-T SERIES

.100 cl Triple Row - Right Angle
Low Profile Terminal Strip Header

17 JAN 07

Scale
NTS

UNLESS OTHERWISE SPECIFIED
DIMENSIONS IN INCHES (MM)
TOLERANCES ARE:

ONE PLACE DECIMALS ±.100
TWO PLACE DECIMALS ±.010
THREE PLACE DECIMALS ±.005
FOUR PLACE DECIMALS ±.0020
ANGLES
±.5°



4235 Earnings Way, New Albany, Indiana, 47150, USA
1-800-782-3486 (USA/Canada/Mexico)
Tel: 812-944-7244
Fax: 812-944-7268
E-mail: mle@mlelectronics.com
Web: www.mlelectronics.com

Edition
1

Sheet
1/1