

**ELECTRONIC AM/FM TUNER.****FEATURES**

- Super Compact 1-Pack FM+AM (MW) Tuner.
- Ideal for Portable Radio and Music Center.
- Upper Side Band Super Heterodyne System.
- SD and IF Counter Terminal for DTS System Application.
- IF Request Composite Terminal.
- Use of AM BAR ANT.
- Recommended Operation Voltage : 4~6V.

**MAXIMUM RATING (Ta=25℃)**

CHARACTERISTIC		RATING	UNIT
Power Supply Voltage		8.0	V
Tuning Voltage	FM	7.9	V
	AM	7.9	
Operating Temperature Range		-20~70	℃
Storage Temperature Range		-30~80	℃

**OPERATING VOLTAGE (Ta=25℃)**

CHARACTERISTIC		RATING	UNIT
Power Supply Voltage	FM	5	V
	AM		
	MPX		

# KCC902V/H

## ELECTRICAL CHARACTERISTICS (FM)

(Unless Otherwise Specified :  $V_{CC}=5.0V$ ,  $V_i=60dB\mu V$ ,  $f_i=98MHz$ ,  $\Delta f=22.5kHz$ ,  $f_m=1kHz$ )

CHARACTERISTIC		TEST CONDITION	MIN.	TYP.	MAX.	UNIT (EMF)
Frequency Range			87.5	-	108	MHz
Usable Sensitivity		S/N=30dB	-	12	16	dB $\mu V$
Limiting Sensitivity		Detected Output -3dB	-	10	15	dB $\mu V$
S/N Ratio (Mono)			55	58	-	dB
Image Rejection Ratio		Limiting Sensitivity	40	50	-	dB
IF Rejection Ratio		Limiting Sensitivity	55	60	-	dB
AM Rejection Ratio		AM: 400Hz, 30% Mod	35	40	-	dB
Stereo Separation		$\Delta f=75kHz$ DEV, (With 19kHz Filter) $f_m=100Hz, 1kHz, 10kHz$	25	35	-	dB
THD		$\Delta f=22.5kHz$ DEV.	-	0.6	1	%
Over Modulation THD		$\Delta f=75kHz$ DEV.	-	1	3	%
Audio Fidelity (-3dB, 1kHz=0dB)	LOW	50 $\mu$ S Pre-emphasis	-	-	90	Hz
	HIGH		9	10	-	kHz
Stereo THD		Input:60dB 400Hz 75kHz dev, Pilot:10%	-	2	3	%
Stereo Lamp Sensitivity		Input:60dB 400Hz 75kHz dev	15	10	-	dB
S/N Ratio(Stereo)		Input:60dB 400Hz 75kHz dev, Pilot:10%	37	45	-	dB
Auto Search Level		90MHz, 98MHz, 106MHz	25	20	-	dBuV
AF Output Level		1kHz, 22.5kHz DEV.	50	-	70	mV <sub>rms</sub>
AF Out Channel Difference			-	-	3	dB
AF/FM Level Out Difference			-	1	2	dB

\* Dummy Condition : Using 75 $\Omega$  Direct.

# KCC902V/H

## ELECTRICAL CHARACTERISTICS (MW)

(Unless Otherwise Specified :  $V_{CC}=5.0V$ ,  $V_i=74dB\mu V$ ,  $f_i=1MHz$ ,  $Mod=30\%$ ,  $f_m=400Hz$ )

CHARACTERISTIC		TEST CONDITION	MIN.	TYP.	MAX.	UNIT (EMF)
Maximum Sensitivity		$f_i=600, 1000, 1400kHz(S/N=6dB)$	-	44	48	dB
Usable Sensitivity		$S/N=20dB(f_i=600, 1000, 1400kHz)$	-	50	55	$dB\mu V$
S/N Ratio		Input $74dB\mu V$ 30% MOD	35	40	-	dB
Image Rejection		$f_i=1400kHz$	35	40	-	dB
IF Rejection		$f_i=600kHz$	45	50	-	dB
Band Width		Detected Output $-6dB$	4	7	9	kHz
Selectivity		$f_i=1000kHz \pm 10kHz$	25	30	-	dB
AF Output Voltage		$V_i=74dB\mu V$	50	-	70	mV
OSC Output Voltage		$1k\Omega$ Load	350	500	-	mVp-p
Auto Search Level		$f_i=600, 1000, 1400kHz$ (Must be 8dB Below at 3 Point)	-	-	70	dB
Tracking Error		$f_i=1000kHz$	-	-	4	dB
THD		Mod=30%, $74dB\mu V$	-	1.0	2.0	%
		Mod=80%, $100dB\mu V$	-	3	5	
Audio Fidelity	Low	Mod=30%, $400Hz=0dB -6dB$ Point	70	90	-	Hz
	High		1.3	2.5	-	kHz
2IF Rejection		Input $60dB$	-	10	15	%
		Input $74dB$	-	5	10	
		Input $94dB$		5	10	

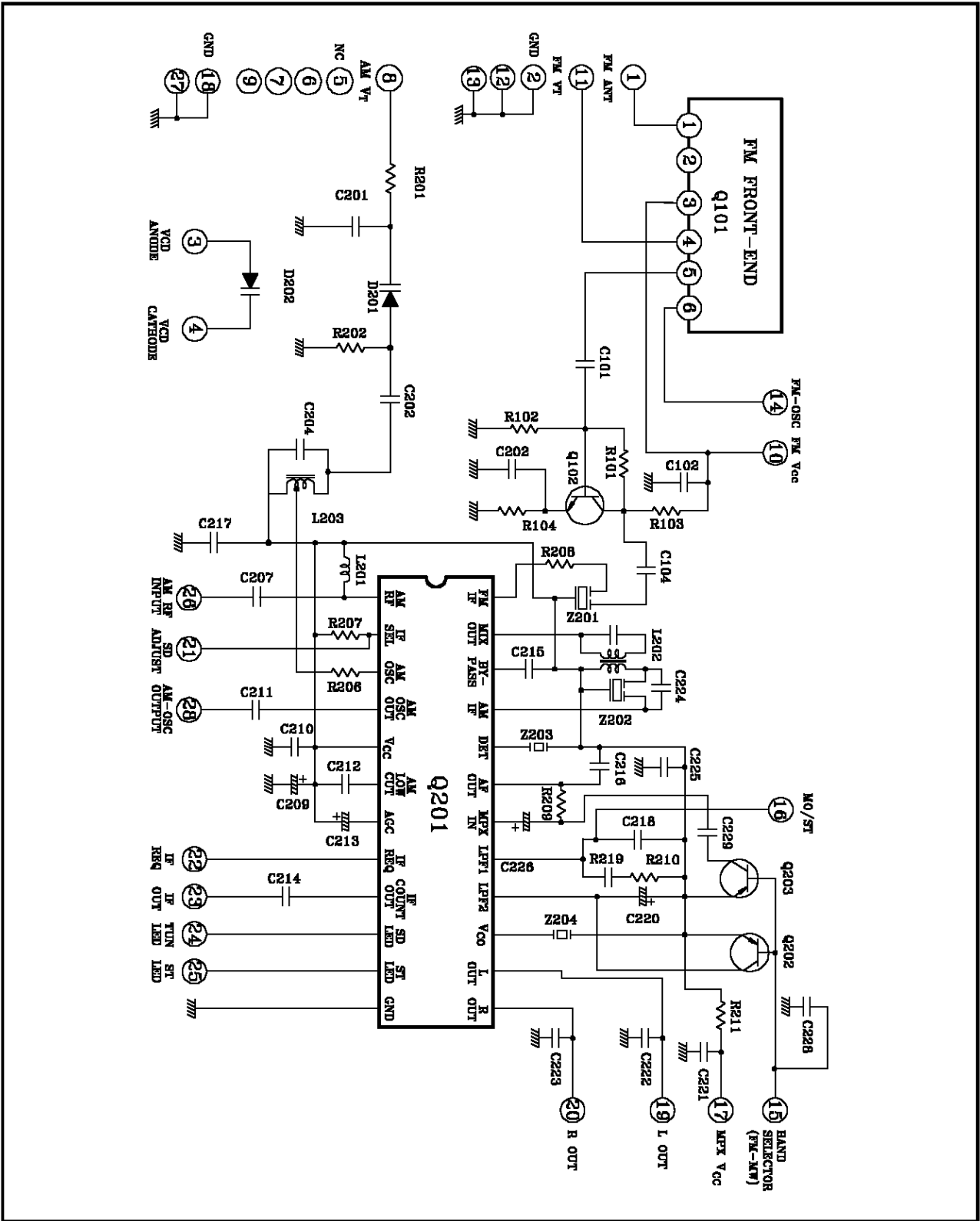
\* Dummy Condition : Using  $50\Omega$ , Loop ANT.

\* Bar ANT Condition : Using Bar ANT(Part No.→634-211P) ☞ BOO SUNG Electronics.(☎: 0343-72-7291~2)

\* MW  $V_T$  :  $522kHz \rightarrow 1.0Volt$

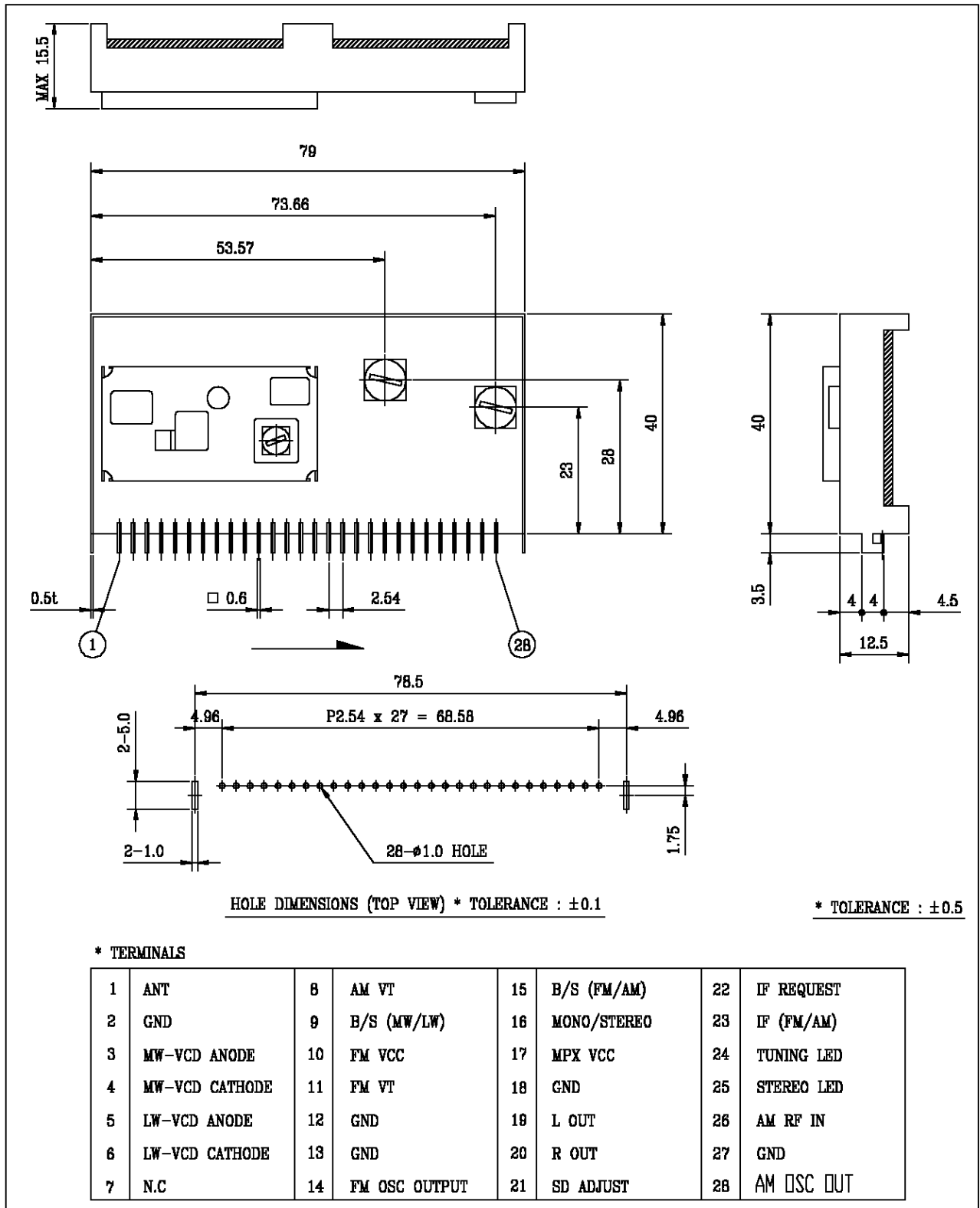
# KCC902V/H

## INTERNAL CIRCUIT



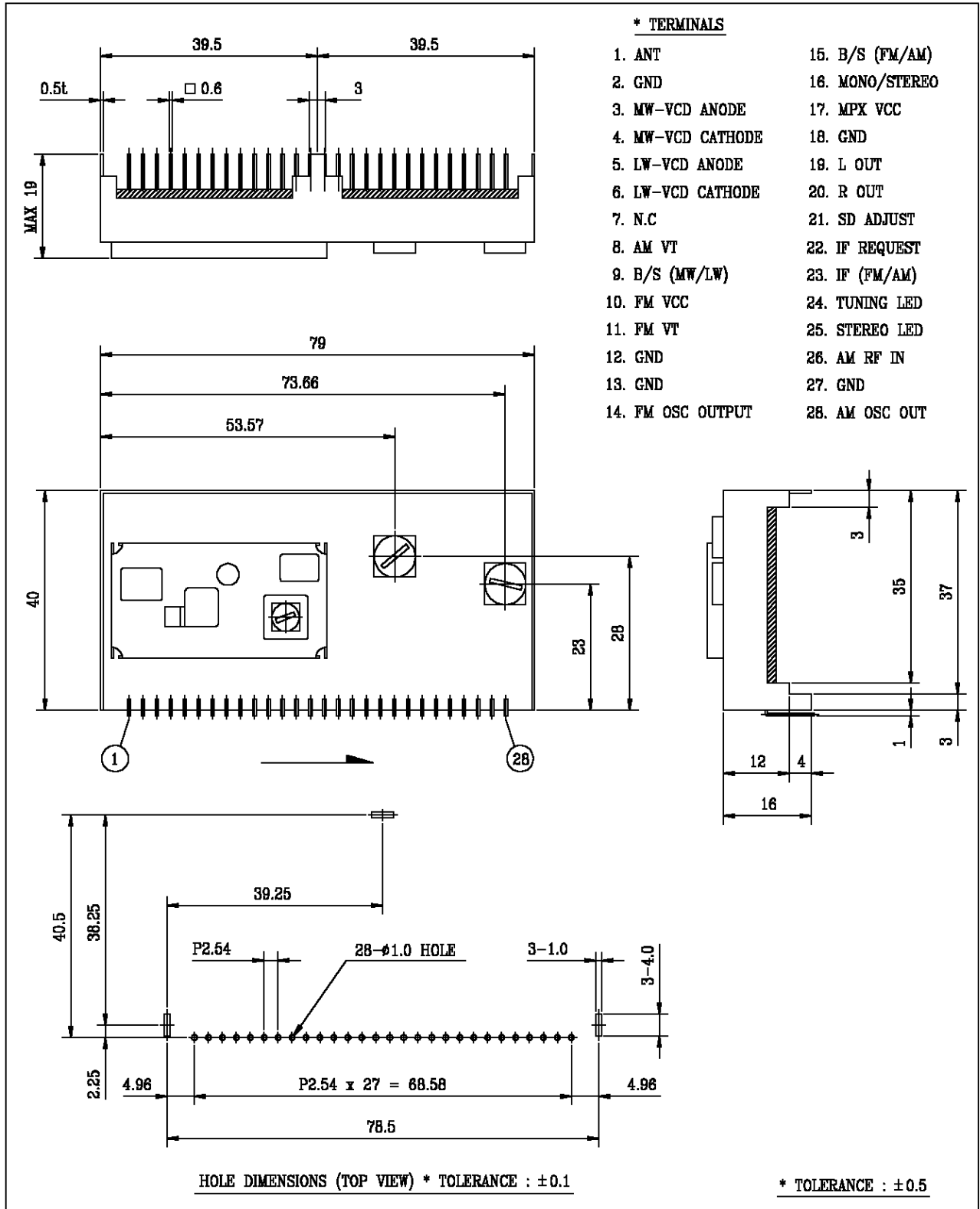
# KCC902V/H

## OUTLINE DIMENSIONS (Unit:mm)



# KCC902V/H

## OUTLINE DIMENSIONS (Unit:mm)



# KCC902V/H

## APPLICATION

