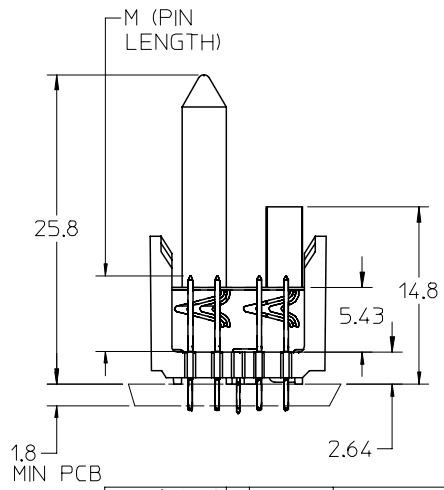
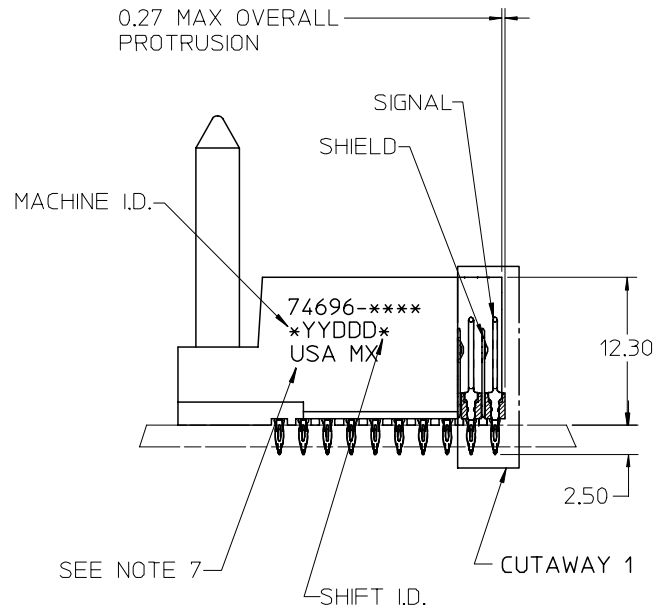
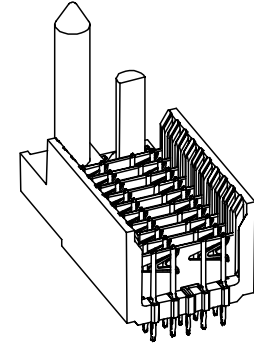
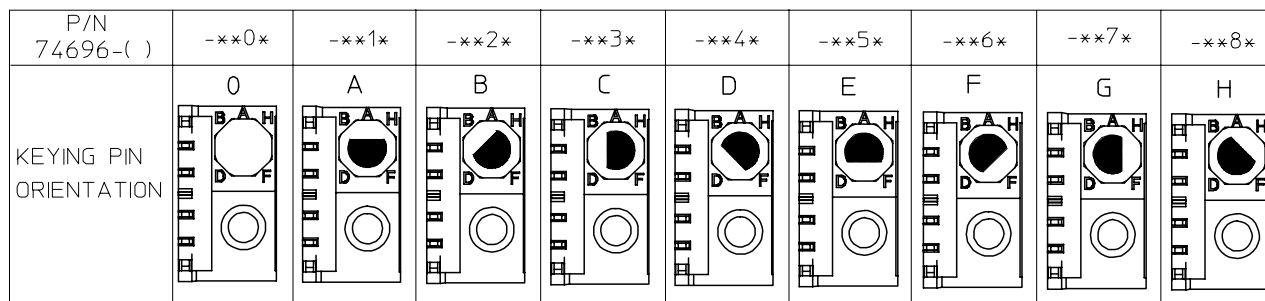


$\phi 0.66$ DRILL
 $\phi 0.56 \pm 0.05$ PTH
 $\phi 1.00$ PAD
 $\phi 0.10$
BACKPLANE HOLE PATTERN
 RECOMMENDED DIMENSION



- NOTES:
1. MATERIAL: HOUSING -LIQUID CRYSTAL POLYMER (LCP) GLASS-FILLED. UL 94 V-0. COLOR: BLACK. SIGNAL & SHIELD -COPPER ALLOY.
 2. FINISHES: SELECTIVE GOLD (Au) ON CONTACT AREA. SELECTIVE TIN/LEAD (Sn/Pb) ON PCB TAILS. NICKEL (Ni) OVERALL.
 3. THIS PART CONFORMS TO MOLEX PRODUCT SPECIFICATION PS-74031-999.
 4. FOR MIXED CONTACT MATING LENGTHS CONSULT MOLEX FOR AVAILABILITY.
 5. FOR SPECIFIC PART NUMBER AND MATING INFORMATION REFER TO SHEET 2.
 6. PACKAGE PER PK-74696-003.
 7. EITHER MARK PART NUMBER AND DATE CODE APPROXIMATELY WHERE SHOWN OR PLACE LABEL ON THE TUBE.

REVISED - PLATING NOTE EC NO: UCP2005-2161 DRWN: JBINGHAM 2005/04/07 CHKD: 2005/04/07 APPR: CBIXLER 2005/04/08	DESCRIPTION REV	QUALITY SYMBOLS	GENERAL TOLERANCES (UNLESS SPECIFIED)	SCALE 2.5:1	DESIGN UNITS METRIC	THIRD ANGLE PROJECTION	REVISE ON CAD ONLY																
		$\nabla = 0$ $\sphericalangle = 0$	<table border="1"> <thead> <tr> <th></th> <th>mm</th> <th>INCH</th> </tr> </thead> <tbody> <tr> <td>4 PLACES</td> <td>\pm ---</td> <td>\pm ---</td> </tr> <tr> <td>3 PLACES</td> <td>\pm ---</td> <td>\pm ---</td> </tr> <tr> <td>2 PLACES</td> <td>\pm ---</td> <td>\pm ---</td> </tr> <tr> <td>1 PLACE</td> <td>\pm ---</td> <td>\pm ---</td> </tr> </tbody> </table>		mm	INCH	4 PLACES	\pm ---	\pm ---	3 PLACES	\pm ---	\pm ---	2 PLACES	\pm ---	\pm ---	1 PLACE	\pm ---	\pm ---	DIMENSION STYLE MM ONLY	TITLE	HSD SALES ASSEMBLY ADVANCED MATE 5 ROW SIGNAL END BACKPLANE		
			mm	INCH																			
		4 PLACES	\pm ---	\pm ---																			
3 PLACES	\pm ---	\pm ---																					
2 PLACES	\pm ---	\pm ---																					
1 PLACE	\pm ---	\pm ---																					
DRAFT WHERE APPLICABLE MUST REMAIN WITHIN DIMENSIONS	APPROVED BY CBIXLER	DATE 2001/10/12	MATERIAL NO. SEE SHEET 2	DOCUMENT NO. SD-74696-003	SHEET NO. 1 OF 2	MOLEX INCORPORATED																	
THIS DRAWING CONTAINS INFORMATION THAT IS PROPRIETARY TO MOLEX INCORPORATED AND SHOULD NOT BE USED WITHOUT WRITTEN PERMISSION							B																

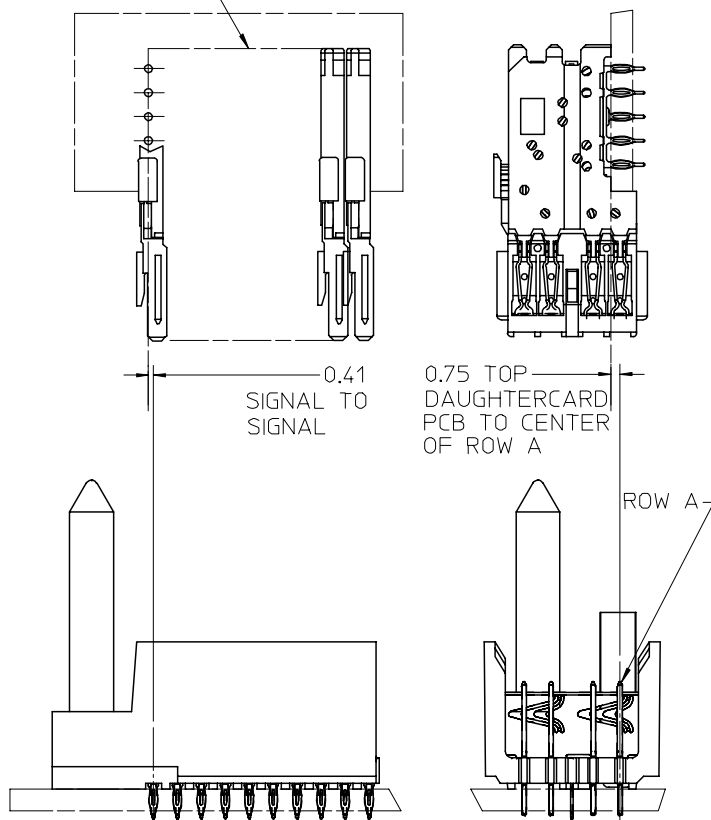


74696-***

COLUMN CODE
11 & 26

CONTACT LOAD
(PIN LENGTH)
1 & 6 = 4.75
2 & 7 = 6.25
3 & 8 = 4.25
4 & 9 = 5.15

DAUGHTERCARD
CONNECTOR SIDE



PART NUMBER	COLUMN	NUMBER OF SIGNALS	NUMBER OF SHIELDS	A	B	M	Au (um) MIN THICKNESS	Sn (um) THICKNESS
74696-11*1	10	40	10	27.00	18.00	4.75	0.76	0.76-1.52
74696-11*6							1.27	
74696-26*1	25	100	25	57.00	48.00	6.25	0.76	
74696-26*6							1.27	
74696-11*2	10	40	10	27.00	18.00	4.25	0.76	
74696-11*7							1.27	
74696-26*2	25	100	25	57.00	48.00	5.15	0.76	
74696-26*7							1.27	
74696-11*3	10	40	10	27.00	18.00	4.75	0.76	
74696-11*8							1.27	
74696-26*3	25	100	25	57.00	48.00	6.25	0.76	
74696-26*8							1.27	
74696-11*4	10	40	10	27.00	18.00	5.15	0.76	
74696-11*9							1.27	
74696-26*4	25	100	25	57.00	48.00	4.25	0.76	
74696-26*9							1.27	

SEE SHEET 1 EC NO: UCP2005-2161 DRWN: BINGHAM 2005/04/07 CHKD: 2005/04/07 APPR: CBIXLER 2005/04/08	QUALITY SYMBOLS	GENERAL TOLERANCES (UNLESS SPECIFIED)	SCALE 2.5:1	DESIGN UNITS METRIC	THIRD ANGLE PROJECTION	REVISE ON CAD ONLY	
	DESCRIPTION ▼ = 0 ◁ = 0	4 PLACES ± --- ± --- 3 PLACES ± --- ± --- 2 PLACES ± --- ± --- 1 PLACE ± --- ± ---	DIMENSION STYLE MM ONLY	TITLE			
		ANGULAR ±1/2°	HSD SALES ASSEMBLY ADVANCED MATE 5 ROW SIGNAL END BACKPLANE				
	DRAFT WHERE APPLICABLE MUST REMAIN WITHIN DIMENSIONS	APPROVED BY DATE	CHECKED BY DATE	MATERIAL NO. DOCUMENT NO. SHEET NO.			
	CBIXLER 2001/10/12	JLAURX 2001/10/12	SEE TABLE SD-74696-003 2 OF 2				
THIS DRAWING CONTAINS INFORMATION THAT IS PROPRIETARY TO MOLEX INCORPORATED AND SHOULD NOT BE USED WITHOUT WRITTEN PERMISSION							