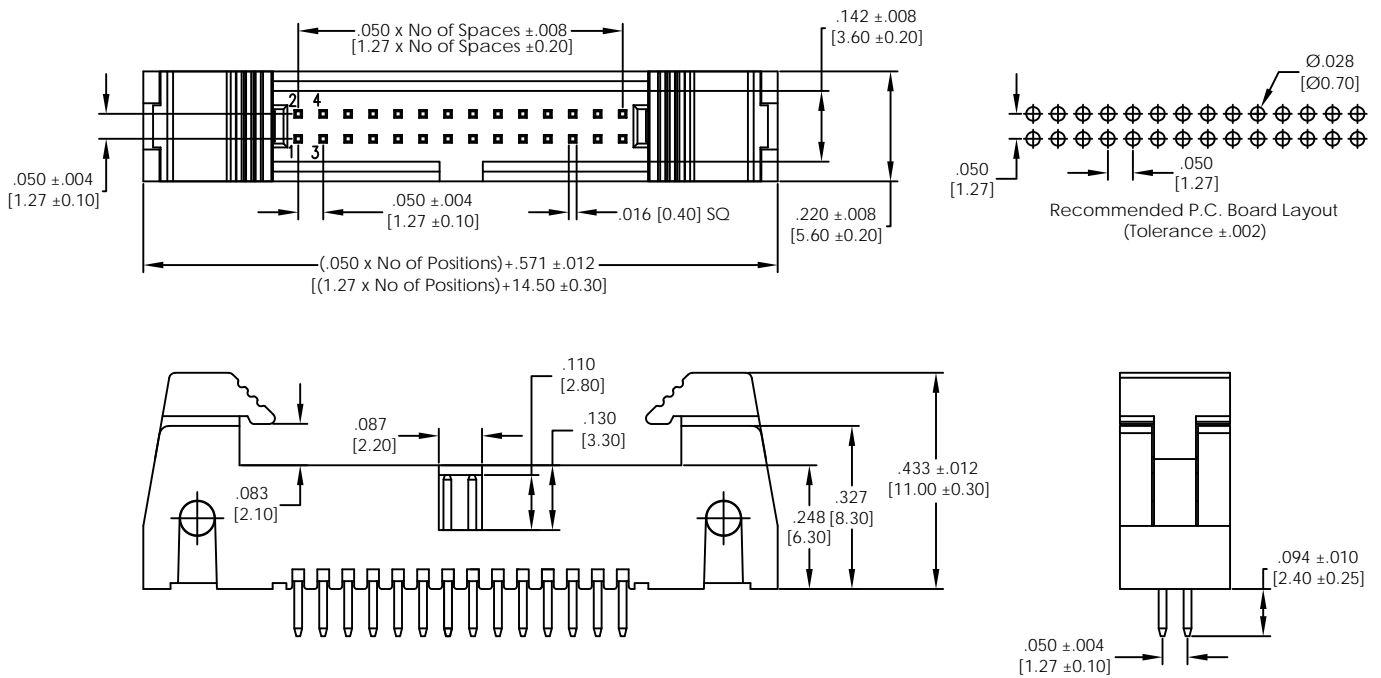


# Major League Electronics .050" cl x .050" cl Latching Shrouded Header



## Ordering Information

SHTSL-5 **XX** - **D** - **02** - **XX** - **LL** - **XXX** - **TB** - **LF**

Pins Per Row  
Only available in:  
05, 07, 08, 10, 12, 13,  
15, 17, 20, 22, 25, 30

Double

Style  
02 = Thru Hole

Lead Free

Packaging Option  
TB = Tube

Polarized Position  
001-060  
Leave blank if not needed

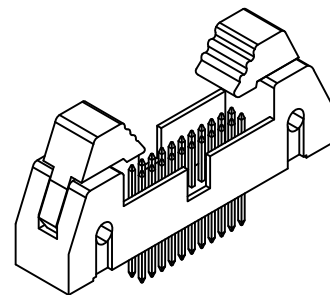
Ejector Latch  
LL = Long

Plating Options	
- 10µ Gold on Contact Area/Flash on Remainder	G
- Gold Flash on Contact Area/Matte Tin on Remainder	FT
- Matte Tin all Over	T
- Gold Flash Over Entire Pin	F

Standard plating = F

Mates with:

Cable assemblies available from MLE



Insulator	PA6T+30% G.F, UL94V-0	Current Rating	1 Amp
Contact	Brass	Dielectric Withstanding	500V AC/DC
Insulation resistance	1000 MΩ min.	Operating Temperature	-40°C to +105°C
Contact resistance	20 mΩ max.	Color	Black

Products cut to specific sizes are uncancellable/nonreturnable

Parts are subject to change without notice

SHTSL-5 SERIES

.050" cl x .050" cl Latching Shrouded Header - Straight

25 MAR 11

Scale  
NTS

UNLESS OTHERWISE SPECIFIED  
DIMENSIONS IN INCHES (MM)

TOLERANCES ARE:  
ONE PLACE DECIMALS ±.016  
TWO PLACE DECIMALS ±.010  
THREE PLACE DECIMALS ±.006  
ANGLES: ±3.0°

*Major League*  
**ELECTRONICS**

4235 Earnings Way, New Albany, Indiana, 47150, USA  
1-800-782-3486 (USA/Canada/Mexico)  
Tel: 812-944-7244  
Fax: 812-944-7268  
E-mail: mle@mlelectronics.com  
Web: www.mlelectronics.com

Edition  
A

Sheet  
1/1