

***PRELIMINARY***  
***DATASHEET***  
***V0.4***

[www.DataSheet4U.com](http://www.DataSheet4U.com)

2007-04-18

**RDAT212**  
**RF Front-end Module**  
**for Bluetooth Wireless Communication**

## RDAT212 for Bluetooth (2400~2500MHz)

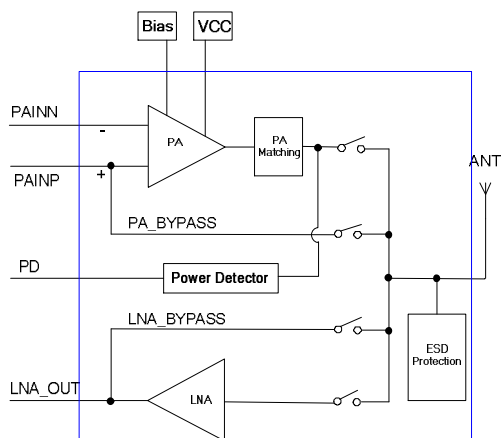
The RDAT212 includes a power amplifier, a low noise amplifier and an antenna switch. The PA and the LNA are manufactured on HBT and HEMT process respectively. This chip is designed for Bluetooth high power application. The package of this chip is 3×3mm<sup>2</sup> MLPQ (QFN)\* with 16 pins.

PA and LNA bypass function is available for class 2 application. Shutdown function of PA and LNA is implemented. Power detector is integrated to monitor the output power.

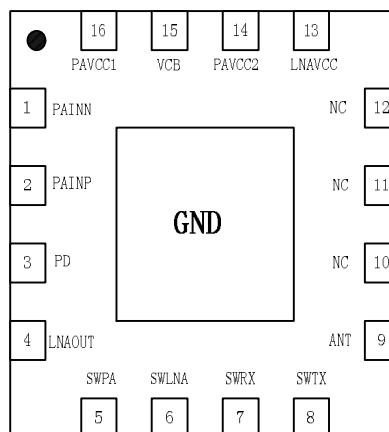
### Features

- | PA +LNA+ Antenna Switch
- | 18dBm linear power@-30dBc IM3
- | Integrate power detector
- | 2.6dB noise figure and 8dBm IIP3 LNA
- | PA and LNA bypass function
- | Input/Output matched @ 50 Ω
- | Low supply voltage (3.0V)

### www.DataSheet4U.com Function Block Diagram



### Pin Assignment



### Pin Name definition

Pin Number	Pin Name	
1	PAINN	PA RF in negative
2	PAINP	PA RF in positive and PA bypass function
3	PD	Power Detector
4	LNAOUT	LNA output and LNA bypass function
5	SWPA	Switch PA control
6	SWLNA	Switch LNA control
7	SWRX	Switch RX control
8	SWTX	Switch TX control
9	ANT	Antenna port
10	NC	Not connected
11	NC	Not connected
12	NC	Not connected
13	LNAVCC	LNA power supply
14	PAVCC2	PA power supply for 2nd stage
15	VCB	PA BIAS power supply
16	PAVCC1	PA power supply for 1st stage

## Preliminary Electrical Target Specifications

The following tables list the electrical characteristics of the RDAT212. Table 1 lists the absolute maximum ratings. Table 2 is the logic function table. Table 3, 4, 5 show the electrical specifications for Bluetooth nominal operating conditions.

**Table 1. Absolute Maximum Ratings**

Parameter	Rating	Unit
Supply Voltage (RF off)	+6	V
Control Voltage	+4	V
Input RF Power	10	dbm
Operating Case Temperature	-40 to +85	°C
Storage Temperature	-55 to +150	°C

**Table 2. Logic Function Table**

Mode	SWPA	SWLNA	SWRX	SWTX
PA On	2.8~3.0V	0	0	>2.5V
LNA On	0	2.8~3.0V	>2.5	0
PA BYPASS	0	0	0V	>2.5V
LNA BYPASS	0	0	>2.5V	0

**Table 3. Electrical Specifications for Power Amplifier**

(PAVCC1=PAVCC2=VCB=LNAVCC=3.3V, SWPA=2.8V, SWLNA=0V, SWRX=0V, SWTX=2.8V, f=2.45GHz, Ta=25°C, Zg=Zl=50 Ω )

Characteristics	Test Condition	Min.	Typ.	Max.	Unit
Operating frequency		2400	-	2500	MHz
Quiescent Current			20		mA
Supply Current	Pout=20dBm			100	mA
Power gain	Pout=20dBm		20		dB
Input S11	Pin=-30dBm	-20		-10	dB
Output S22	Pin=-30dBm	-15		-6	dB
Bias current	Pout=20dBm			4	mA
IM3	Pout=18dBm		-30		dBc
Harmonics				-50	dBc

**Table 4. Electrical Specifications for PA BYPASS MODE**

(PAVCC1=PAVCC2=VCB=LNAVCC=3.3V, SWPA=0V, SWLNA=0V, SWRX=0V, SWTX=2.8V, f=2.45GHz, Ta=25°C, Zg=Zl=50 Ω )

Characteristics	Test Condition	Min.	Typ.	Max.	Unit
Operating frequency		2400	-	2500	MHz
Input S11	Pin=-30dBm	-20		-10	dB
Output S22	Pin=-30dBm	-20		-10	dB
Insertion Loss			3.6		dB

www.DataSheet4U.com

**Table 5. Electrical Specifications for LNA MODE**

(PAVCC1=PAVCC2=VCB=LNAVCC=3.3V, SWPA=0V, SWLNA=3V, SWRX=3V, SWTX=0V, f=2.45GHz, Ta=25°C, Zg=Zl=50 Ω )

Characteristics	Test Condition	Min.	Typ.	Max.	Unit
Operating frequency		2400	-	2500	MHz
Quiescent Current			4.5		mA
Power gain			10		dB
Input S11	Pin=-30dBm	-20		-10	dB
Output S22	Pin=-30dBm	-20		-10	dB
NF			2.6		dB
IIP3			8		dBm

**Table 6. Electrical Specifications for LNA BYPASS MODE**

(PAVCC1=PAVCC2=VCB=LNAVCC=3.3V, SWPA=0V, SWLNA=0V, SWRX=3V, SWTX=0V, f=2.45GHz, Ta=25°C, Zg=Zl=50 Ω )

Characteristics	Test Condition	Min.	Typ.	Max.	Unit
Operating frequency		2400	-	2500	MHz
Input S11	Pin=-30dBm	-20		-10	dB
Output S22	Pin=-30dBm	-20		-10	dB
Insertion Loss			2.6		dB

### PA Performance

(PAVCC1=PAVCC2=VCB=LNAVCC=3.3V, SWPA=2.8V, SWLNA=0V, SWRX=0V, SWTX=2.8V, f=2.45GHz, Ta=25°C, Zg=Zl=50Ω, temperature sweep -20~80°C)

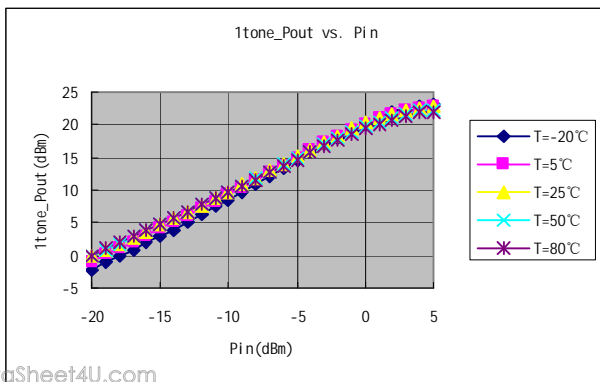


Fig1. 1\_tone Pout vs. Pin

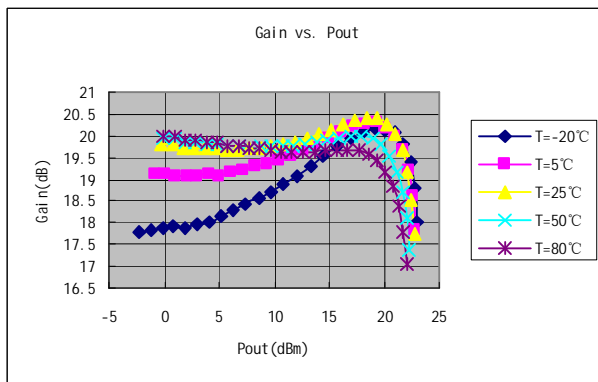


Fig2. Gain vs. 1\_tone Pout

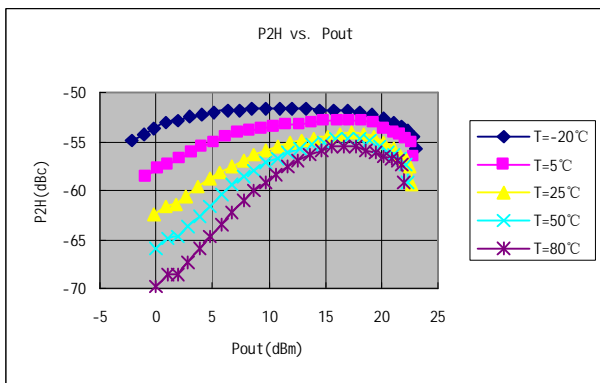


Fig3. 2<sup>nd</sup> harmonic vs. 1\_tone Pout

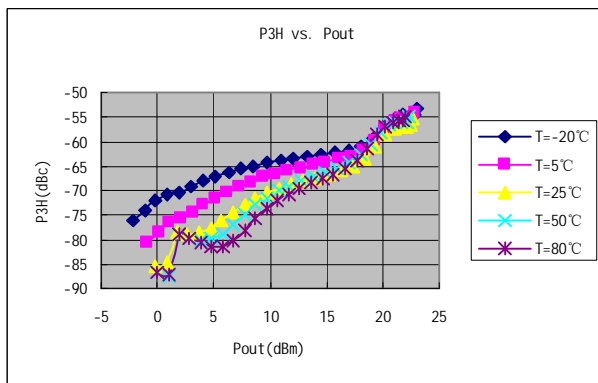


Fig4. 3<sup>rd</sup> harmonic vs. 1\_tone Pout

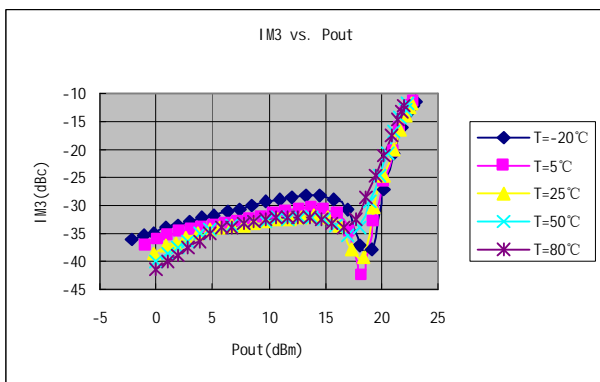


Fig5. 3<sup>rd</sup> intermodulation vs. Pout

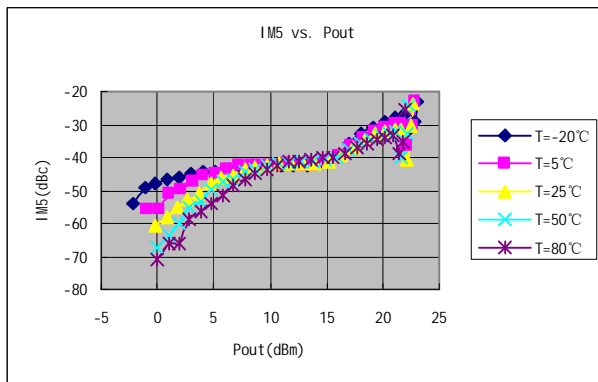


Fig6. 5<sup>th</sup> intermodulation vs. Pout

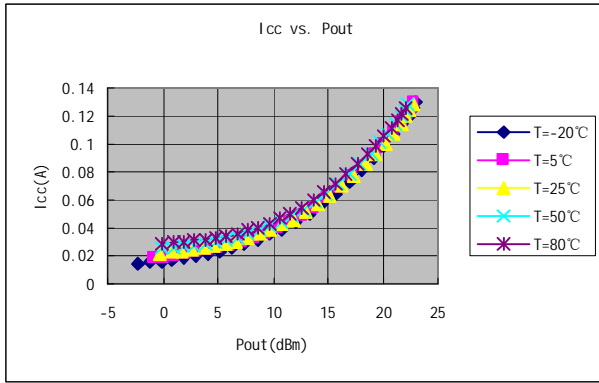


Fig9. ICC vs. Pout

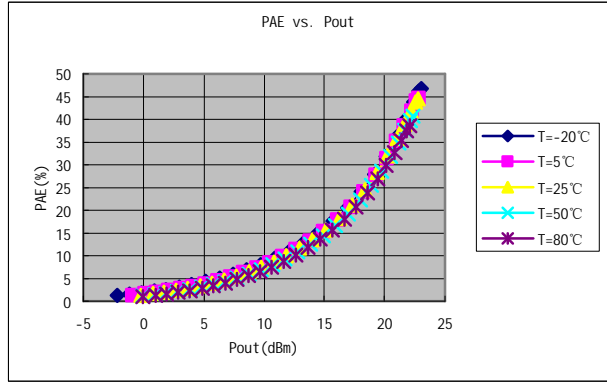


Fig10. PAE vs. Pout

www.DataSheet4U.com

**Power Detector performance**

(PAVCC1=PAVCC2=VCB=LNAVCC=3.3V, SWPA=2.8V, SWLNA=0V, SWRX=0V, SWTX=2.8V, f=2.45GHz, Ta=25°C, Zg=Zl=50Ω, temperature sweep -20~80°C)

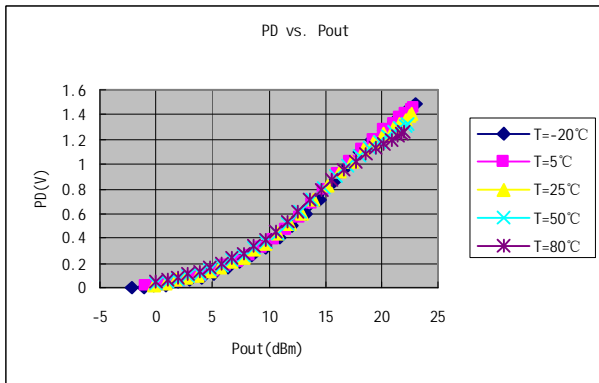


Fig11. Power Detector vs. Pout

**LNA performance**

(PAVCC1=PAVCC2=VCB=LNAVCC=3.3V, SWPA=0V, SWLNA=3V, SWRX=3V, SWTX=0V, f=2.45GHz, Ta=25°C, Zg=Zl=50Ω, temperature sweep -20~80°C)

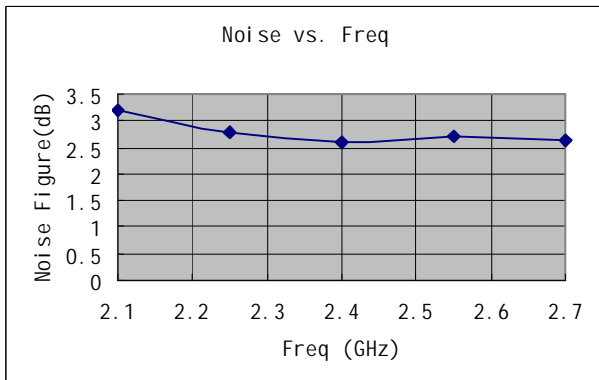


Fig12. Noise figure vs. frequency

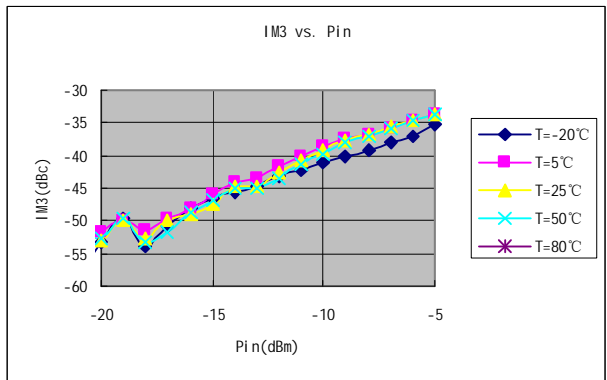
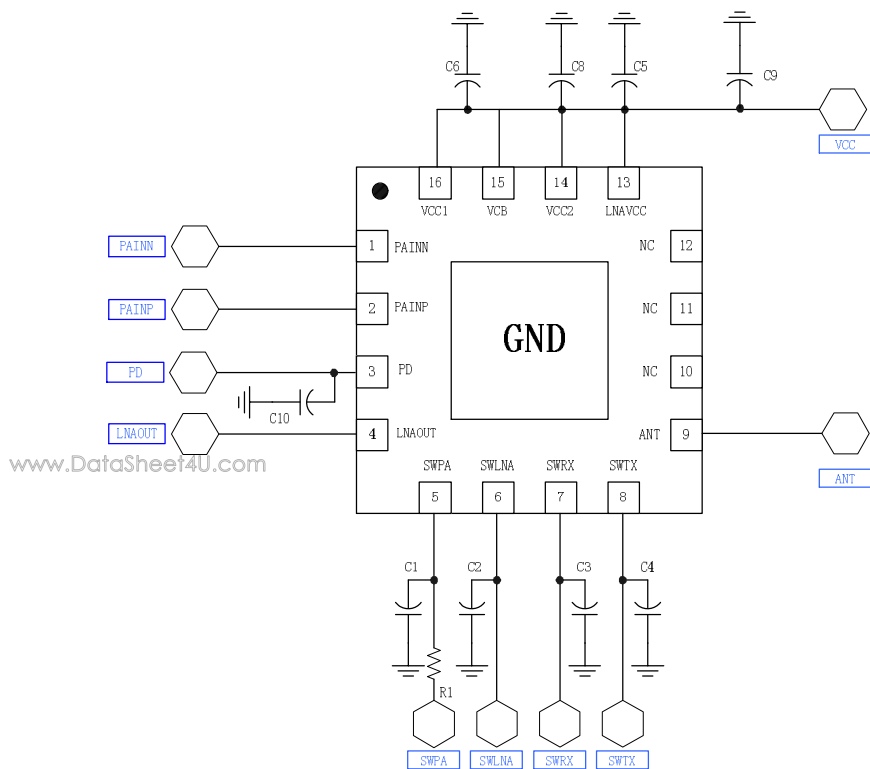


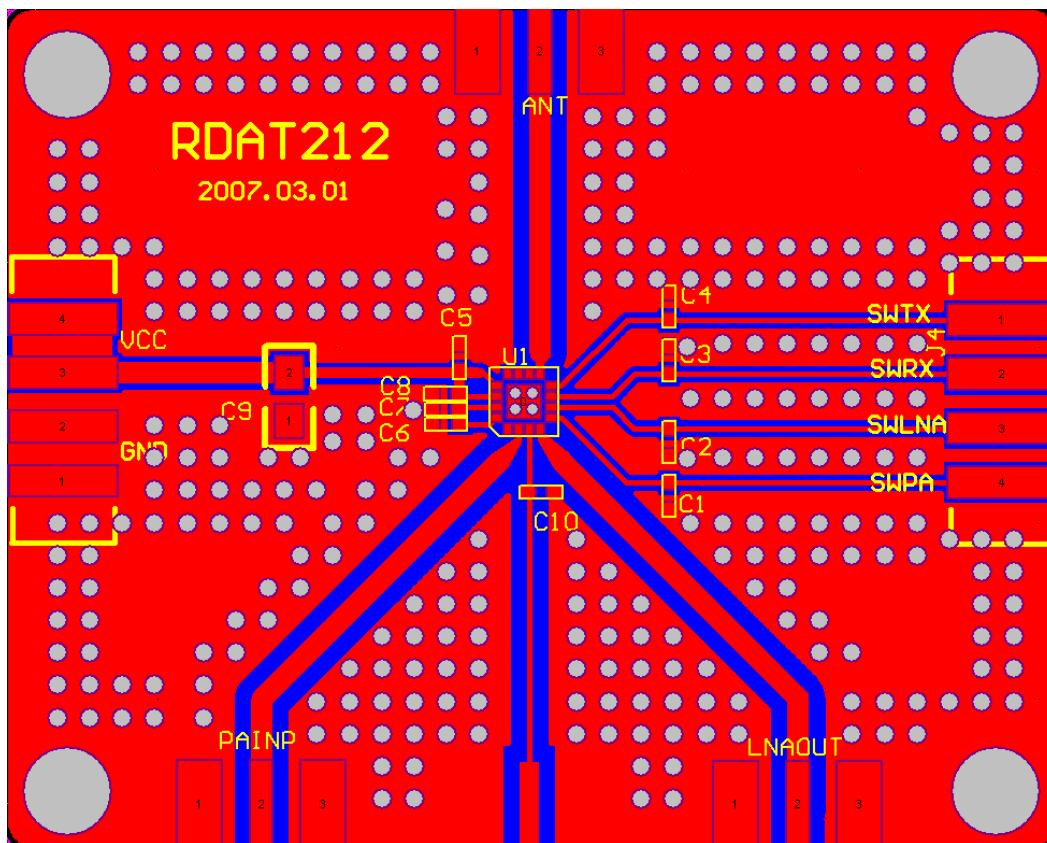
Fig13. 3<sup>rd</sup> intermodulation vs. Pin

### Test Circuit for RDAT212

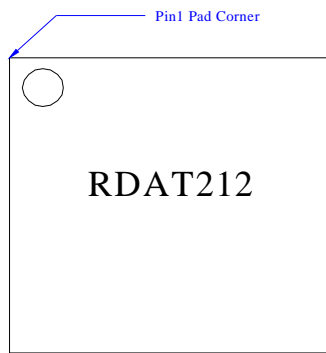


Component	Value
C1	1000 pF
C2	1000 pF
C3	1000 pF
C4	1000 pF
C5	820 pF
C6	680 pF
C8	1000 pF
C9	10 uF
C10	100 pF
R1	0 Ω (Tuning PA gain)

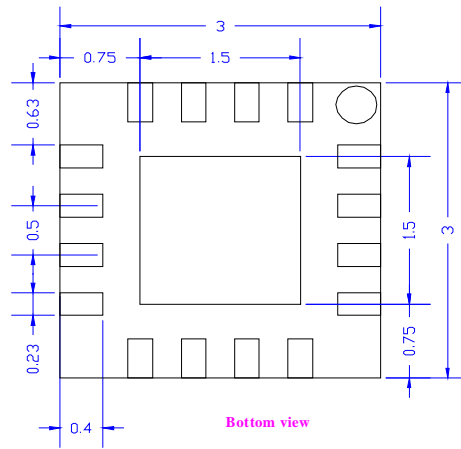
### Recommended PCB Layout



### Package Dimensions and Pin Descriptions



www.DataSheet4U.com Top view





### Recommended PCB Land Pattern

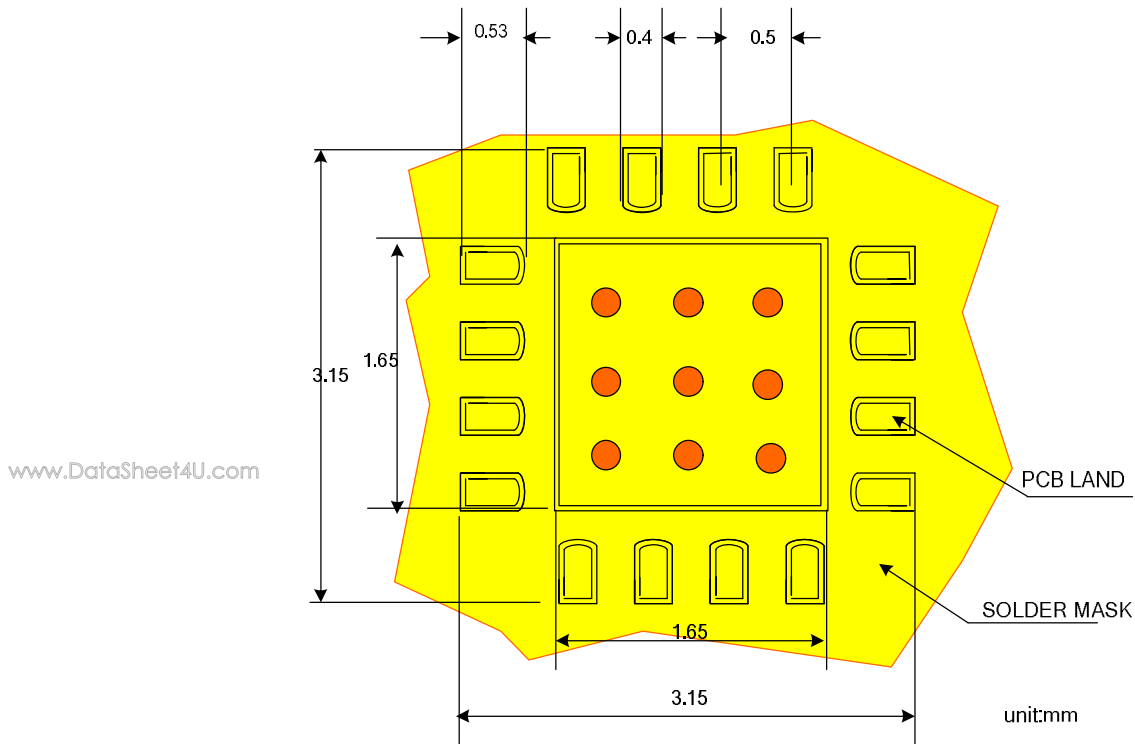


Fig. PCB Land Pattern for 16-Pin MLPQ

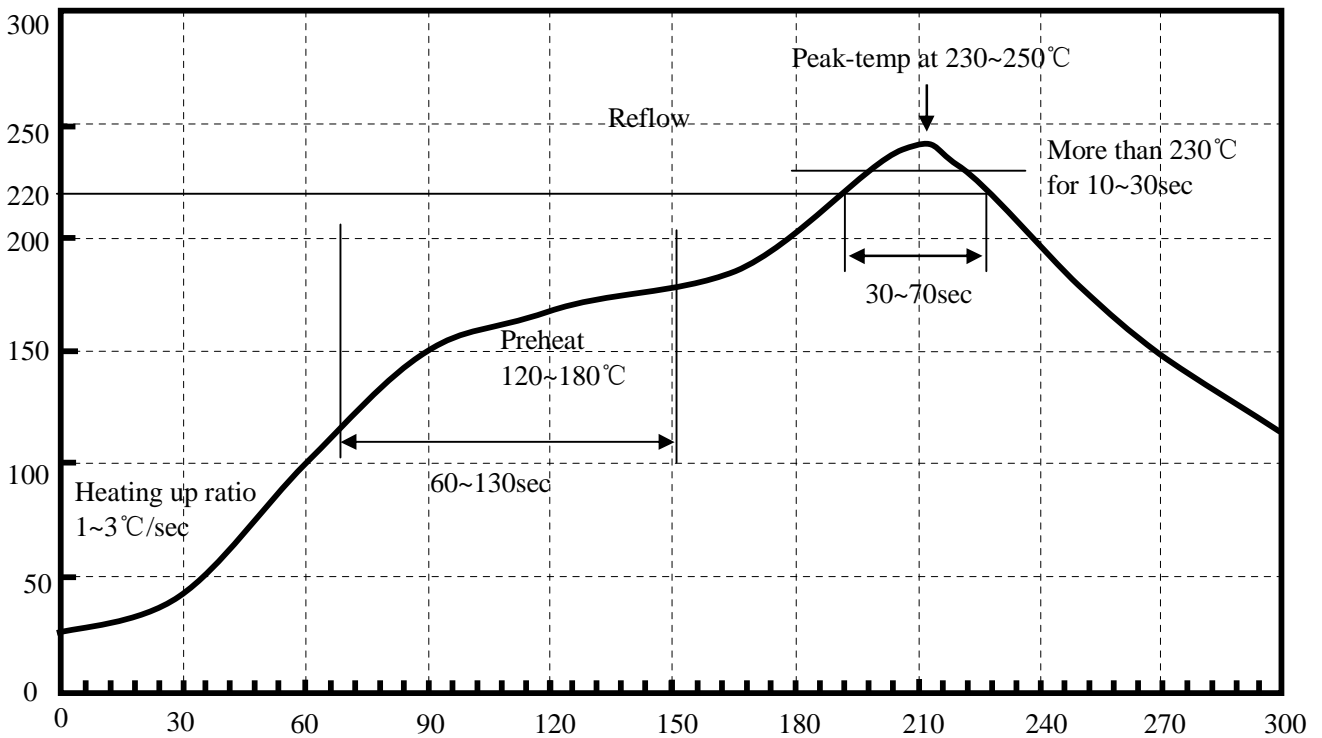


Fig. Recommended Temperature Sn95.5Ag4.0Cu0.5

## RoHS Compliant

The product does not contain lead, mercury, cadmium, hexavalent chromium, polybrominated biphenyls (PBB) or polybrominated diphenyl ethers (PBDE), and are therefore considered RoHS compliant.

[www.DataSheet4U.com](http://www.DataSheet4U.com)

## Disclaimer

The information provided here is believed to be reliable; RDA Microelectronics assumes no reliability for inaccuracies and omissions. RDA Microelectronics assumes no reliability for the use of this information and all such information should entirely be at the user's own risk. Specifications described and contained here are subjected to change without notice on the purpose of improving the design and performance. All of this information described herein should not be implied or granted for any third party. RDA Microelectronics does not authorize or warrant any RDA products for use in the life support devices or systems.

Copyright©2005 RDA Microelectronics Inc. All rights reserved

Revision 0.4, Apr. 2007



For technical questions and additional information about RDA Microelectronics Inc.:

Website: [www.rdamicro.com](http://www.rdamicro.com)

Mailbox: [info@rdamicro.com](mailto:info@rdamicro.com)

RDA Microelectronics (Shanghai), Inc.

Tel: +86-21-50271108

Fax: +86-21-50271099

RDA Microelectronics (Beijing), Inc.

Tel: +86-10-63635360

Fax: +86-10-82612663