



TECHNICAL DATA SHEET

PE9708

SMA Female to FME Jack Adapter
Configuration

| | |
|---------------------------|--------------|
| Connector 1 | SMA Female |
| Impedance 1 | 50 Ohms |
| Connector Specification 1 | MIL-STD-348A |
| Connector 2 | FME Jack |
| Impedance 2 | 50 Ohms |
| Adapter Design | Standard |
| Body Style | Straight |

Mechanical Specifications
Size

| | |
|---------------------|---------------|
| Length, in [mm] | 0.862 [21.89] |
| Width/Dia., in [mm] | 0.375 [9.53] |

Connector 1

| | |
|---------------------------------------|------------------|
| Type | SMA Female |
| Inner Conductor Material and Plating | Brass, Gold |
| Inner Conductor Plating Specification | 30µ in. minimum |
| Body Material and Plating | Brass, Nickel |
| Body Plating Specification | 100µ in. minimum |
| Dielectric Type | Teflon |

Connector 2

| | |
|---------------------------------------|------------------|
| Type | FME Jack |
| Inner Conductor Material and Plating | Brass, Gold |
| Inner Conductor Plating Specification | 30µ in. minimum |
| Body Material and Plating | Brass, Nickel |
| Body Plating Specification | 100µ in. minimum |
| Dielectric Type | Teflon |

Compliance Certifications (visit www.Pasternack.com for current document)

| | |
|----------------|-----|
| RoHS Compliant | Yes |
|----------------|-----|

Plotted and Other Data

| | |
|--------|----------------------------|
| Notes: | Values at 25 °C, sea level |
|--------|----------------------------|

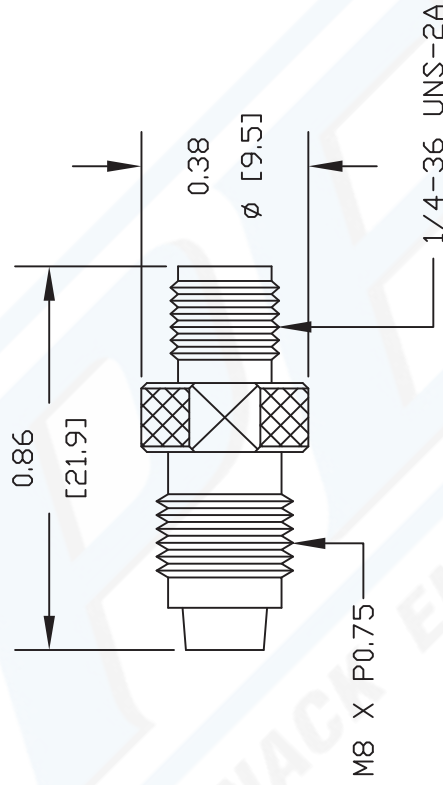
 URL: <http://www.pasternack.com/sma-female-fme-jack-straight-adapter-pe9708-p.aspx>

SMA Female to FME Jack Adapter from Pasternack Enterprises has same day shipment for domestic and International orders. Our RF, microwave and fiber optic products maintain a 99% availability and are part of the broadest selection in the industry.

The information contained in this document is accurate to the best of our knowledge and representative of the part described herein. It may be necessary to make modifications to the part and/or the documentation of the part, in order to implement improvements. Pasternack reserves the right to make such changes as required. Unless otherwise stated, all specifications are nominal.

PE9708 CAD Drawing

SMA Female to FME Jack Adapter



NOTES:
 1. UNLESS OTHERWISE SPECIFIED ALL DIMENSIONS ARE NOMINAL.
 2. ALL SPECIFICATIONS ARE SUBJECT TO CHANGE WITHOUT NOTICE AT ANY TIME.
 3. DIMENSIONS ARE IN INCHES [mm].

DWG TITLE
PE9708

PASTERNAK ENTERPRISES, INC.
 P O BOX 16759, IRVINE, CA 92623
 PHONE (949) 261-1920 FAX (949) 261-7451
 WEB ADDRESS: www.pasternack.com
 E-MAIL ADDRESS: sales@pasternack.com
COAXIAL & FIBER OPTICS



| | | | | | |
|--------|----------------|-----------------|-----------|--------|-----|
| REV. - | FSCM NO. 53919 | CAD FILE 080102 | SCALE N/A | SIZE A | 127 |
|--------|----------------|-----------------|-----------|--------|-----|