



75 Ohm SMB Plug Connector Clamp/ Solder Attachment For RG59, RG62

TECHNICAL DATA SHEET

PE4203

75 Ohm SMB Plug Connector Clamp/Solder Attachment For RG59, RG62

Configuration

Connector	SMB Plug
Connector Interface Type	RG59, RG62
Cable Attachment Method (Shield/Contact)	Clamp/Solder
Body Style	Straight

Electrical Specifications

Impedance, Ohms	75
-----------------	----

Mechanical Specifications

Size

Length, in [mm]	0.845 [21.46]
Width/Dia., in [mm]	0.406 [10.31]
Weight, lbs [g]	0.02 [9.07]

Connector

Type	SMB Plug
Contact Material and Plating	Gold
Body Material and Plating	Brass, Gold
Dielectric Type	PTFE

Compliance Certifications (visit www.Pasternack.com for current document)

RoHS Compliant	Yes
----------------	-----

Plotted and Other Data

Notes:	Values at 25 °C, sea level
--------	----------------------------

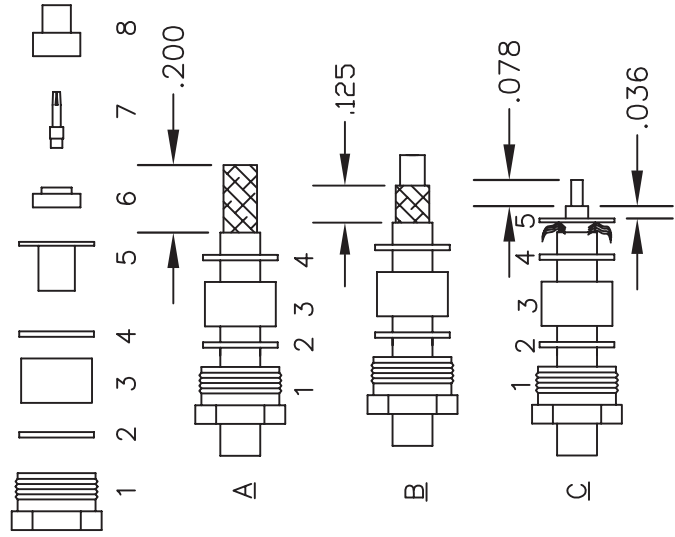
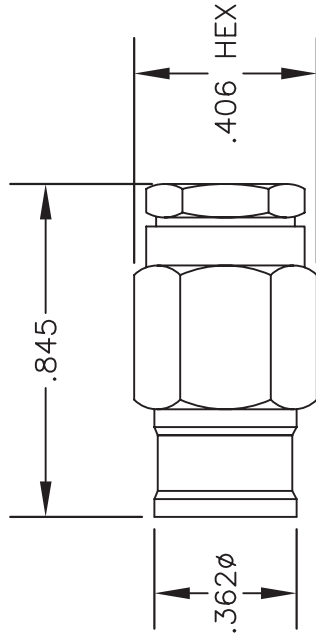
75 Ohm SMB Plug Connector Clamp/Solder Attachment For RG59, RG62 from Pasternack Enterprises has same day shipment for domestic and International orders. Our RF, microwave and fiber optic products maintain a 99% availability and are part of the broadest selection in the industry.

Click the following link (or enter part number in "SEARCH" on website) to obtain additional part information including price, inventory and certifications: [75 Ohm SMB Plug Connector Clamp/Solder Attachment For RG59, RG62 PE4203](http://www.pasternack.com/smb-plug-standard-rg59-rg62-connector-pe4203-p.aspx)

URL: <http://www.pasternack.com/smb-plug-standard-rg59-rg62-connector-pe4203-p.aspx>

The information contained in this document is accurate to the best of our knowledge and representative of the part described herein. It may be necessary to make modifications to the part and/or the documentation of the part, in order to implement improvements. Pasternack reserves the right to make such changes as required. Unless otherwise stated, all specifications are nominal.

MATERIALS	
BODY	BRASS GOLD PLATED
CONTACT	GOLD PLATED
INSULATOR	PTFE



ASSEMBLY PROCEDURES

1. SLIDE CLAMP NUT (1), WASHER (2), GASKET (3) & WASHER (4) OVER CABLE. STRIP CABLE AS SHOWN IN A & B. FLAIR BRAID.
2. SLIDE EXTENSION (5) BETWEEN BRAID & DIELECTRIC TILL IT IS RESTING AGAINST JACKET. TRIM BRAID BACK TO SHOULDERS OF EXTENSION (5). STRIP CABLE AS SHOWN IN C. SLIDE INSULATOR (6) OVER CENTER CONDUCTOR. SOLDER CONTACT (7) TO CENTER CONDUCTOR. SLIDE INSULATOR (8) OVER CONTACT (7).
3. THEN SLIDE ASSEMBLY FORWARD INTO BODY & TIGHTEN.

STRIPPING DIMENSIONS



PASTERNAK ENTERPRISES, INC.
 P O BOX 16759, IRVINE, CA 92623
 PHONE (949) 261-1920 FAX (949) 261-7451
 WEB ADDRESS: www.pasternack.com
 E-MAIL ADDRESS: sales@pasternack.com
COAXIAL & FIBER OPTICS

DWG TITLE

PE4203

DES. "75 OHM SMB PLUG, CLAMP ATTACHMENT FOR RG59 & RG62

REV. -	FSCM NO. 53919	CAD FILE 042309	SCALE N/A	SIZE A 147
--------	----------------	-----------------	-----------	------------

NOTES:

1. UNLESS OTHERWISE SPECIFIED ALL DIMENSIONS ARE NOMINAL.
2. ALL SPECIFICATIONS ARE SUBJECT TO CHANGE WITHOUT NOTICE AT ANY TIME.
3. DIMENSIONS ARE IN INCHES.