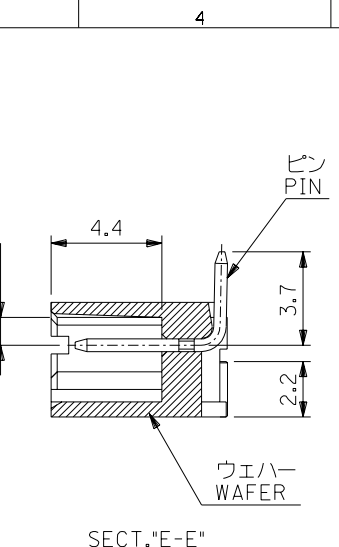
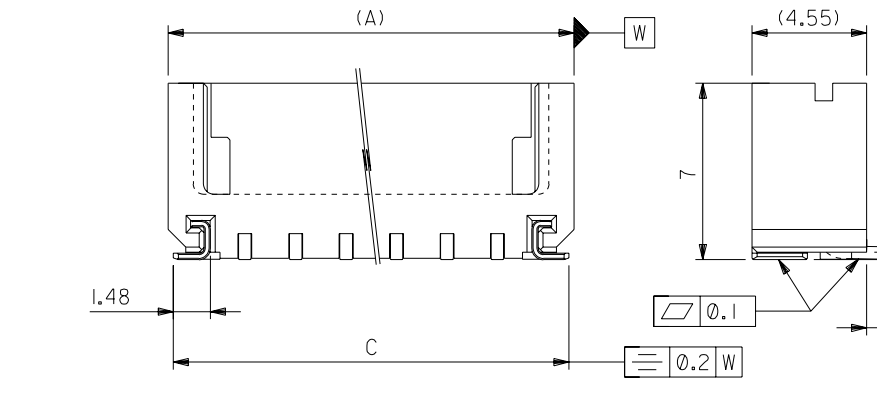
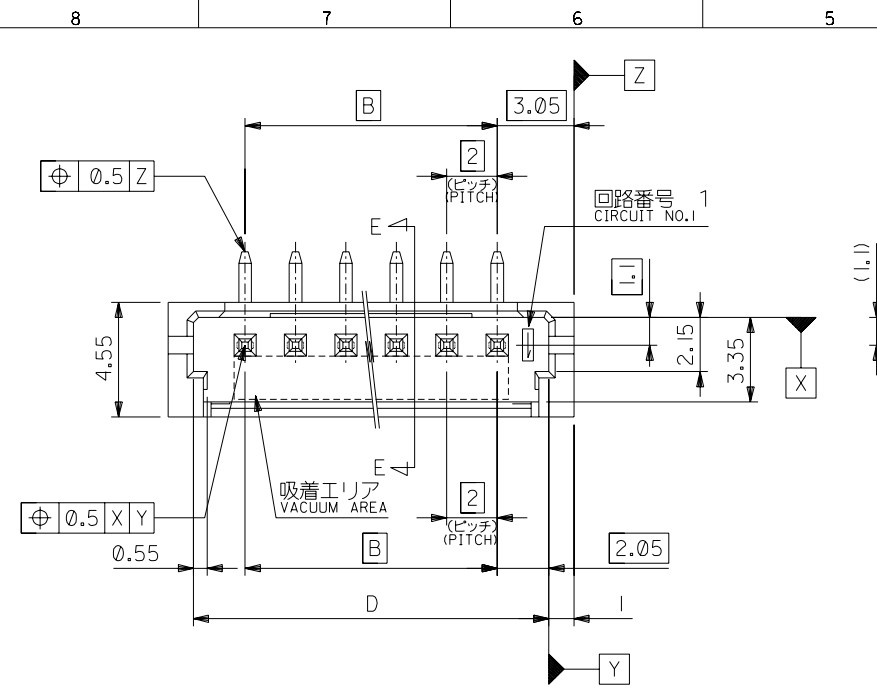


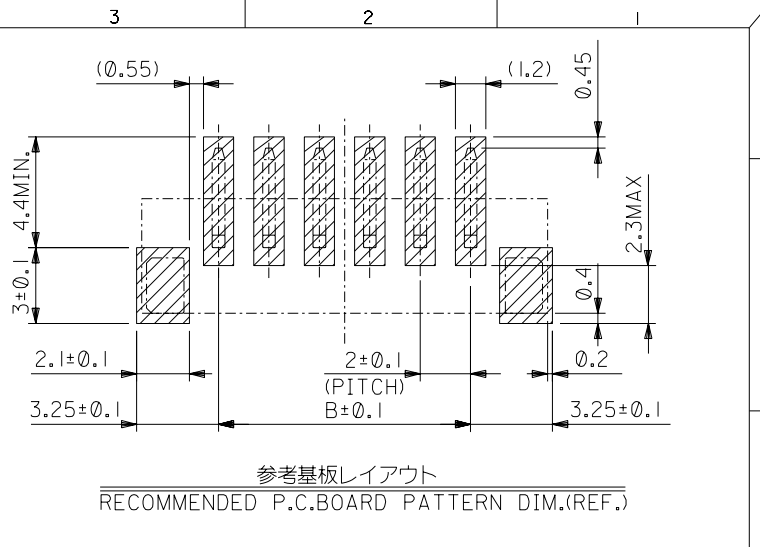
DO NOT SCALE DRAWING

DWG. NO.  
SD-55460-010



注記  
NOTES

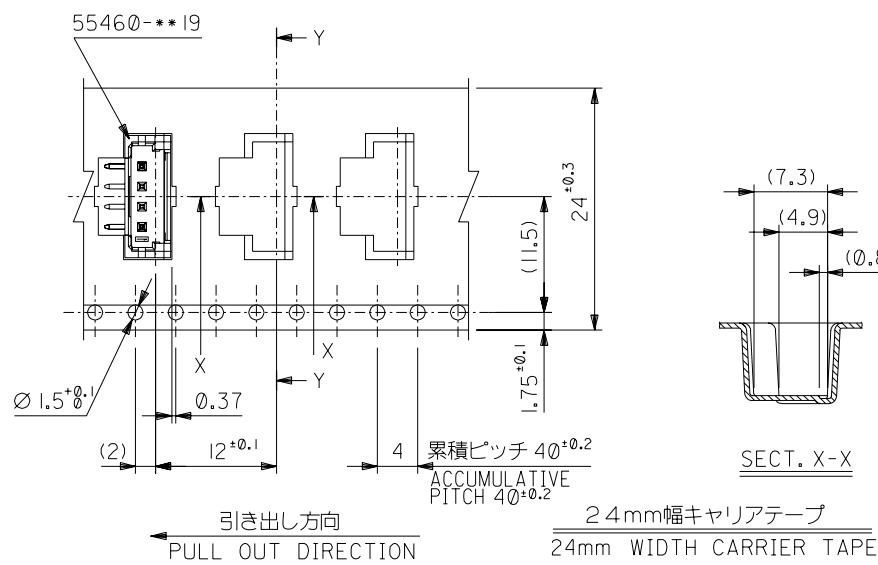
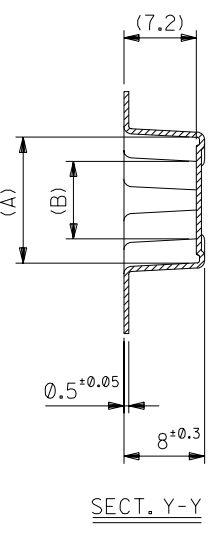
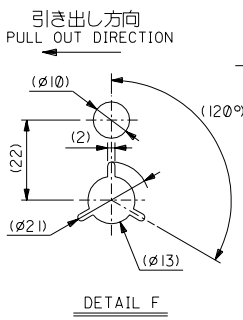
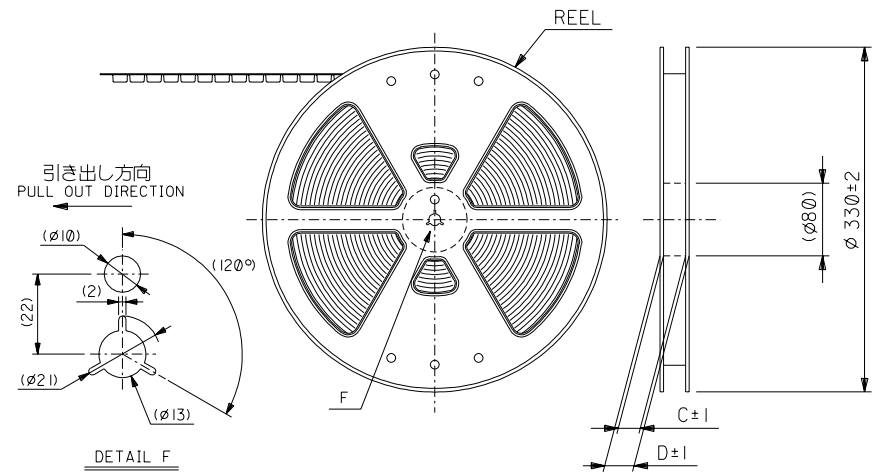
1. 材質  
MATERIAL  
ウェハー: PPA, (UL 94V-0)  
WAFER: PPA, (UL 94V-0)  
ピン: 黄銅 (口0.5), 銅下地錫メッキ  
PIN: BRASS (口0.5), TIN OVER COPPER PATING  
金具: リン青銅 (+0.25), ニッケル下地錫メッキ  
NAIL: PHOSPHOR BRONZE, TIN OVER NICKEL PATING
2. 嵌合相手: 51090, 52484 シリーズ  
MATE WITH 51090, 52484 SERIES.
3. 本製品は 55460-\*\*10 の鉛フリー品である。  
THIS PRODUCT IS LEAD FREE OF 55460-\*\*10.



32.1	33.7	28	34.1	55460-1519	15
28.1	29.7	24	30.1	-1319	13
26.1	27.7	22	28.1	-1219	12
22.1	23.7	18	24.1	-1019	10
18.1	19.7	14	20.1	-0819	8
16.1	17.7	12	18.1	-0719	7
14.1	15.7	10	16.1	-0619	6
12.1	13.7	8	14.1	-0519	5
10.1	11.7	6	12.1	-0419	4
8.1	9.7	4	10.1	-0319	3
6.1	7.7	2	8.1	55460-0219	2
D	C	B	A	MATERIAL NO.	種数 CKTS.

264 NO. DRWN: CH'K: APPR: 263 NO. DRWN: CH'K: APPR: 262 NO. DRWN: CH'K: APPR: 新製作成 04/05/13 RELEASSED 261 NO. J2004-4205 DRWN: T.UENO CH'K: M.SASAO APPR: M.SASAO 新製作成 04/03/29 RELEASSED 260 NO. J2004-3410 DRWN: T.UENO CH'K: M.SASAO APPR: M.SASAO	MATERIAL 材料 注記参照 SEE NOTES FINISH 仕上げ 注記参照 SEE NOTES WIRE RANGE 適用層被範囲 // INS. RANGE 被覆外径 //	GENERAL TOLERANCES: (UNLESS SPECIFIED) 一般公差 10 UNDER 未満 ±0.2 10 OVER 30 UNDER 未満 ±0.25 30 OVER 以上 ±0.3 ANGLE 角度 ±3°	SCALE DESIGN UNITS <input checked="" type="checkbox"/> mm <input type="checkbox"/> INCH DRAWN BY & DATE T.UENO '04/03/29 CHECKED BY & DATE M.SASAO '04/03/29 APPROVED BY & DATE M.SASAO '04/03/29 CAD FILENAME SD-55460-010.S01	MODEL NO. DIMENSIONS: <input checked="" type="checkbox"/> mm <input type="checkbox"/> INCH <input type="checkbox"/> mm ONLY SHT REV 2 1 CAD ONLY	TITLE: 2.0 W-T-B CONN WAFER ASSY FOR SMT ST -LEAD FREE- MOLEX MOLEX INCORPORATED MATERIAL NO. SEE CHART DRAWING NO. SD-55460-010 SHEET NO. 1

8 7 6 5 4 3 2 1



NOTES

- 梱包数量：900個／リール  
NUMBER OF CONNECTOR:900PCS/REEL
  - リードテープ長さ  
LEAD TAPE LENGTH
- 
- トップテープの剥離強度：0.1N～1.3N(10gf～130gf) (剥離方向は下図参照)  
PEELING OFF FORCE OF TOP TAPE: 0.1N～1.3N(10gf～130gf) (PEELING DIRECTION IS SHOWN IN FOLLOWING FIG.)  
<剥離速度：300mm/min(参考)>  
PEELING SPEED:300mm/min. (REFERENCE)
- 
- 55460-\*\*-19の詳細寸法については図面SD-55460-010を参照下さい。  
RE DETAILED DIMENSIONS, SEE SD-55460-010
  - 材料 (MATERIAL)  
キャリアテープ (CARRIER TAPE): ポリプロピレン (POLYPROPYLENE)  
トップテープ (TOP TAPE): PET , PE , PEF  
リール (REEL): ポリスチレン (PS) <リサイクル材を含む>  
POLYSTYRENE(PS)<RECYCLE MATERIAL CONTAINED>
  - 本製品は 55460-\*\*-90 の鉛フリー品である。  
THIS PRODUCT IS LEAD FREE OF 55460-\*\*-90.

24	29.4	25.4	11.7	16.45	55460-0672	6		
			9.7	14.45	55460-0572	5		
			7.7	12.45	55460-0472	4		
			5.7	10.45	55460-0372	3		
			3.7	8.45	55460-0272	2		
キャリアテープ幅			D	C	B	A	MATERIAL NO.	極数 CKTS.

24mm幅キャリアテープ  
24mm WIDTH CARRIER TAPE

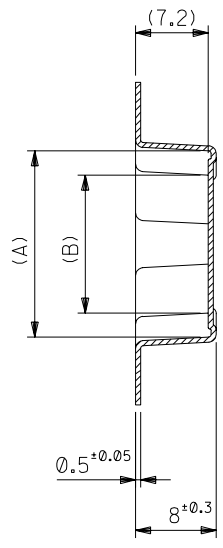
EC NO. DRWN: CHK: APPR:	EC NO. DRWN: CHK: APPR:	EC NO. DRWN: CHK: APPR:	EC NO. DRWN: CHK: APPR:	EC NO. DRWN: CHK: APPR:

新規格作成 RELEASED  
EC NO. J2004-3410  
DRWN: T.UENO 04/03/29  
CHK: M.SASAO 04/03/29  
APPR: M.SASAO 04/03/29

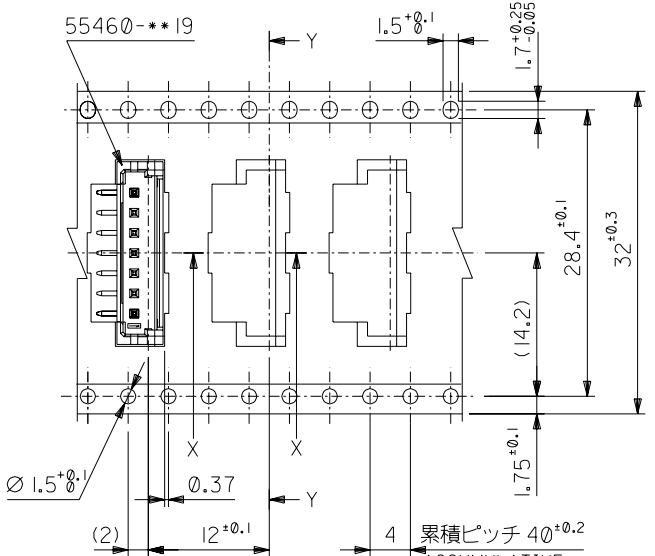
MATERIAL 材料	注記参照 SEE NOTES
FINISH 仕上げ	//
WIRE RANGE 適用電線範囲	//
INS. RANGE 被覆外径	//

GENERAL TOLERANCES: (UNLESS SPECIFIED) 一般公差	
10 UNDER 未満	±0.2
10 OVER 30 UNDER 以上 未満	±0.25
30 OVER 以上	±0.3
ANGLE 角度	±3°

SCALE —	DESIGN UNITS <input checked="" type="checkbox"/> mm <input type="checkbox"/> INCH	THIRD ANGLE PROJECTION	DIMENSIONS: <input type="checkbox"/> mm <input type="checkbox"/> INCH <input checked="" type="checkbox"/> mm ONLY		SHT REV
DRAWN BY & DATE T.UENO 04/03/29		TITLE: 2.0 W+B Conn WAFER Assy Embstp pkg -LEAD FREE-			
CHECKED BY & DATE M.SASAO 04/03/29		APPROVED BY & DATE M.SASAO 04/03/29			
CAD FILENAME SD-55460-011.S01		MATERIAL NO. SEE CHART	DRAWING NO. SD-55460-011	SHEET NO. 1 OF 3	
THIS DRAWING CONTAINS INFORMATION THAT IS PROPRIETARY TO MOLEX INCORPORATED AND SHOULD NOT BE USED WITHOUT WRITTEN PERMISSION.					SIZE B

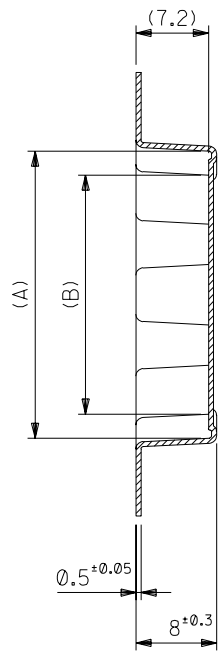


SECT. Y-Y

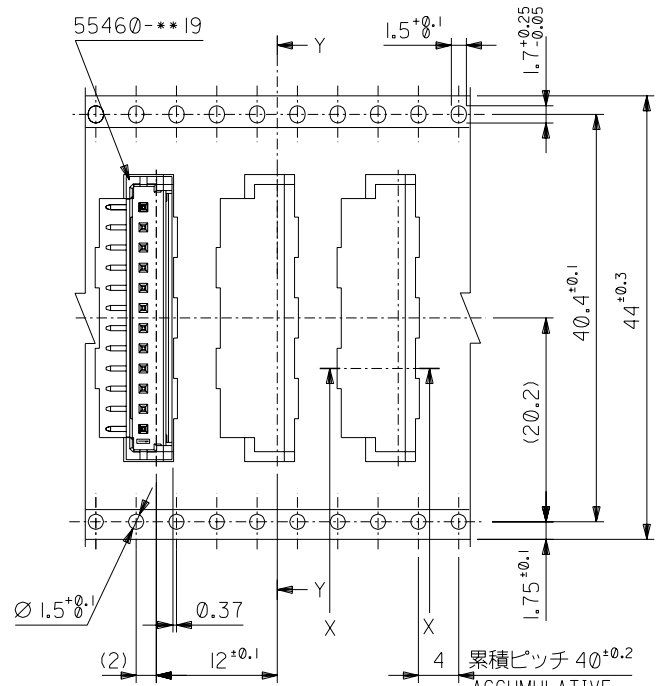


引き出し方向  
PULL OUT DIRECTION

32mm幅キャリアテープ  
32mm WIDTH CARRIER TAPE

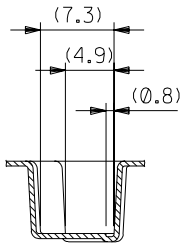


SECT. Y-Y



引き出し方向  
PULL OUT DIRECTION

44mm幅キャリアテープ  
44mm WIDTH CARRIER TAPE



SECT. X-X

44	49.4	45.4	25.7	30.45	55460-1372	13		
			23.7	28.45	55460-1272	12		
32	37.4	33.4	19.7	24.45	55460-1072	10		
			15.7	20.45	55460-0872	8		
			13.7	18.45	55460-0772	7		
キャリアテープ幅			D	C	B	A	MATERIAL NO.	極数 CKTS.

DO NOT SCALE DRAWING

EC NO. DRWN: CHK: APPR:	EC NO. DRWN: CHK: APPR:	EC NO. DRWN: CHK: APPR:	EC NO. DRWN: CHK: APPR:	EC NO. DRWN: CHK: APPR:	EC NO. DRWN: CHK: APPR:
					SEE SHEET 1 OF 3

DESCRIPTION	MATERIAL 材料	GENERAL TOLERANCES: (UNLESS SPECIFIED) 一般公差
	SHEET 1 OF 3参照 SEE SHEET 1 OF 3	10 UNDER 未滿 ±0.2
FINISH 仕上げ	//	10 OVER 30 UNDER 以上 未滿 ±0.25
WIRE RANGE 適用電線範囲	//	30 OVER 以上 ±0.3
INS. RANGE 被覆外径	//	ANGLE 角度 ±3°

SCALE	DESIGN UNITS <input checked="" type="checkbox"/> mm <input type="checkbox"/> INCH	THIRD ANGLE PROJECTION	DIMENSIONS: <input type="checkbox"/> mm <input type="checkbox"/> INCH <input checked="" type="checkbox"/> mm ONLY	SHT	REV
DRAWN BY & DATE T.UENO '04/03/29	TITLE: 2.0 W+B Conn WAFER Assy Embstp pkg -LEAD FREE-				
CHECKED BY & DATE M.SASAO '04/03/29	MOLEX INCORPORATED				
APPROVED BY & DATE M.SASAO '04/03/29	CAD FILENAME SD-55460-011.S02	MATERIAL NO. SEE CHART	DRAWING NO. SD-55460-011	SHEET NO. 2 OF 3	
THIS DRAWING CONTAINS INFORMATION THAT IS PROPRIETARY TO MOLEX INCORPORATED AND SHOULD NOT BE USED WITHOUT WRITTEN PERMISSION.					SIZE B

DWG. NO.  
SD-55460-011

F

D

V

C

B

DO NOT SCALE DRAWING

8 7 6 5 4 3 2 1

F

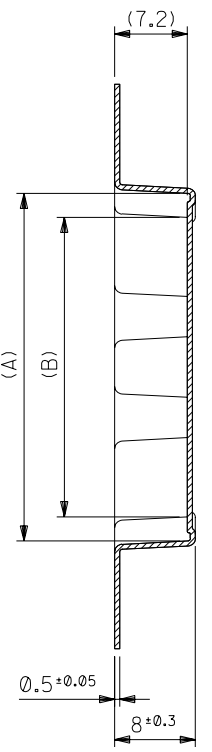
E

D

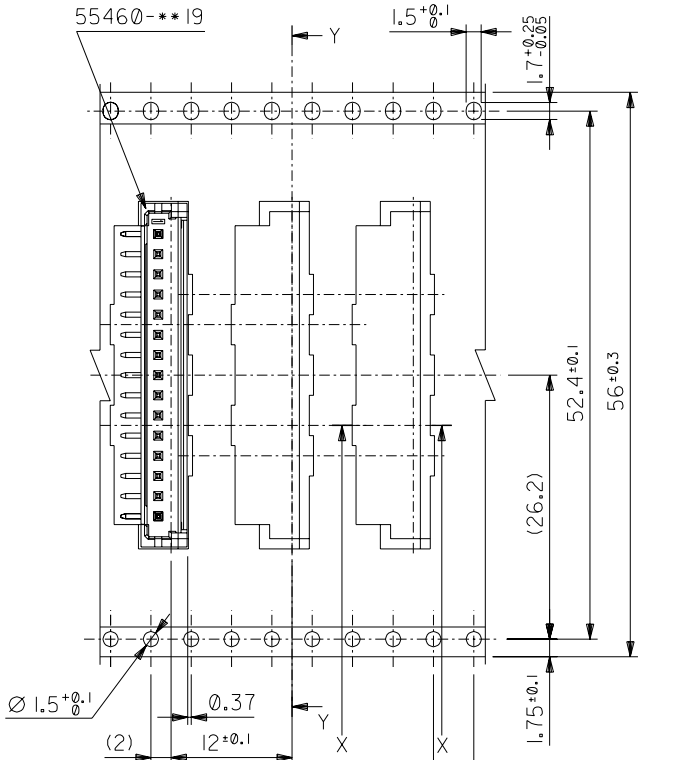
C

B

A

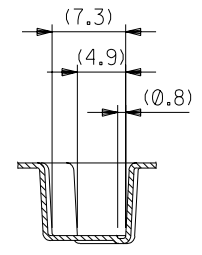


SECT. Y-Y



引き出し方向  
PULL OUT DIRECTION

56mm幅キャリアテープ  
56mm WIDTH CARRIER TAPE



SECT. X-X

累積ピッチ 40±0.2  
ACCUMULATIVE PITCH 40±0.2

56	61.4	57.4	29.7	34.45	55460-1572	15
キャリアテープ幅	D	C	B	A	MATERIAL NO.	極数 CKTS.

55460-***72	MODEL NO.	DIMENSIONS:	SHT	REV
<input type="checkbox"/> mm <input type="checkbox"/> INCH	<input checked="" type="checkbox"/> mm ONLY	<input type="checkbox"/> THIRD ANGLE PROJECTION	REVISE ON CAD ONLY	

EC NO. DRAWN: CHK'G: APPR:	EC NO. DRAWN: CHK'G: APPR:	EC NO. DRAWN: CHK'G: APPR:	EC NO. DRAWN: CHK'G: APPR:	EC NO. DRAWN: CHK'G: APPR:	EC NO. DRAWN: CHK'G: APPR:
					SEE SHEET 1 OF 3

DESCRIPTION	MATERIAL 材料	GENERAL TOLERANCES: (UNLESS SPECIFIED) 一般公差
FINISH 仕上げ	SHEET 1 OF 3 参照 SEE SHEET 1 OF 3	10 UNDER 未満 ±0.2
WIRE RANGE 適用電線範囲	//	10 OVER 以上 30 UNDER 未満 ±0.25
INS. RANGE 被覆外径	//	30 OVER 以上 ±0.3
REV		ANGLE 角度 ±3°

DRAWN BY & DATE T.UENO '04/03/29	TITLE: 2.0 WtB Conn WAFER Assy Embstp pkg -LEAD FREE-
CHECKED BY & DATE M.SASAO '04/03/29	MOLEX INCORPORATED
APPROVED BY & DATE M.SASAO '04/03/29	
CAD FILENAME SD-55460-011.S03	MATERIAL NO. SEE CHART
	DRAWING NO. SD-55460-011
	SHEET NO. 3 OF 3
THIS DRAWING CONTAINS INFORMATION THAT IS PROPRIETARY TO MOLEX INCORPORATED AND SHOULD NOT BE USED WITHOUT WRITTEN PERMISSION.	
	SIZE B