

6

5

4

3




2

1

MATERIAL AND FINISH:

Insulator: Polycarbonate, UL-94V-0 rated
Contacts: Brass, Nickel plated

ELECTRICAL SPECIFICATIONS:

Current rating: 10 A 
Voltage rating: 250 VAC
Current rating: 15 A 
Voltage rating: 250 VAC 

ORDERING CODE:

42R03-2 2
 1 2


1) COLOR

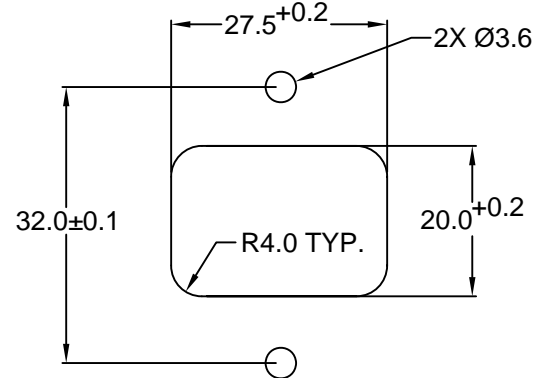
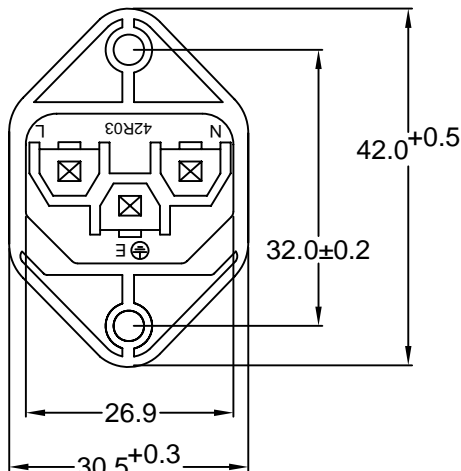
1 = BLACK
2 = GRAY

2) ELECTRICAL CIRCUIT CONFIGURATION

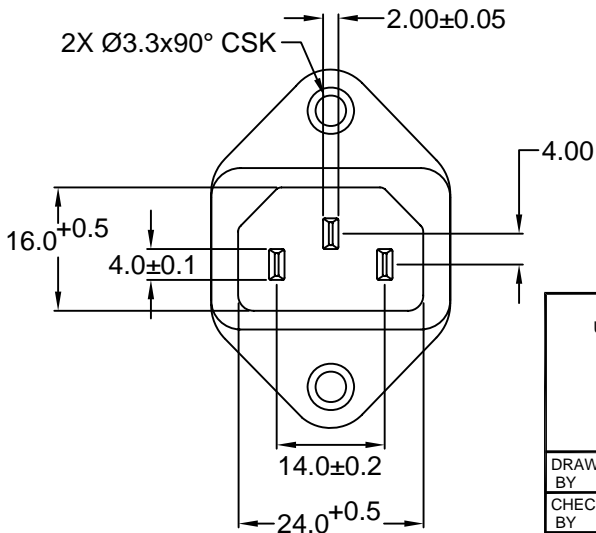
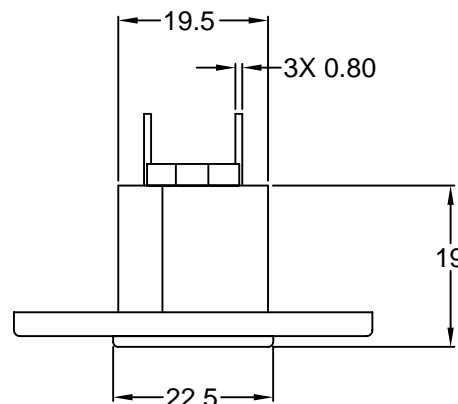
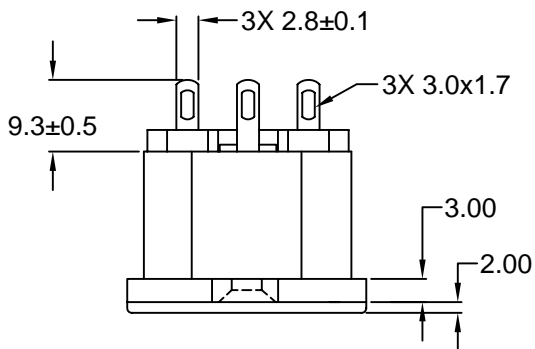
1 = 15A 250V 120°C 
2+GROUND

2 = 15A 250V 70°C 
2+GROUND

4 = 15A 250V 70°C 
2 POLE



RECOMMENDED
PANEL CUTOUT



**RoHS
COMPLIANT**

TOLERANCE UNLESS OTHERWISE SPECIFIED	
X	± 1
X.X	± 0.4
X.XX	± 0.20

Power Dynamics, Inc.
Phone: 973 560-0019 Whippany, New Jersey Fax: 973 560-0076

PART: IEC 60320 C14 APPL. INLET; SOLDER
TERMINALS; CROSS FLANGE

DRAWN BY	GQ	DATE:	08/16/01
CHECK BY	TD	DATE:	08/20/01
APPR BY	PB	DATE:	08/21/01

PART #:		42R03-2X2X	SHEET
SIZE:		A	1 of 1
SCALE:		NTS	REV: A
ALL DIMENSIONS FOR REFERENCE ONLY DIMENSIONS ARE IN MILLIMETERS			

REVISIONS	CHANGE	CHNG	CHK	APPR
	DATE	TERM. DIM.	PB	
REV	DATE	1/8/10		
A				

6

5

4

3

2

1