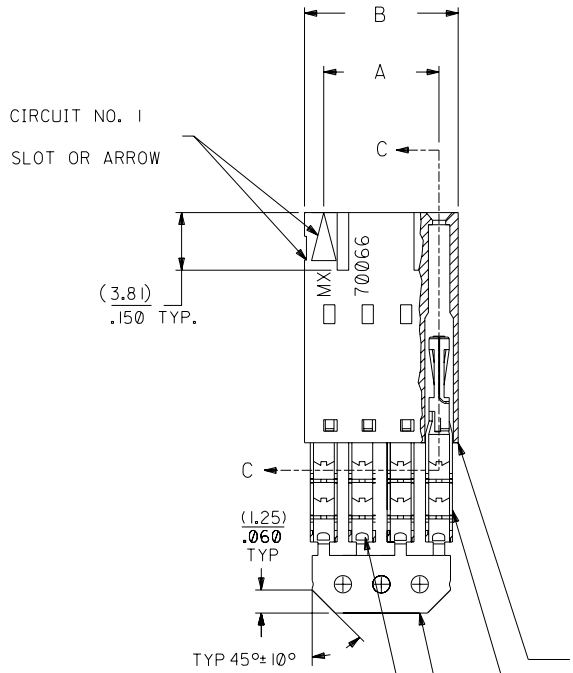
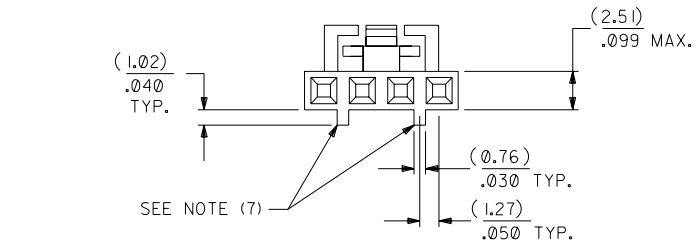


# OPTION G

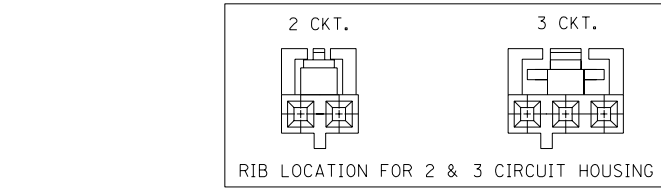
## NOTES:

- 1) TO BE USED WITH (22) AWG. STRANDED WIRE WITH (1.35)/.053 DIA. MAX. INSULATION.
- 2) SEE CHART FOR CIRCUIT SIZES.
- 3) STANDARD PACKAGING PER PK-70873-0001. OPTIONAL PACKAGING MAY BE AVAILABLE, REQUEST DWG. PK-70400
- 4) PARTS STACKABLE END TO END ON (2.54)/.100 CENTERS.
- 5) REFER TO PRODUCT SPECIFICATION: PS-70400.
- 6) SEE DWG. SDA-70400-\*\*\*\* (SHT. 5) FOR OPTIONAL HOUSING DETAILS.
- 7) 4 CIRCUIT SHOWN. 4 - 25 CKT'S. HAVE (2) RIBS.
- 8) TO MATE WITH MOLEX PART NO'S.: A-70375-\*\*\*\*, A-70389-\*\*\*\*, A-70391-\*\*\*\*, A-70107-\*\*\*\*, 70018-\*\*\*\*, A-70543-\*\*\*\*, A-70553-\*\*\*\*, A-70541-\*\*\*\*, A-70551-\*\*\*\*, A-70545-\*\*\*\*, A-70555-\*\*\*\*.
- 9) 2 CIRCUIT ASSEMBLIES SUPPLIED AS GROUPED PAIRS.

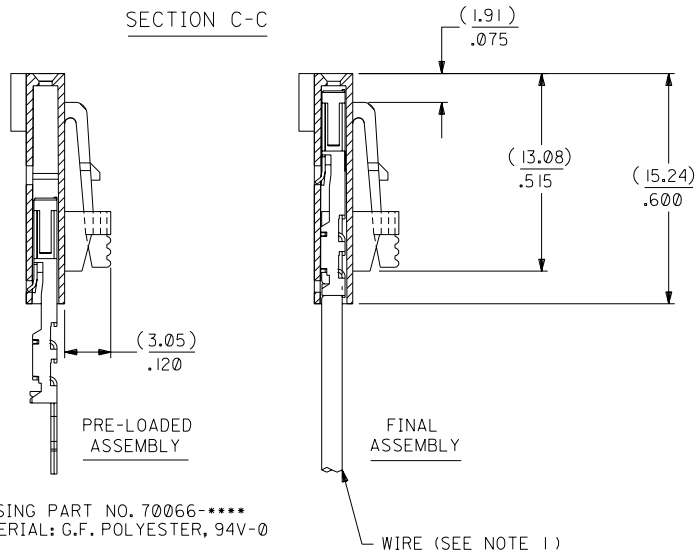


I.D. SLOT CODE TO WIRE GAUGE CHART	
I.D. SLOT CODE	WIRE GAUGE
D	22 AWG.

PLATING CODE (STRIPE ON CARRIER STRIP)	
PLATING	COLOR
TIN	NONE



## SECTION C-C



HOUSING PART NO. 70066-\*\*\*\*  
MATERIAL: G.F. POLYESTER, 94V-0

TERMINAL PART NO. 70028-\*\*\*\*  
MATERIAL: PHOSPHOR BRONZE  
PLATING PER ES-88-\*\*\*

TIN - .000150 MIN. TIN OVER  
.000050 MIN. NICKEL PLATE.

\*THE PRIMARY SHIPPING CARTON WILL BE LABELED "COMPLIANT TO ROHS DIRECTIVE 2002/95/EC AND ELV ANNEX II OF DIRECTIVE 2000/53/EC". CARTONS WITHOUT THIS LABEL MAY CONTAIN PRODUCT WITH LEAD.

CKT. SIZE	A	B	EDP. NO.	ENG. NO.
2	( 2.54 ) .100	( 5.05 ) .199	14-56-7022	A-70400-3140
3	( 5.08 ) .200	( 7.59 ) .299	14-56-7032	A-70400-3141
4	( 7.62 ) .300	( 10.13 ) .399	14-56-7042	A-70400-3142
5	( 10.16 ) .400	( 12.67 ) .499	14-56-7052	A-70400-3143
6	( 12.70 ) .500	( 15.21 ) .599	14-56-7062	A-70400-3144
7	( 15.24 ) .600	( 17.75 ) .699	14-56-7072	A-70400-3145
8	( 17.78 ) .700	( 20.29 ) .799	14-56-7082	A-70400-3146
9	( 20.32 ) .800	( 22.83 ) .899	14-56-7092	A-70400-3147
10	( 22.86 ) .900	( 25.37 ) .999	14-56-7102	A-70400-3148
11	( 25.54 ) 1.000	( 27.91 ) 1.099	14-56-7112	A-70400-3149
12	( 27.94 ) 1.100	( 30.45 ) 1.199	14-56-7122	A-70400-3150
13	( 30.48 ) 1.200	( 32.99 ) 1.299	14-56-7132	A-70400-3151
14	( 33.02 ) 1.300	( 35.53 ) 1.399	14-56-7142	A-70400-3152
15	( 35.56 ) 1.400	( 38.07 ) 1.499	14-56-7152	A-70400-3153
16	( 38.01 ) 1.500	( 40.61 ) 1.599	14-56-7162	A-70400-3154
17	( 40.64 ) 1.600	( 43.15 ) 1.699	14-56-7172	A-70400-3155
18	( 43.18 ) 1.700	( 45.69 ) 1.799	14-56-7182	A-70400-3156
19	( 45.72 ) 1.800	( 48.23 ) 1.899	14-56-7192	A-70400-3157
20	( 48.26 ) 1.900	( 50.77 ) 1.999	14-56-7202	A-70400-3158
21	( 50.80 ) 2.000	( 53.31 ) 2.099	14-56-7212	A-70400-3159
22	( 53.34 ) 2.100	( 55.85 ) 2.199	14-56-7222	A-70400-3160
23	( 55.88 ) 2.200	( 58.39 ) 2.299	14-56-7232	A-70400-3161
24	( 58.42 ) 2.300	( 60.93 ) 2.399	14-56-7242	A-70400-3162
25	( 60.96 ) 2.400	( 63.47 ) 2.499	14-56-7252	A-70400-3163

LEAD FREE	ADD CARRIER CHAMF	DIMENSIONS SHOWN (METRIC) INCH
UCP2004-1769 RWHITE 04/03/22	ECN #UDT1998-0280 05/20/98 LMCGRATH	UNLESS OTHERWISE SPECIFIED TOLERANCES: ANGULAR ± 1/2°
	164 PLATING WAS 102 PER ECR # U30941 07/14/93 REED	3 PLACE ± .010 METRIC 2 PLACE ± .014 ± 0.25 1 PLACE --- ± 0.35
	REVISED PER ECR # U00049 9-29-90 MGB	DRAFT WHERE APPLICABLE MUST REMAIN WITHIN DIMENSIONS
LTR. REVISIONS	LTR. REVISIONS	DRWG. BY: AAB CHK'D. BY: WAZ SCALE: 4:1

MFG. SH. REV.		REVISE ONLY ON CAD SYSTEM	
TITLE: ASSEMBLY, SL CONNECTOR (SINGLE ROW- (2.54)/.100 GRID)			
MOLEX INCORPORATED LITSE, ILL. 60532 U.S.A.		SHEET NO. 60532	DATE 10/26/87
PART NO. SDA-70400-3140-3163		DRWG. NO. SDA-70400-3140-3163	
SEE CHART			
THIS DRAWING CONTAINS INFORMATION THAT IS PROPRIETARY TO MOLEX INC. AND SHOULD NOT BE USED WITHOUT WRITTEN PERMISSION.			