

Medium Power Differential Line Driver



The EL1510 is a dual operational amplifier designed for central office and customer premise line driving in

both SDSL and ADSL solutions. This device features a high drive capability of 250mA while consuming only 7.5mA of supply current per amplifier, operating from $\pm 12V$ supplies. This driver achieves a typical distortion of less than -85dBc, at 150kHz into a 25 Ω load. The EL1510 is available in the power 8-pin LPP package and is specified for operation over the full -40°C to +85°C temperature range. The LPP package has the potential for a very low junction to ambient thermal resistance of 43°C/W, making it suitable for high power applications. The EL1510 is in the 8-pin SO package and thus is limited to applications where the power dissipation in the device is less than 781mW.

The EL1510 is ideal for CPE modem applications in ADSL, HDSL2, G.SHDSL, and VDSL.

Features

- 40V_{P-P} differential output drive into 100 Ω
- -85dBc typical driver output distortion at full output at 150kHz
- Low quiescent current of 7.5mA per amplifier

Applications

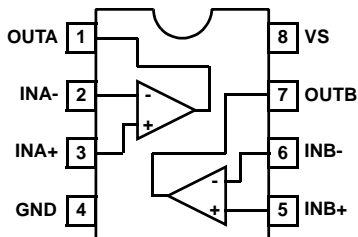
- ADSL G.lite CO line driving
- G.SHDSL, HDSL2 line drivers
- ADSL full rate CPE line driving
- Video distribution amplifiers
- Video twisted-pair line drivers

Ordering Information

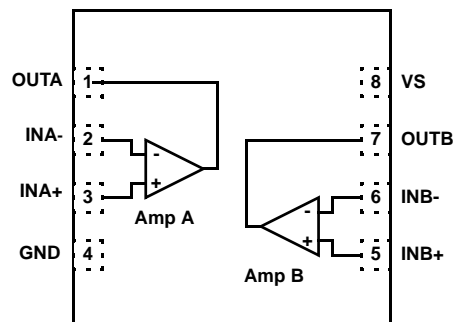
PART NUMBER	PACKAGE	TAPE & REEL	PKG. NO.
EL1510CS	8-Pin SO	-	MDP0027
EL1510CS-T7	8-Pin SO	7"	MDP0027
EL1510CS-T13	8-Pin SO	13"	MDP0027
EL1510CL	8-Pin LPP	-	MDP0047
EL1510CL-T7	8-Pin LPP	7"	MDP0047
EL1510CL-T13	8-Pin LPP	13"	MDP0047

Pinouts

**EL1510
(8-PIN SO)
TOP VIEW**



**EL1510
(8-PIN LPP)
TOP VIEW**



Get FULL DATASHEET

All Intersil U.S. products are manufactured, assembled and tested utilizing ISO9000 quality systems.
Intersil Corporation's quality certifications can be viewed at www.intersil.com/design/quality

Intersil products are sold by description only. Intersil Corporation reserves the right to make changes in circuit design, software and/or specifications at any time without notice. Accordingly, the reader is cautioned to verify that data sheets are current before placing orders. Information furnished by Intersil is believed to be accurate and reliable. However, no responsibility is assumed by Intersil or its subsidiaries for its use; nor for any infringements of patents or other rights of third parties which may result from its use. No license is granted by implication or otherwise under any patent or patent rights of Intersil or its subsidiaries.

For information regarding Intersil Corporation and its products, see www.intersil.com