

PLEASE CHECK WWW.MOLEX.COM FOR LATEST PART INFORMATION

Part Number: [0194290032](#)
Status: **Active**
Overview: [mx150I sealed connector system](#)
Description: MX150L™ 16 Circuit Panel Mount Plug for 14 to 22 AWG Wire, Through Hole Flange Assembly, without Gasket

Documents:

[3D Model](#) [Product Specification PS-19417-001 \(PDF\)](#)
[Drawing \(PDF\)](#) [RoHS Certificate of Compliance \(PDF\)](#)

General

Product Family	Crimp Housings
Series	19429
Comments	For Outside or Inside Panel Mount Application
Overview	mx150I sealed connector system
Product Literature Order No	987650-2181
Product Name	MX150L™

Physical

Circuits (maximum)	16
Gender	Male
Glow-Wire Compliant	No
Lock to Mating Part	Yes
Number of Rows	2
Packaging Type	Bag
Panel Mount	Yes
Pitch - Mating Interface (in)	0.230 In
Pitch - Mating Interface (mm)	5.84 mm
Polarized to Mating Part	Yes
Stackable	No
Temperature Range - Operating	-40°C to +125°C

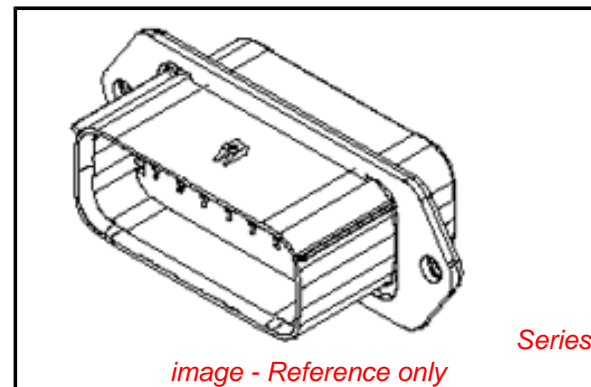
Electrical

Current - Maximum per Contact	18A
-------------------------------	-----

Material Info

Reference - Drawing Numbers

Packaging Specification	PK-19429-001
Product Specification	PS-19417-001
Sales Drawing	SD-19429-016



EU RoHS

ELV and RoHS Compliant
REACH SVHC
 Not Reviewed
Halogen-Free Status
 Not Reviewed

China RoHS



Need more information on product environmental compliance?

Email productcompliance@molex.com
 For a multiple part number RoHS Certificate of Compliance, [click here](#)

Please visit the [Contact Us](#) section for any non-product compliance questions.

Search Parts in this Series

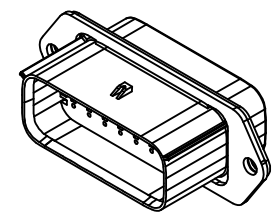
[19429Series](#)

Mates With

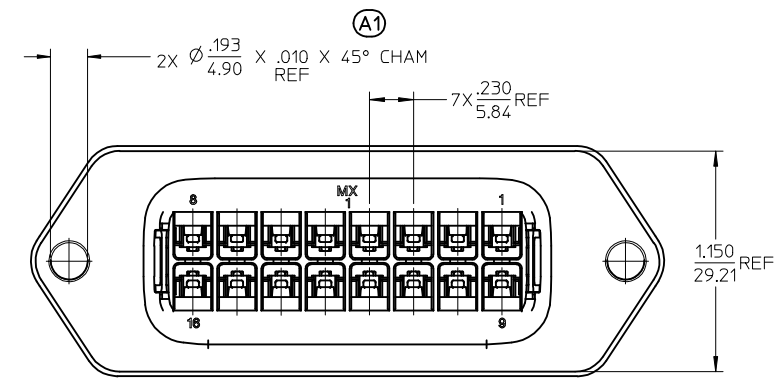
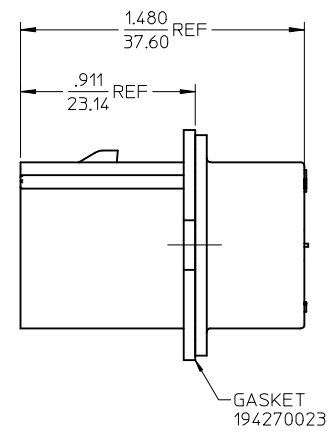
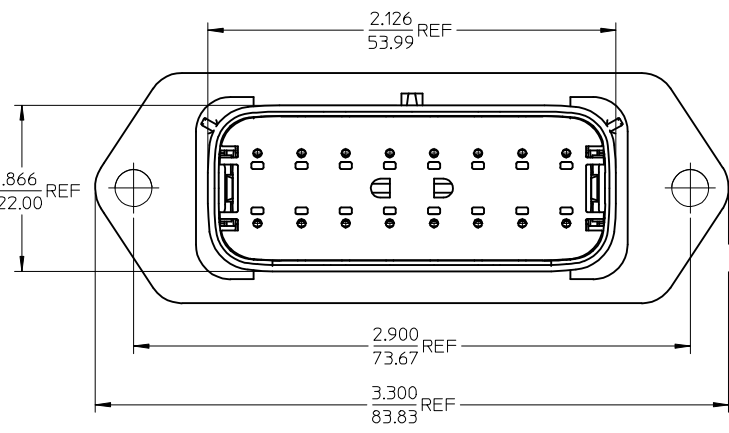
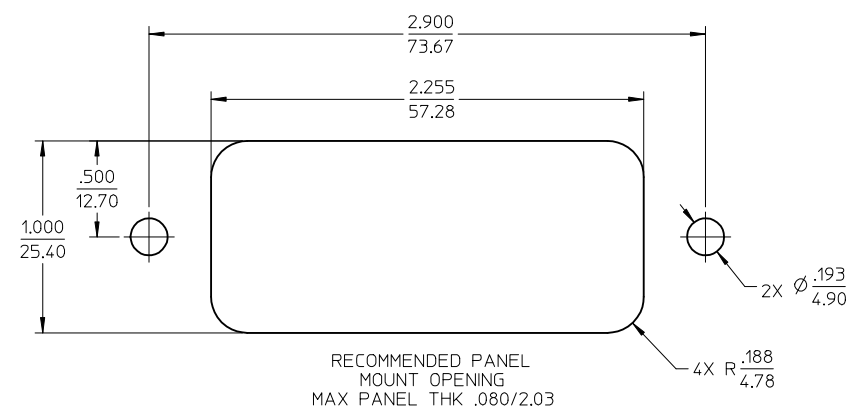
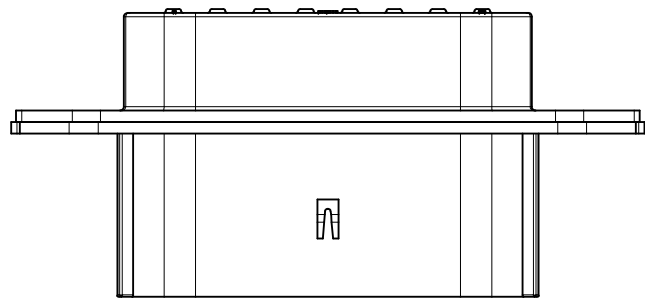
[19418 Receptacle Assemblies](#)

Use With

[19417 Male Crimp Terminals](#)



ASSEMBLED VIEW
SCALE 1:1



- NOTES:
1. ASSEMBLY BULK PACKAGED PER PK-19429-001.
 2. USE CONNECTOR WITH MALE CRIMP TERMINAL: SERIES 19417.
 3. PLUG PANEL MOUNT ASSEMBLY DESIGNED TO MATE TO 19418 SERIES RECEPTACLE ASSEMBLIES.

194290048	YES
194290032	NO
MATERIAL NUMBER	GASKET

UPDATE THRU HOLE DIAMETER EC NO: WNA2009-0790 DRWN: WLEUNG 2009/06/01 CHKD: RDEROSS 2009/06/05 APPR: RDEROSS 2009/06/10	QUALITY SYMBOLS	GENERAL TOLERANCES (UNLESS SPECIFIED)	SCALE	DESIGN UNITS	THIRD ANGLE PROJECTION	REVISE ON CAD ONLY		
	▼ -0 ▽ -0		mm	INCH			IN/MM	
			4 PLACES ± --- ± --- 3 PLACES ± --- ± .015 2 PLACES ± 0.38 ± --- 1 PLACE ± --- ± ---				DRAWN BY	DATE
			ANGULAR ± 1 °				DYMYRICK	04/07/21
A1	DESCRIPTION	DRAFT WHERE APPLICABLE	CHECKED BY	DATE	TITLE			
		MUST REMAIN WITHIN DIMENSIONS	JPAWLICK	04/07/21	16 WAY PLUG PANEL MOUNT ASSEMBLY W/O BOSS 22-14 AWG			
			APPROVED BY	DATE	MATERIAL NO.	DOCUMENT NO.		
			RDEROSS	04/07/21	SEE CHART	SD-19429-016		
			THIS DRAWING CONTAINS INFORMATION THAT IS PROPRIETARY TO MOLEX INCORPORATED AND SHOULD NOT BE USED WITHOUT WRITTEN PERMISSION		SHEET NO.	1 OF 1		