

**PLEASE CHECK WWW.MOLEX.COM FOR LATEST PART INFORMATION**

**Part Number:** [0194290026](#)  
**Status:** **Active**  
**Overview:** [mx150I sealed connector system](#)  
**Description:** MX150L™ 2 Circuit Panel Mount Plug for 14-22 AWG Wire, Through Hole Flange Assembly, without Gasket

**Documents:**

[3D Model](#) [Product Specification PS-19417-001 \(PDF\)](#)  
[Drawing \(PDF\)](#) [RoHS Certificate of Compliance \(PDF\)](#)

**General**

Product Family	Crimp Housings
Series	<a href="#">19429</a>
Comments	For Outside or Inside Panel Mount Application
Overview	<a href="#">mx150I sealed connector system</a>
Product Literature Order No	987650-2181
Product Name	MX150L™

**Physical**

Circuits (maximum)	2
Gender	Male
Glow-Wire Compliant	No
Lock to Mating Part	Yes
Number of Rows	1
Packaging Type	Bag
Panel Mount	Yes
Pitch - Mating Interface (in)	0.230 In
Pitch - Mating Interface (mm)	5.84 mm
Polarized to Mating Part	Yes
Stackable	No
Temperature Range - Operating	-40°C to +125°C

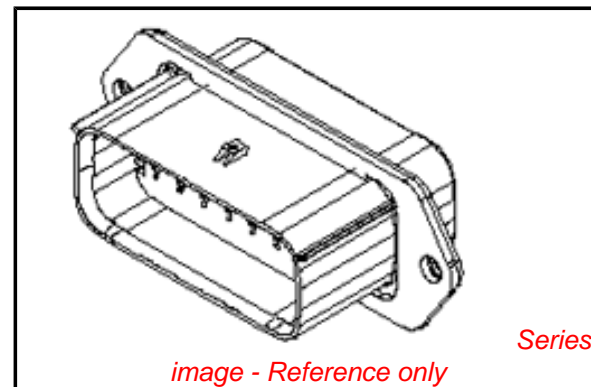
**Electrical**

Current - Maximum per Contact	18A
-------------------------------	-----

**Material Info**

**Reference - Drawing Numbers**

Packaging Specification	PK-19429-001
Product Specification	PS-19417-001
Sales Drawing	SD-19429-009



*image - Reference only*

**EU RoHS**

**ELV and RoHS Compliant**  
**REACH SVHC**  
 Not Reviewed  
**Halogen-Free Status**

**China RoHS**



**Not Reviewed**

**Need more information on product environmental compliance?**

Email [productcompliance@molex.com](mailto:productcompliance@molex.com)  
 For a multiple part number RoHS Certificate of Compliance, [click here](#)

Please visit the [Contact Us](#) section for any non-product compliance questions.

**Search Parts in this Series**

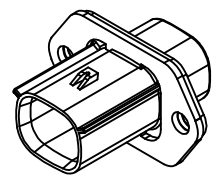
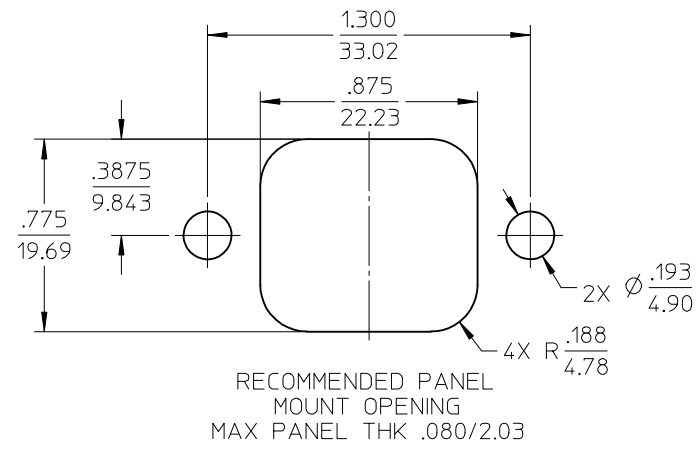
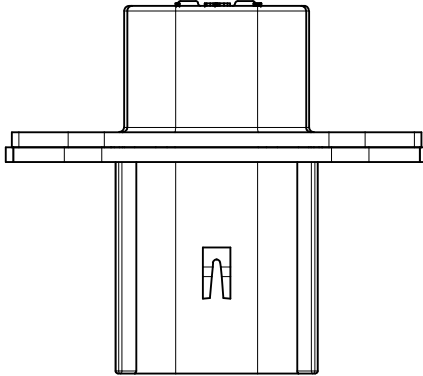
[19429Series](#)

**Mates With**

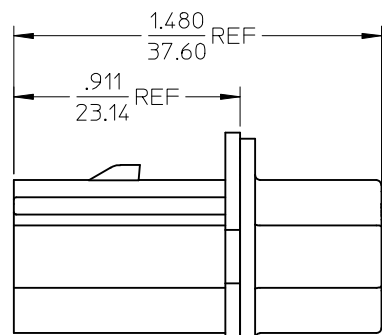
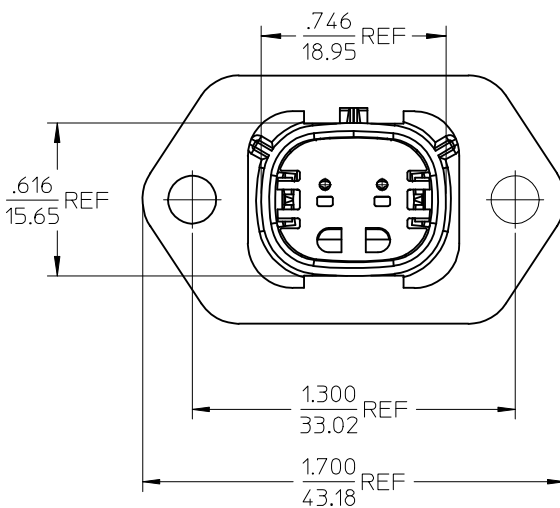
[19418 Receptacle Assemblies](#)

**Use With**

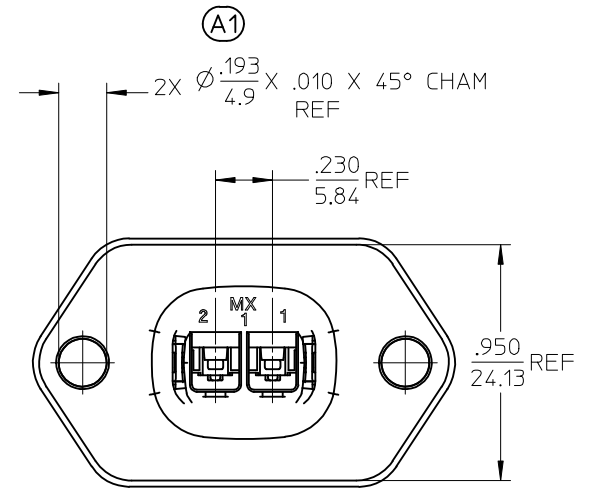
[19417 Male Crimp Terminals](#)



ASSEMBLED VIEW  
SCALE 1:1



GASKET  
194270025



- NOTES:
1. ASSEMBLY BULK PACKAGED PER PK-19429-001.
  2. USE CONNECTOR WITH MALE CRIMP TERMINAL: SERIES 19417.
  3. PLUG PANEL MOUNT ASSEMBLY DESIGNED TO MATE TO 19418 SERIES RECEPTACLE ASSEMBLIES.

194290041	YES
194290026	NO
MATERIAL NUMBER	GASKET

UPDATED THRU HOLE DIMENSION EC NO: WNA2009-0790 DRWN: WLEUNG 2009/05/26 CHKD: RDEROSS 2009/06/05 APPR: RDEROSS 2009/06/10	QUALITY SYMBOLS	GENERAL TOLERANCES (UNLESS SPECIFIED)	SCALE 2:1	DESIGN UNITS INCH	THIRD ANGLE PROJECTION	REVISE ON CAD ONLY
	▽-0 ∇-0	mm	INCH	DIMENSION STYLE IN/MM		TITLE 2-WAY PLUG PANEL MOUNT ASSEMBLY W/O BOSS 22-14 AWG
		4 PLACES ± --- ± ---	3 PLACES ± --- ± .015	2 PLACES ± 0.38 ± ---	1 PLACE ± --- ± ---	
	A1	DESCRIPTION	ANGULAR ± 1° DRAFT WHERE APPLICABLE MUST REMAIN WITHIN DIMENSIONS	DRAWN BY DMYRICK CHECKED BY JPAWLICK APPROVED BY RDEROSS DATE 2004/07/15	DATE 2004/07/15 DATE 2004/07/15 DATE 2004/07/15	THIS DRAWING CONTAINS INFORMATION THAT IS PROPRIETARY TO MOLEX INCORPORATED AND SHOULD NOT BE USED WITHOUT WRITTEN PERMISSION