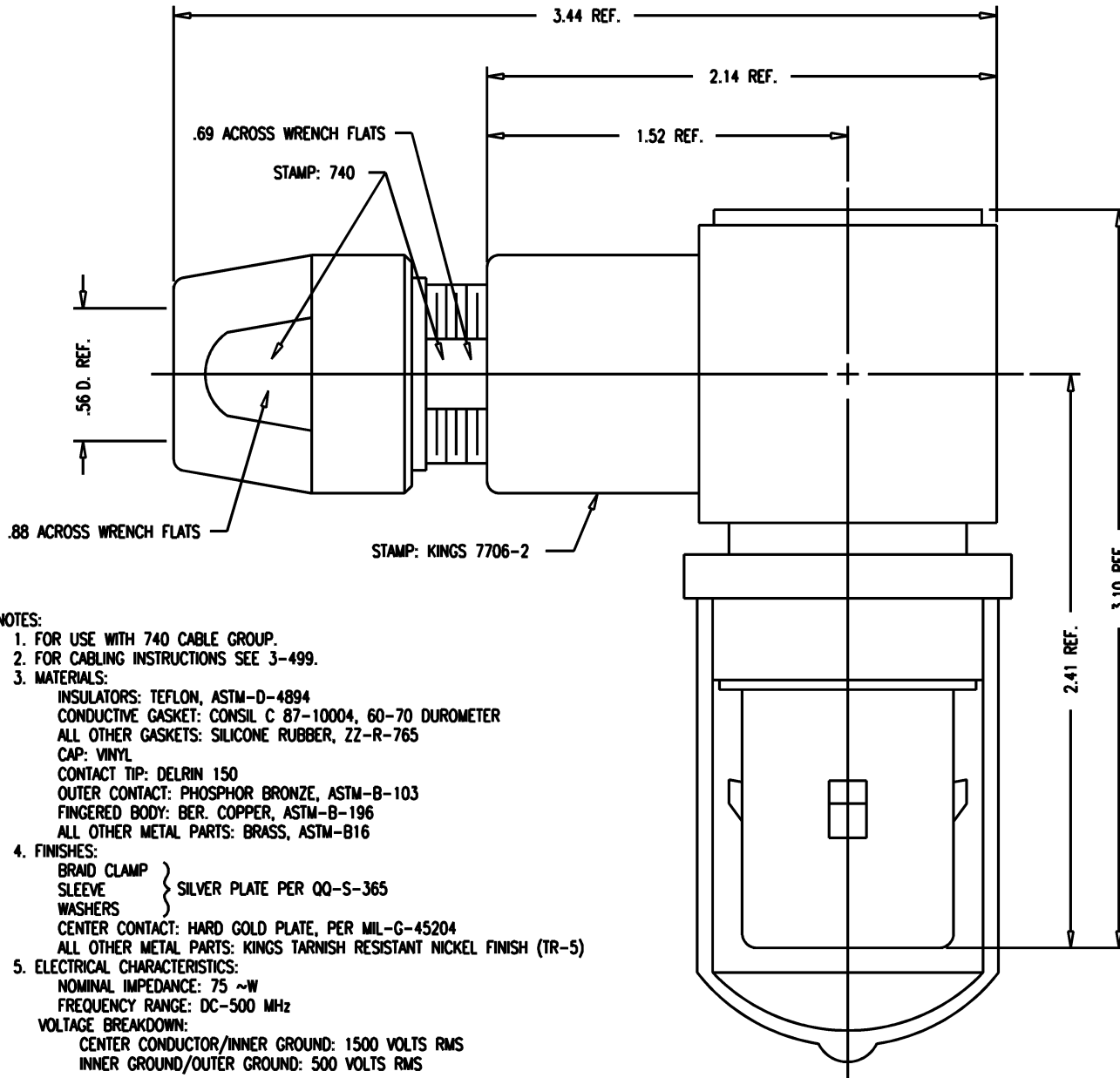


SD



NOTES:

- FOR USE WITH 740 CABLE GROUP.
- FOR CABLING INSTRUCTIONS SEE 3-499.
- MATERIALS:
 - INSULATORS: TEFLON, ASTM-D-4894
 - CONDUCTIVE GASKET: CONSIL C 87-10004, 60-70 DUROMETER
 - ALL OTHER GASKETS: SILICONE RUBBER, ZZ-R-765
 - CAP: VINYL
 - CONTACT TIP: DELRIN 150
 - OUTER CONTACT: PHOSPHOR BRONZE, ASTM-B-103
 - FINGERED BODY: BER. COPPER, ASTM-B-196
 - ALL OTHER METAL PARTS: BRASS, ASTM-B16
- FINISHES:
 - BRAID CLAMP } SILVER PLATE PER QQ-S-365
 - SLEEVE } SILVER PLATE PER QQ-S-365
 - WASHERS } SILVER PLATE PER QQ-S-365
 - CENTER CONTACT: HARD GOLD PLATE, PER MIL-G-45204
 - ALL OTHER METAL PARTS: KINGS TARNISH RESISTANT NICKEL FINISH (TR-5)
- ELECTRICAL CHARACTERISTICS:
 - NOMINAL IMPEDANCE: 75 \sim W
 - FREQUENCY RANGE: DC-500 MHZ
 - VOLTAGE BREAKDOWN:
 - CENTER CONDUCTOR/INNER GROUND: 1500 VOLTS RMS
 - INNER GROUND/OUTER GROUND: 500 VOLTS RMS

7706-2

REVISIONS

ISSUE	CHANGES
0	ER 35444 ME 04/20/95
1	CN 37652 A HVN 08/18/98
2	CN 37692 C HVN 10/05/98
3	CN 38864 E JPK 06/03/03

7706-2SD

SCALE 2:1

APPROX SURFACE AREA

USED ON

REF: KP-8013-740-400

PLUG, ANGLE, TRI-LOC
SERIAL DIGITAL

DRAWN ME DATE 04/21/95

DESIGN DW DATE 04/22/95

APPR. DATE

KINGS
ELECTRONICS CO., INC.
ROCK HILL, SOUTH CAROLINA 29730

SD

7706-2