



SMA Female Right Angle Connector Solder Attachment 2 Hole Flange Pin Terminal, .481 inch Hole Spacing, +45 Degree Flange Direction

TECHNICAL DATA SHEET

PE44238

SMA Female Right Angle Connector Solder Attachment 2 Hole Flange Pin Terminal, .481 inch Hole Spacing, +45 Degree Flange Direction

Configuration

Connector	SMA Female
Connector Specification	MIL-C-39012
Connector Interface Type	Pin
Cable Attachment Method (Shield/Contact)	Solder
Body Style	Right Angle
Mount Method	2 Hole Flange

Electrical Specifications

Impedance, Ohms	50
-----------------	----

Mechanical Specifications

Temperature

Operating Range, deg C	-65 to +165
------------------------	-------------

Size

Length, in [mm]	1.205 [30.61]
Width/Dia., in [mm]	0.625 [15.88]
Height, in [mm]	0.598 [15.19]
Weight, lbs [g]	0.013 [5.9]

Connector

Type	SMA Female
Contact Material and Plating	Gold
Contact Plating Specification	MIL-G-45204
Body Material and Plating	Brass, Gold
Body Plating Specification	MIL-G-45204
Dielectric Type	Teflon

Compliance Certifications (visit www.Pasternack.com for current document)

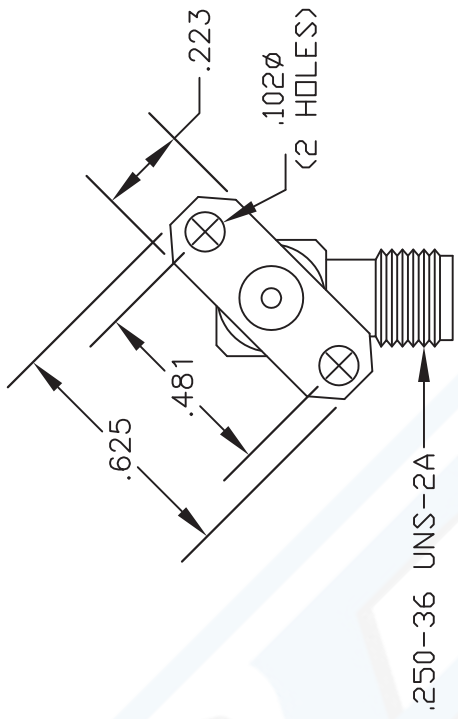
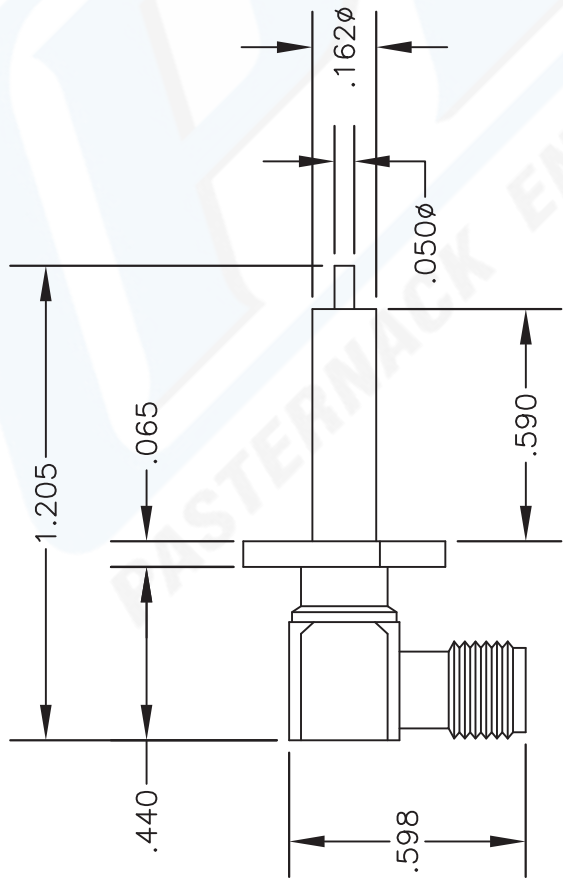
RoHS Compliant	Yes
----------------	-----

Click the following link (or enter part number in "SEARCH" on website) to obtain additional part information including price, inventory and certifications: [SMA Female Right Angle Connector Solder Attachment 2 Hole Flange Pin Terminal, .481 inch Hole Spacing, +45 Degree Flange Direction PE44238](#)

The information contained in this document is accurate to the best of our knowledge and representative of the part described herein. It may be necessary to make modifications to the part and/or the documentation of the part, in order to implement improvements. Pasternack reserves the right to make such changes as required. Unless otherwise stated, all specifications are nominal.



MATERIALS	
BODY	BRASS GOLD PLATED
CONTACT	GOLD PLATED
INSULATOR	PTFE



PASTERMACK ENTERPRISES, INC.
 P.O. BOX 16759, IRVINE, CA 92623
 PHONE (949) 261-1920 FAX (949) 261-7451
 WEB ADDRESS: www.pasternack.com
 E-MAIL ADDRESS: sales@pasternack.com
COAXIAL & FIBER OPTICS

DWG TITLE	DES.
PE44238	SMA FEMALE, RIGHT ANGLE 2 HOLE PANEL MOUNT, +45° DIRECTION .590" EXTENDED DIELECTRIC
SIZE A	FSCM NO. 53919
CAD FILE	070202
SCALE	N/A
	127

NOTES:
 1. UNLESS OTHERWISE SPECIFIED ALL DIMENSIONS ARE NOMINAL.
 2. ALL SPECIFICATIONS ARE SUBJECT TO CHANGE WITHOUT NOTICE AT ANY TIME.