

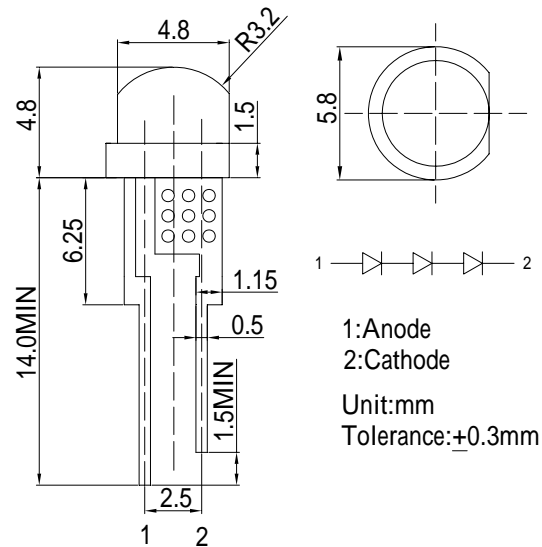
Features

- High Luminous LEDs
- 4.8mm Straw Standard Directivity
- Superior Weather-resistance
- UV Resistant Epoxy
- Water Clear Type

Applications

- Electronic Signs And Signals
- Illuminations
- Medical instruments light
- Other Lighting

Outline Dimension

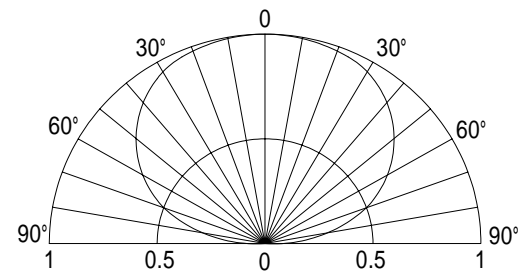


Absolute Maximum Rating (Ta=25)

| Item | Symbol | Value | Unit |
|----------------------------|-----------|------------|------|
| DC Forward Current | I_F | 25 | mA |
| Pulse Forward Current* | I_{FP} | 100 | mA |
| Reverse Voltage | V_R | 15 | V |
| Power Dissipation | P_D | 270 | mW |
| Operating Temperature | T_{opr} | -30 ~ +85 | |
| Storage Temperature | T_{stg} | -40 ~ +100 | |
| Lead Soldering Temperature | T_{sol} | 260 /5sec | - |

*Pulse width Max 10ms , Duty ratio max 1/10

Directivity



Electrical -Optical Characteristics (Ta=25)

| Item | Symbol | Condition | Min. | Typ. | Max. | Unit |
|---------------------|-----------------|------------|------|------|------|---------|
| DC Forward Voltage | V_F | $I_F=20mA$ | 8.7 | 9.3 | 10.8 | V |
| DC Reverse Current | I_R | $V_R=15V$ | - | - | 10 | μA |
| Domi Wavelength* | λ_D | $I_F=20mA$ | 465 | 470 | 475 | nm |
| Luminous Intensity* | I_v | $I_F=20mA$ | - | 1200 | - | mcd |
| 50% Power Angle | $2\theta_{1/2}$ | $I_F=20mA$ | - | 140 | - | deg |

*1 Tolerance of chromaticity coordinates ±10%

*2 Tolerance of luminous intensity is ±15%