

New Jersey Semi-Conductor Products, Inc.

20 STERN AVE.
 SPRINGFIELD, NEW JERSEY 07081
 U.S.A.

TELEPHONE: (973) 378-2922
 (212) 227-6005
 FAX: (973) 378-8960

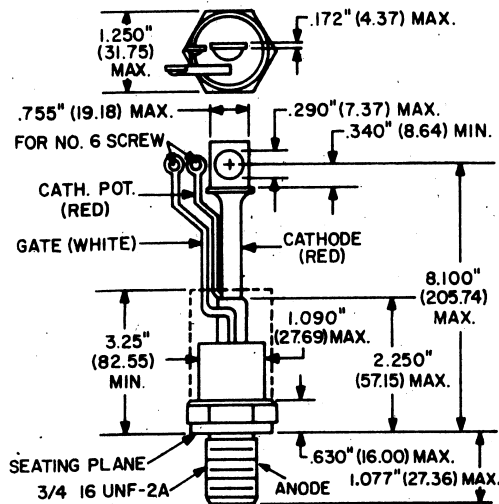
PARAMETERS

150C15B

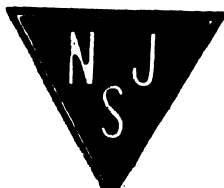
SCR, V(DRM) = 100 V TO 199.9 V

Description: SCR, V(DRM) = 100 V to 199.9 V

| | |
|--------------------------------|-------|
| Manufacturer..... | many |
| Mil/High-Rel? (Y/N)..... | |
| V(drm) Max..... | 150 |
| It(stat) Max. (A)..... | 235 |
| @Temp. (test) (°C)..... | 125 |
| Supp Curr. I(TSM)..... | 3.0k |
| Firing Char-Igt Max..... | 200m |
| Firing Char-Vgt Max..... | 3.0 |
| Id(off) Max. (A)..... | 20m |
| @Temp. (test) (°C)..... | 125 |
| I(h) Max. (A)..... | 200m |
| V(T) Max..... | 1.7 |
| @It (A)..... | 500 |
| Dv/Dt Worst Case..... | 200 |
| t(switch) Off Typ. Time (S)... | 5.5uN |
| @It (test) (A)..... | 100 |
| t(switch) Off Typ. Time (S)... | 100u> |
| Oper. Temp (°C) Min..... | -45 |
| Oper. Temp (°C) Max..... | 125 |
| Pkg Style..... | TO-93 |
| Surface Mounted (Y/N)..... | N |



Torque to 300 in-lbs. Max.



NJ Semi-Conductors reserves the right to change test conditions, parameter limits and package dimensions without notice. Information furnished by NJ Semi-Conductors is believed to be both accurate and reliable at the time of going to press. However NJ Semi-Conductors assumes no responsibility for any errors or omissions discovered in its use. NJ Semi-Conductors encourages customers to verify that datasheets are current before placing orders.