

FEATURES

- Cispr 22'B', Vcci'B', Fcc'B' Compliance
- Efficiency Over 70%
- Over-Voltage Protective Installation
- Short-circuit Protective Installation
- Protection Type: Auto-Recover
- Operating Temperature 0°C~40°C



SPECIFICATION

Item \ Model	SP9812	SP9812A
Input Voltage	AC 90~264V	
Input Frequency	47~63Hz	
Input Current	1.0A Maximum	
Inrush Current	50A Maximum	
Efficiency	73% Typical	
Temperature Coefficient	0.05%/°C	
Hold-Up Time	16ms Minimum	
Over-Load Protection	110%~200%(Auto-Recover)	
Over-Voltage Protection	6.7V Maximum (5V Output)	
Operating Temperature	0~40°C	
Storage Temperature	-20~85°C	
Weight	420g/14.9oz	
Safety Description	UL, CUL, TUV, CE, BSMI	UL, CUL, TUV, BSMI

(*): Under Development (I/P): In Process

Bothhand USA. e-mail: sales@bothhandusa.com <http://www.bothhand.com>

462 Boston St - Topsfield, MA 01983 - Phone: 978-887-8050 - Fax: 978-887-5434

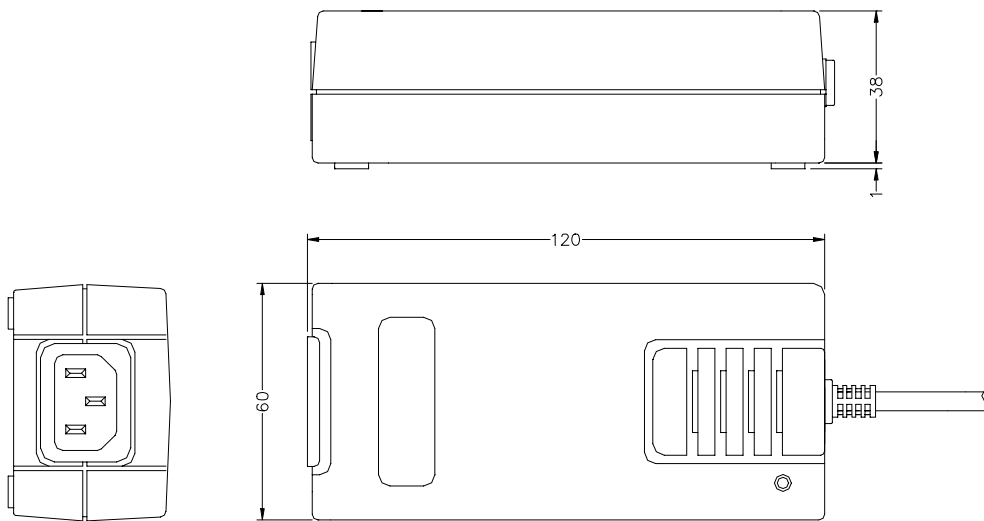
ORDERING INFORMATION

SP9812 **A** - **D3**

Output Plug List

Outputs (Blank or A)

MECHANICAL



Unit: m.m.

OUTPUTS

Model No.	Vo	Load			Regulation		Tolerance	Ripple & Noise
		Min.	Rated	Surge	Line	Load		
SP9812	Vo1 +5V	0.5A	1.5A	---	1.0%	5.0%	± 5.0%	50mV
	Vo2 +12V	0.5A	1.5A	---	1.0%	5.0%	± 5.0%	100mV
SP9812A	Vo1 +5V	0.5A	3.0A	---	1.0%	5.0%	± 5.0%	50mV
	Vo2 +12V	0.5A	1.0A	---	1.0%	5.0%	± 5.0%	100mV

Standard Output Cable:
20AWG, UL 2464/3C/Shielding, 1500mm

<

Bothhand USA. e-mail: sales@bothhandusa.com <http://www.bothhand.com>

462 Boston St - Topsfield, MA 01983 - Phone: 978-887-8050 - Fax: 978-887-5434