



10/100 Base-TX SINGLE PORT MAGNETIC MODULES With Various Tx Turns Ratio

- ① Meets all IEEE 802.3 and ANSI X3.263 standard including 350 uH OCL with 8 mADC Bias
- ② Designed for use with transceivers from AMD, Kendin Semiconductor, & Quality Semiconductor

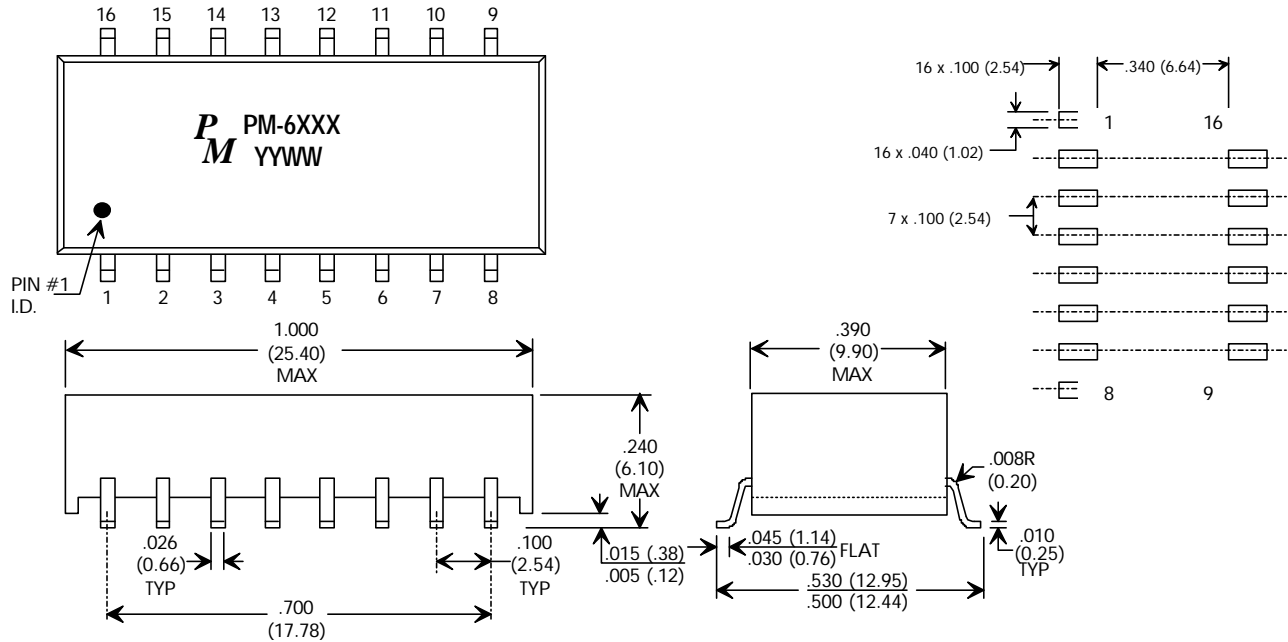
ELECTRICAL SPECIFICATIONS AT 25°C - OPERATING TEMPERATURE RANGE 0°C TO +70°C

PART NUMBER	Turn Ratio		INSERTION LOSS (dB Max) 1 to 100MHz	Return Loss (dB Min)			Crosstalk (dB Min)			Package/Schematic		HI-POT (Vrms Min)
	RX	TX		30 MHz	60 MHz	80 MHz	30 MHz	60 MHz	100 MHz			
PM-6001	1:1	1.41:1	-1.0	-16	-12	-10	-45	-38	-34	S	A	1500
PM-6002	1:1	1.41:1	-1.0	-16	-12	-10	-45	-38	-34	T	A	1500
PM-6003	1:1	1:1.41	-2.0	-16	-12	-11	-45	-38	-34	S	B	1500
PM-6004	1:1	1:1.41	-2.0	-16	-12	-11	-45	-38	-34	T	B	1500
PM-6005	1:1	1.41:1	-1.0	-16	-12	-10	-45	-38	-34	S	C	1500
PM-6006	1:1	1.41:1	-1.0	-16	-12	-10	-45	-38	-34	T	C	1500
PM-6007	1:1	1.25:1	-1.0	-16	-12	-10	-45	-38	-34	S	A	1500
PM-6008	1:1	1.25:1	-1.0	-16	-12	-10	-45	-38	-34	T	A	1500
PM-6009	1:1	1.41:1	-1.0	-16	-12	-10	-45	-38	-34	S	D	1500
PM-6010	1:1	1.41:1	-1.0	-16	-12	-10	-45	-38	-34	T	D	1500
PM-6011	1:1	1:1.41	-2.0	-16	-12	-11	-45	-38	-34	S	C	1500
PM-6012	1:1	1:1.41	-2.0	-16	-12	-11	-45	-38	-34	T	C	1500

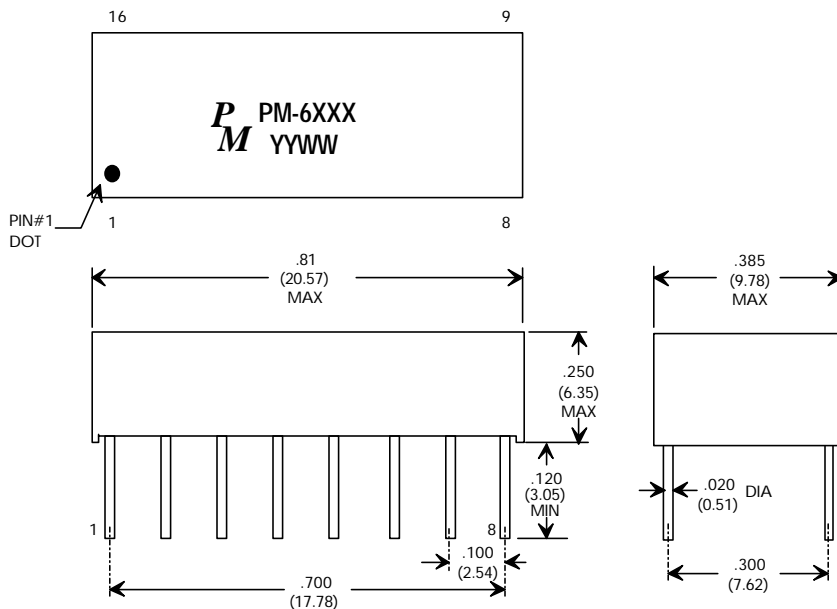
10/100 Base-TX SINGLE PORT MAGNETIC MODULES With Various Tx Turns Ratio

PACKAGE "S"

All Dimensions in inches (mm)



PACKAGE "T"

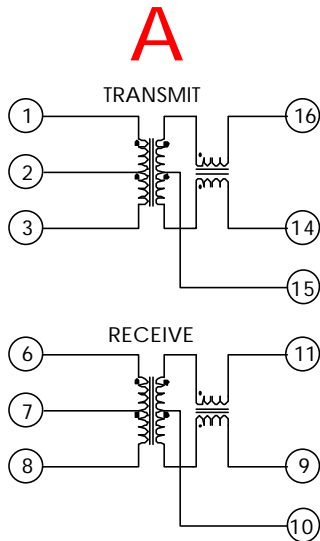


Specifications subject to change without notice.

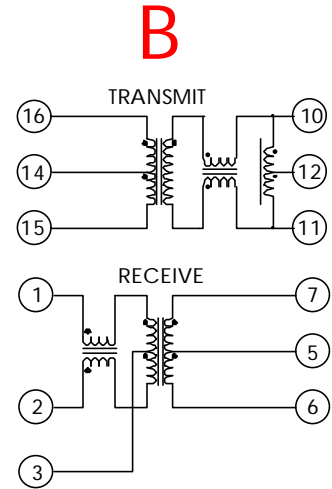
pm-6xxx11/00

10/100 Base-TX SINGLE PORT MAGNETIC MODULES With Various Tx Turns Ratio

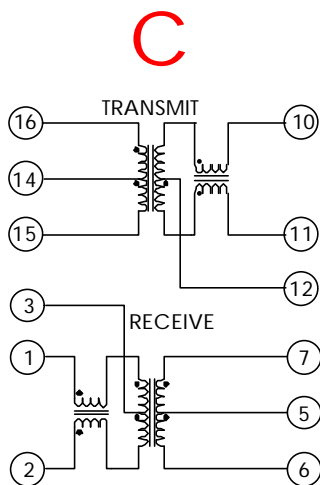
SCHEMATIC "A"



SCHEMATIC "B"



SCHEMATIC "C"



SCHEMATIC "D"

