

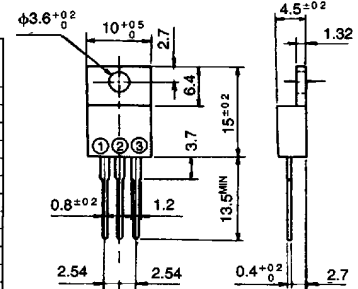
MOSFETS

T-39-13



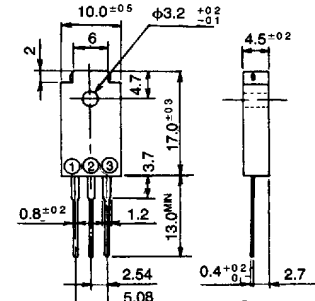
F-I SERIES (LOW RDS(on))

Device Type	Ratings			Characteristics (Tc=25°C)				Package
	V _{DSS} (V)	I _D (A)	P _D (W)	R _{DS(on)} (Ω)	g _{fs} (S)	t _{on} (ns)	t _{off} (ns)	
2SK905	50	45	125	0.03	25	160	550	TO3P
2SK1134	50	45	80	0.03	25	170	550	TO3PF
2SK905A	80	39	125	0.04	25	160	550	TO3P
2SK906	100	32	125	0.06	20	120	470	TO3P
2SK906A	120	30	125	0.07	20	120	470	TO3P
2SK900	250	12	80	0.3	9	75	260	TO220
2SK947	250	12	40	0.3	9	75	260	TO220F
2SK948	250	12	100	0.3	9	75	260	TO3P
2SK901	250	20	125	0.15	15	100	520	TO3P
2SK902	250	30	150	0.10	20	200	1000	TO3P
2SK901A	270	20	125	0.19	15	100	520	TO3P
2SK902A	270	30	150	0.13	20	200	1000	TO3P
2SK949	500	6	40	1.2	7	65	260	TO220F
2SK950	500	6	80	1.2	7	65	260	TO220
2SK723	500	7	125	1.2	7	65	260	TO3P
2SK859	500	9	125	0.80	5	195	570	TO3P
2SK724	500	10	100	0.67	10	130	440	TO3P
2SK1099	500	10	80	0.67	10	130	430	TO3PF
2SK725	500	15	125	0.38	16	130	440	TO3P
2SK899	500	18	125	0.33	16	130	440	TO3P
2SK897	550	4	40	1.5	5	65	240	TO220F
2SK725A	550	15	125	0.45	16	130	440	TO3P
2SK903	800	3	40	4.0	4	60	210	TO220F
2SK904	800	3	80	4.0	4	60	210	TO220
2SK954	800	3	100	4.0	4	60	210	TO3P
2SK1105	800	3	80	4.0	4	60	210	TO3PF
2SK955	800	5	125	2.0	6	110	420	TO3P
2SK1384	800	5	125	2.00	6	110	420	TO3PF
2SK960	900	3	40	5.0	4	60	210	TO220F
2SK961	900	3	80	5.0	4	60	210	TO220
2SK726	900	3	100	5.0	4	60	210	TO3P
2SK727	900	5	125	2.5	6	110	420	TO3P
2SK1212	900	5	80	2.5	6	110	420	TO3PF



TO220AB

- 1 : Gate
- 2 : Drain
- 3 : Source

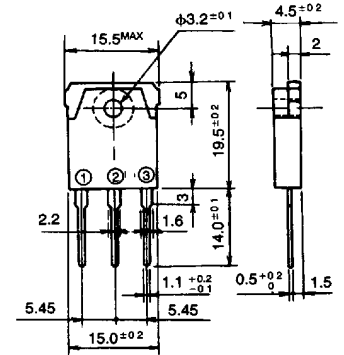


TO220F

- 1 : Gate
- 2 : Drain
- 3 : Source

F-II SERIES (toff 30% REDUCED, VGS=30V)

Device Type	Ratings			Characteristics (Tc=25°C)				Package
	V _{DSS} (V)	I _D (A)	P _D (W)	R _{DS(on)} (Ω)	g _{fs} (S)	t _{on} (ns)	t _{off} (ns)	
2SK1221	250	10	80	0.40	4.5	90	225	TO220
2SK1006	450	5	40	1.6	3	60	130	TO220F
2SK1007	450	5	60	1.6	3	60	130	TO220
2SK1009	450	7	80	1.3	4	70	130	TO220
2SK1386	450	7	100	2.20	4	70	130	TO3P
2SK1101	450	10	50	0.65	6.5	110	240	TO220F
2SK1011	450	10	100	0.65	6.5	110	240	TO3P
2SK1013	450	13	125	0.6	8	140	240	TO3P
2SK1004	450	15	125	0.40	13.0	310	810	TO3P
2SK1222	450	15	125	0.55	8.0	215	370	TO3P
2SK1015	450	18	125	0.45	10	170	330	TO3P
2SK1017	450	20	150	0.35	14	250	490	TO3P
2SK1019	450	35	300	0.2	20	360	900	TO3PL
2SK1008	500	4.5	60	2.2	3	60	130	TO220
2SK1010	500	6	80	1.6	4	70	130	TO220
2SK1102	500	10	50	0.9	6.5	110	240	TO220F
2SK1503	500	10	80	0.90	6.5	165	360	TO220
2SK1012	500	10	100	0.9	6.5	110	240	TO3P
2SK1014	500	12	125	0.74	8	140	240	TO3P
2SK1016	500	15	125	0.55	10	170	330	TO3P
2SK1018	500	18	125	0.45	10	170	330	TO3P
2SK1020	500	30	300	0.25	20	360	900	TO3PL
2SK951	800	2.5	40	7	1.8	60	110	TO220F
2SK952	800	2.5	45	7	1.8	60	110	TO220
2SK953	800	2.5	80	7	1.8	60	110	TO3P
2SK1211	800	2.5	40	7	1.8	60	110	TO3PF
2SK1021	800	3	60	6	2	85	160	TO220
2SK1023	800	4	60	4.5	4	95	170	TO220
2SK1224	800	4	50	4.50	4.0	145	255	TO3PF
2SK1171	800	4	80	4.5	4	95	170	TO3P
2SK1081	800	7	125	2.2	4.5	145	250	TO3P
2SK956	800	9	150	1.5	6	280	460	TO3P
2SK1385	800	9	150	1.50	6	280	460	TO3PF
2SK957	900	2	40	8.5	1.8	60	110	TO220F
2SK958	900	2	45	8.5	1.8	60	110	TO220
2SK959	900	2	80	8.5	1.8	60	110	TO3P
2SK1022	900	2.5	60	7.3	2	85	160	TO220
2SK1005	900	3	100	7.00	3.0	110	210	TO3P
2SK1024	900	3.5	60	5.5	4	95	170	TO220
2SK1172	900	3.5	80	5.5	4	95	170	TO3P



TO3P

- 1 : Gate
- 2 : Drain
- 3 : Source

FUJI Semiconductors • Imported and Distributed by:

Collmer Semiconductor, Inc.

14368 PROTON • DALLAS, TEXAS 75244 • 800-527-0251

FAX 214/233-0481