

Preliminary

TOSHIBA Bipolar Linear Integrated Circuit Silicon Monolithic

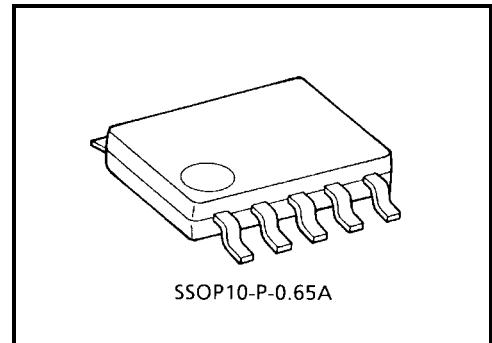
TA6042FNG

Shock sensor IC for signal processing

TA6042FNG performs the signal processing in response to the amplification signal of a shock sensor.

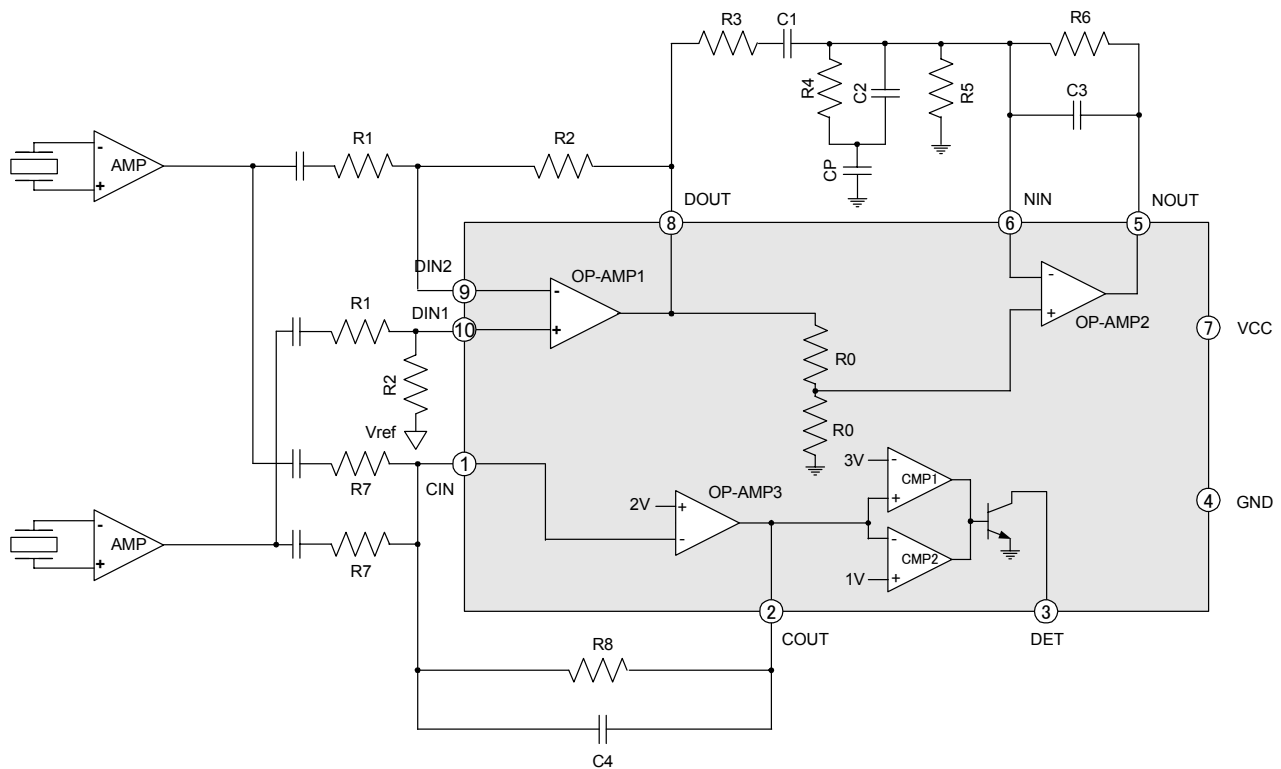
Features

- TA6042FNG is operated under 4.5 ~ 5.5 V DC single power supply voltage.
- User can make notch-filter circuit with OP-AMP2 and external element, and adjust gain by changing R1/R2 Ratio.
- To change the g-force sensing level, user can adjust gain by changing R7/R8 ratio.
- The Window comparator has a hysteresis which width is about 150mV.
- Small package: SSOP10-P-0.65A (0.65 mm pitch)



Weight: 0.04 g (Type.)

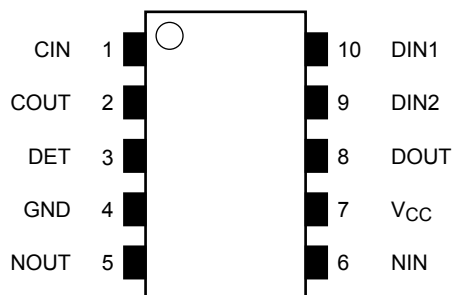
Block Diagram



Pin Function

Pin No.	Pin Name	Function
1	CIN	OP-AMP3 input terminal (Shock sensor amplification signal input)
2	COUT	OP-AMP3 output terminal
3	DET	Window Comparator output terminal (“L” is outputted at the time of shock detection.)
4	GND	Ground terminal
5	NOUT	OP-AMP2 output terminal
6	NIN	OP-AMP2 input terminal
7	V _{CC}	Power supply voltage
8	DOUT	OP-AMP1 output terminal
9	DIN2	OP-AMP1 - side input terminal (Shock sensor amplification signal input)
10	DIN1	OP-AMP1 + side input terminal (Shock sensor amplification signal input)

Pin Connection (top view)



Maximum Ratings (Ta = 25°C)

Characteristics	Symbol	Rating	Unit
Power supply voltage	V _{CC}	7	V
Power dissipation	P _D	300	mW
Storage temperature	T _{stg}	-55~150	°C

Recommend Operating Condition

Characteristics	Symbol	Rating	Unit
Power supply voltage	V _{CC}	4.5~5.5	V
Operating temperature	T _{opr}	-25~85	°C

Note: The IC may be destroyed due to short circuit between adjacent pins, incorrect orientation of device's mounting, connecting positive and negative power supply pins wrong way round, air contamination fault, or fault by improper grounding.

Please consider the voltage-drop caused by OP-AMP3 input current and feedback resistance (R8), and examine the value of the feedback resistance.

We will recommend 500kΩ or less as a value of the feedback resistance.

TA6042FNG is Pd free product..
 The following conditions apply to solderability:
 *Solderability

1. Use of Sn-63Pb solder bath
 - *solder bath temperature=230 degrees
 - *dipping time=5seconds
 - *number of times=once
 - *use of R-type flux
2. Use of Sn-3.0Ag-0.5Cu solder bath
 - *solder bath temperature=245 degrees
 - *dipping time=5seconds
 - *the number of times=once
 - *use of R-type flux

Electrical Characteristics (unless otherwise specified, $V_{CC} = 5.0\text{ V}$, $T_a = 25^\circ\text{C}$)

Characteristics	Symbol	Test Circuit	Test Condition	Min	Typ.	Max	Unit
Supply voltage	V_{CC}	—	—	4.5	5.0	5.5	V
Supply current	I_{CC}	(1)	Max: $V_{CC}=5.5\text{V}$	—	—	2.5	mA

(OP-AMP1)

Characteristics	Symbol	Test Circuit	Test Condition	Min	Typ.	Max	Unit
Input current	I_{in1}	(2)	—	—	35	80	nA
Output dynamic range	V_{od1}	(3)	—	0.3	—	$V_{CC}-0.3$	V
Output source current	I_{so1}	(4)	$V_{oh} = V_{CC} - 0.3\text{ V}$	100	250	—	μA
Output sink current	I_{si1}	(5)	$V_{ol} = 0.3\text{ V}$	2	11	—	mA

(OP-AMP2)

Characteristics	Symbol	Test Circuit	Test Condition	Min	Typ.	Max	Unit
Input current	I_{in2}	(6)	—	—	35	80	nA
Output dynamic range	V_{od2}	(7)	—	0.3	—	$V_{CC}-0.3$	V
Output source current	I_{so2}	(8)	$V_{oh} = V_{CC} - 0.3\text{ V}$	100	190	—	μA
Output sink current	I_{si2}	(9)	$V_{ol} = 0.3\text{ V}$	2	11	—	mA
Output DC voltage	V_{o2}		5pin - 6pin: Short Circuit, 8pin - 9pin: Short Circuit, 8pin output voltage:2.0V setup. (The voltage input from 10pin)	0.98	1.00	1.02	V

(OP-AMP3)

Characteristics	Symbol	Test Circuit	Test Condition	Min	Typ.	Max	Unit
Input current	I_{in3}	(10)	—	—	35	80	nA
Output dynamic range	V_{od3}	(11)	—	0.3	—	$V_{CC}-0.3$	V
Output source current	I_{so3}	(12)	$V_{oh} = V_{CC} - 0.3\text{ V}$	100	180	—	μA
Output sink current	I_{si3}	(13)	$V_{ol} = 0.3\text{ V}$	2	11	—	mA
Output DC voltage	V_{o3}	(14)	—	1.86	2.00	2.14	V

(Window Comparator)

Characteristics	Symbol	Test Circuit	Test Condition	Min	Typ.	Max	Unit
Hysteresis width	V_{whys}	(15)	—	100	150	200	mV
Detection voltage level (High side)	V_{wsh}	(16)	—	2.79	3.00	3.21	V
Detection voltage level (Low side)	V_{wsl}	(16)	—	0.93	1.00	1.07	V
Output sink current	I_{wsi}	(17)	$V_{ol} = 0.3\text{ V}$	0.30	1.39	—	mA

Electrical Characteristics (2) --- Reference data for application (Note)

(OP-AMP1)

Characteristics	Symbol	Test Circuit	Test Condition	Min	Typ.	Max	Unit
GBW (Cutoff frequency)	fT1	—	—	2.0	3.0	—	MHz
Openloop gain	Gvo1	—	—	80	90	—	dB
Offset voltage	Voff1	—	—	-5	0	5	mV

(OP-AMP2)

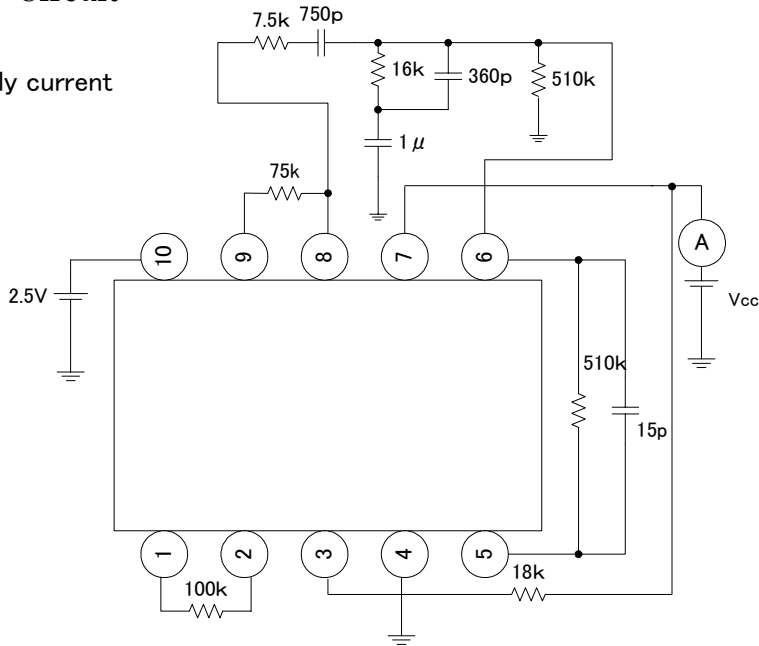
Characteristics	Symbol	Test Circuit	Test Condition	Min	Typ.	Max	Unit
GBW (Cutoff frequency)	fT2	—	—	2.0	3.0	—	MHz
Openloop gain	Gvo2	—	—	85	95	—	dB

(OP-AMP3)

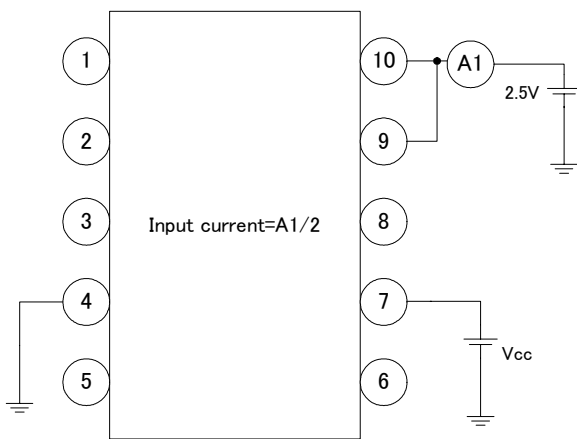
Characteristics	Symbol	Test Circuit	Test Condition	Min	Typ.	Max	Unit
GBW (Cutoff frequency)	fT3	—	—	1.5	2.0	—	MHz
Openloop gain	Gvo3	—	—	85	95	—	dB

■ TEST Circuit

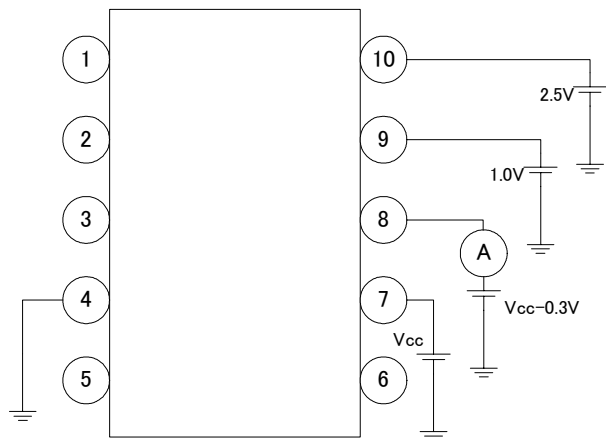
(1) Supply current



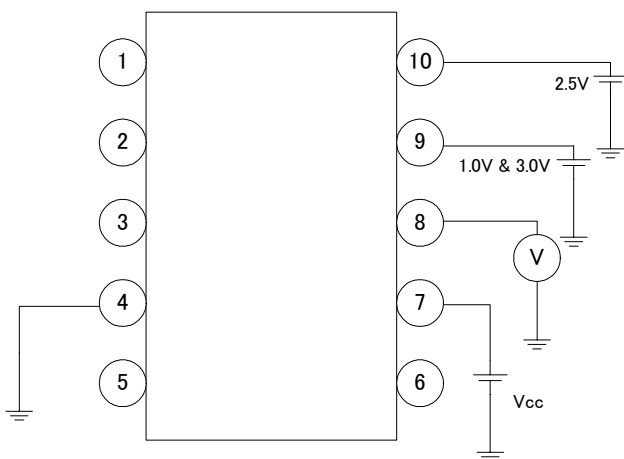
(2) OP-AMP1 Input current



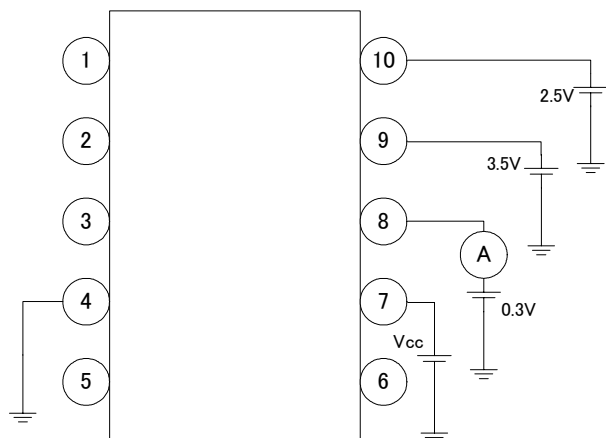
(4) OP-AMP1 Output source current



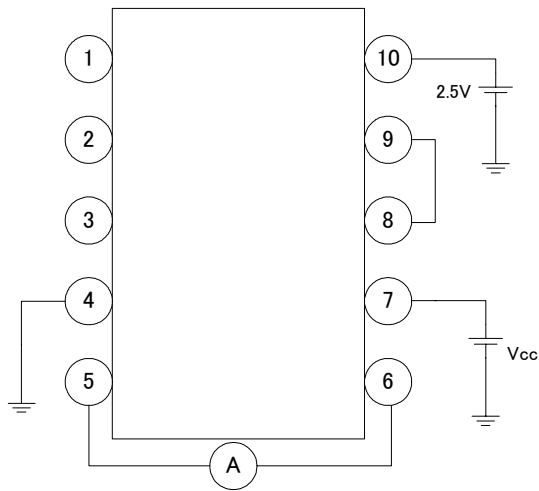
(3) Output dynamic range
(Low side)(High side)



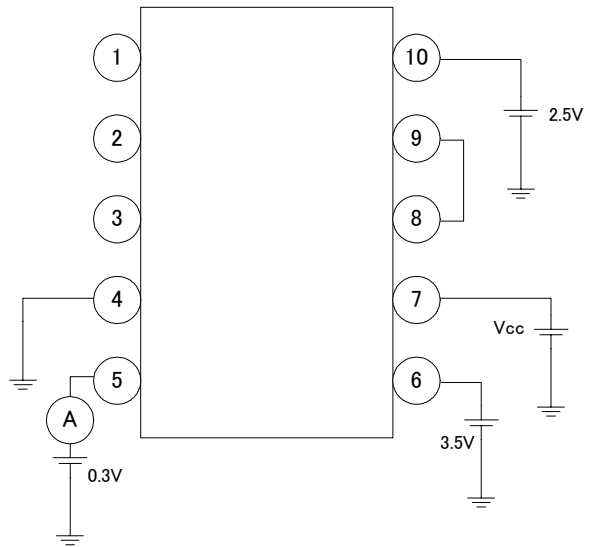
(5) OP-AMP1 Output sink current



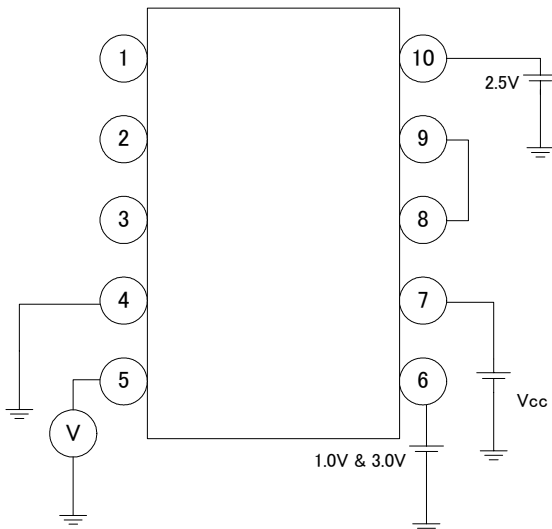
(6) OP-AMP2 Input current



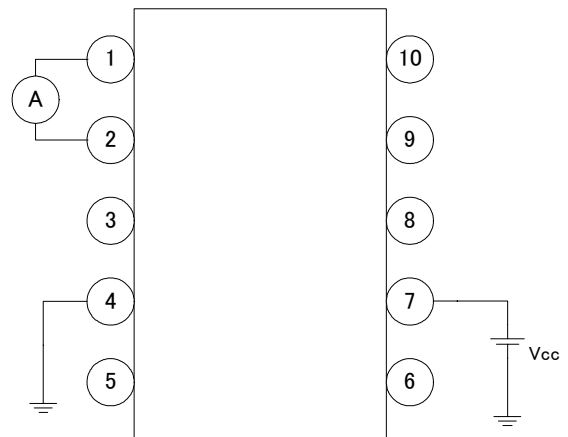
(9) OP-AMP2 Output sink current



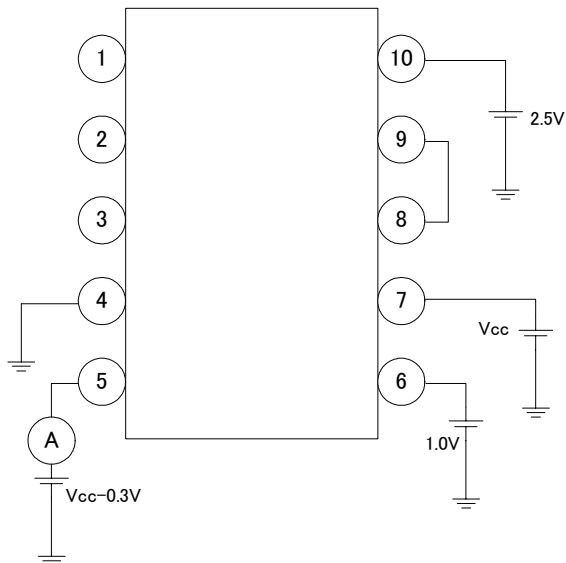
(7) OP-AMP2 Output dynamic range (Low side)(High side)



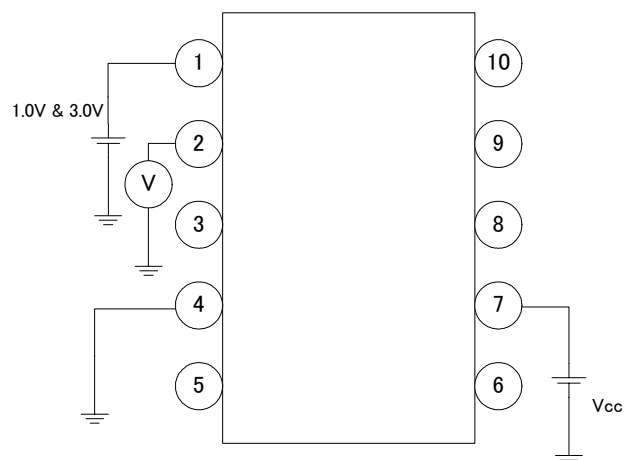
(10) OP-AMP3 Input current



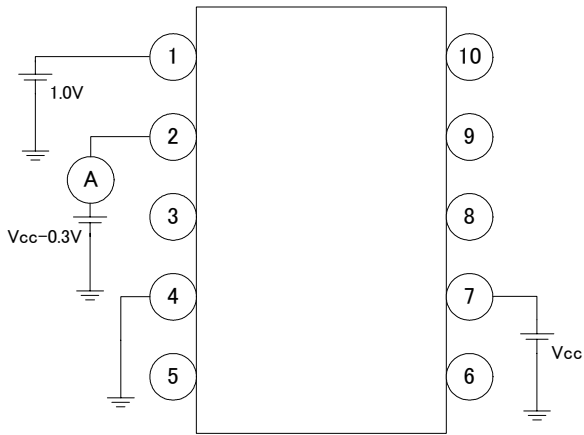
(8) OP-AMP2 Output source current



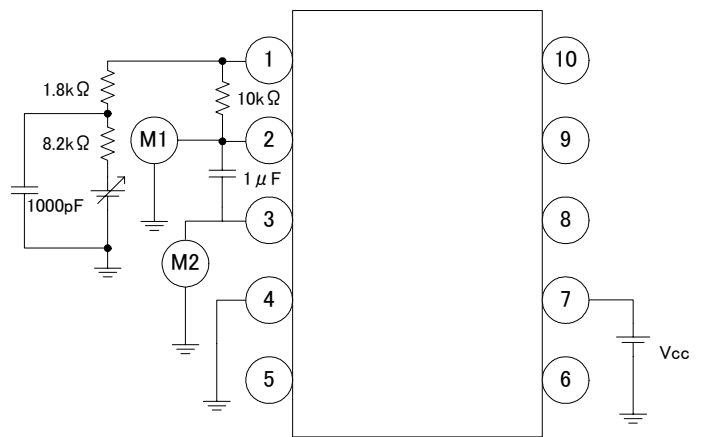
(11) OP-AMP3 Output dynamic range (Low side)(High side)



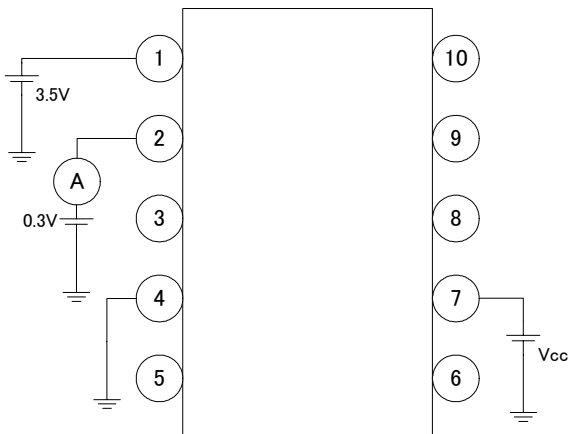
(12) OP-AMP3 Output source current



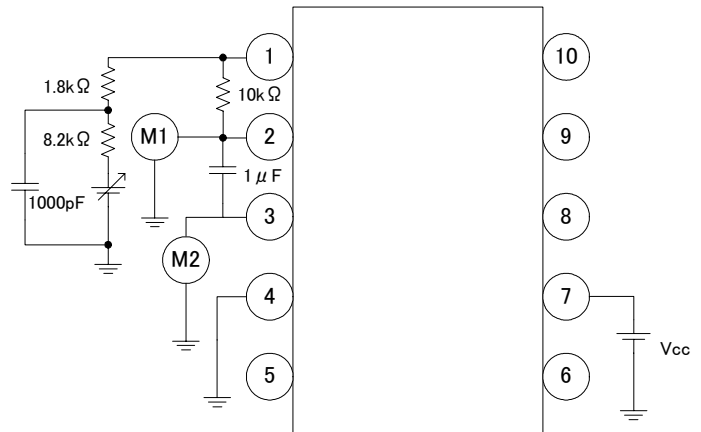
(15) Window-Comparator Hysteresis width



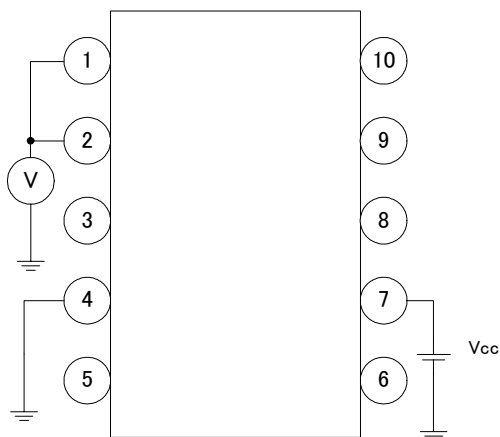
(13) OP-AMP3 Output sink current



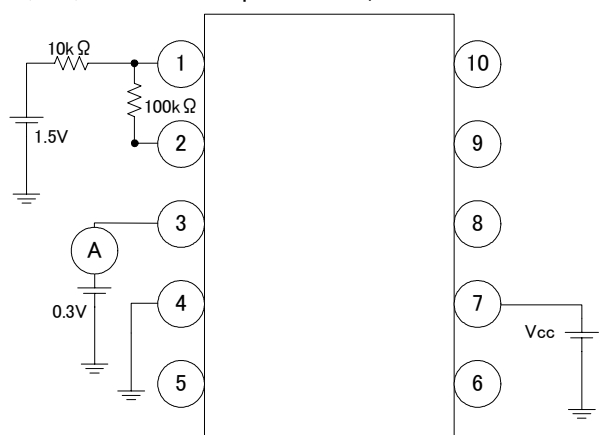
(16) Window-Comparator Detection voltage level (High side)(Low side)



(14) OP-AMP3 Output DC voltage



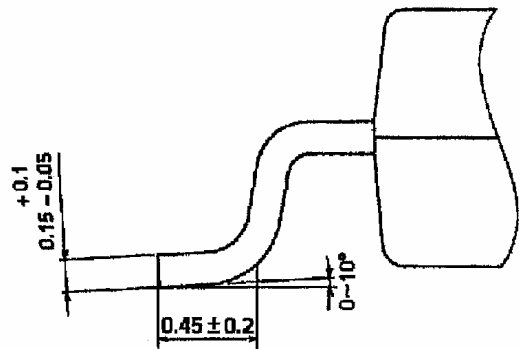
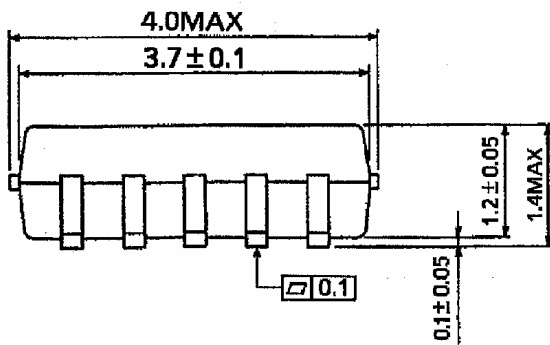
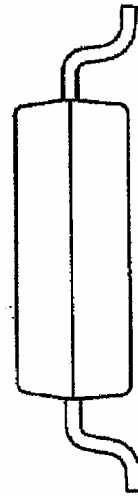
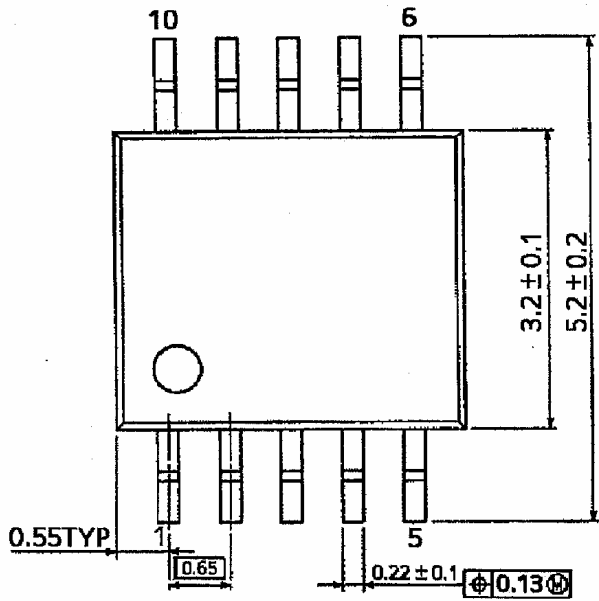
(17) Window-Comparator Output sink current



Package Dimensions

SSOP10-P-0.65A

Unit : mm



Weight: 0.04 g (typ.)

RESTRICTIONS ON PRODUCT USE

030619EAA

- The information contained herein is subject to change without notice.
- The information contained herein is presented only as a guide for the applications of our products. No responsibility is assumed by TOSHIBA for any infringements of patents or other rights of the third parties which may result from its use. No license is granted by implication or otherwise under any patent or patent rights of TOSHIBA or others.
- TOSHIBA is continually working to improve the quality and reliability of its products. Nevertheless, semiconductor devices in general can malfunction or fail due to their inherent electrical sensitivity and vulnerability to physical stress. It is the responsibility of the buyer, when utilizing TOSHIBA products, to comply with the standards of safety in making a safe design for the entire system, and to avoid situations in which a malfunction or failure of such TOSHIBA products could cause loss of human life, bodily injury or damage to property.
In developing your designs, please ensure that TOSHIBA products are used within specified operating ranges as set forth in the most recent TOSHIBA products specifications. Also, please keep in mind the precautions and conditions set forth in the "Handling Guide for Semiconductor Devices," or "TOSHIBA Semiconductor Reliability Handbook" etc..
- The TOSHIBA products listed in this document are intended for usage in general electronics applications (computer, personal equipment, office equipment, measuring equipment, industrial robotics, domestic appliances, etc.). These TOSHIBA products are neither intended nor warranted for usage in equipment that requires extraordinarily high quality and/or reliability or a malfunction or failure of which may cause loss of human life or bodily injury ("Unintended Usage"). Unintended Usage include atomic energy control instruments, airplane or spaceship instruments, transportation instruments, traffic signal instruments, combustion control instruments, medical instruments, all types of safety devices, etc.. Unintended Usage of TOSHIBA products listed in this document shall be made at the customer's own risk.
- TOSHIBA products should not be embedded to the downstream products which are prohibited to be produced and sold, under any law and regulations.