

4

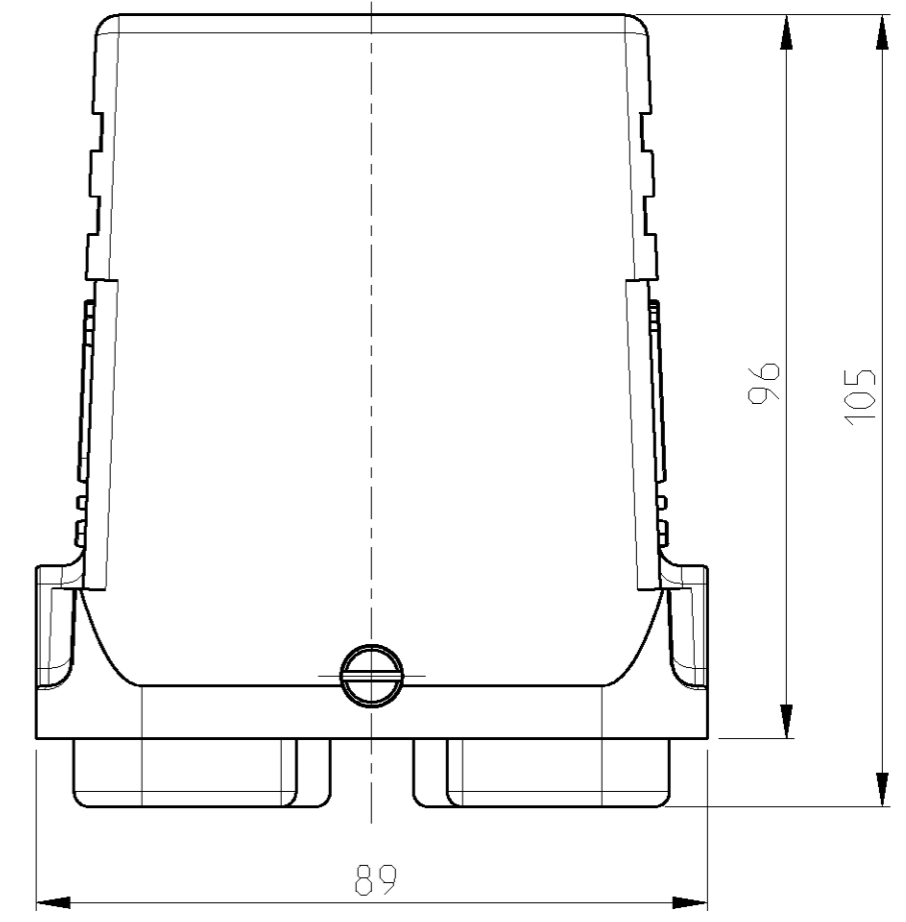
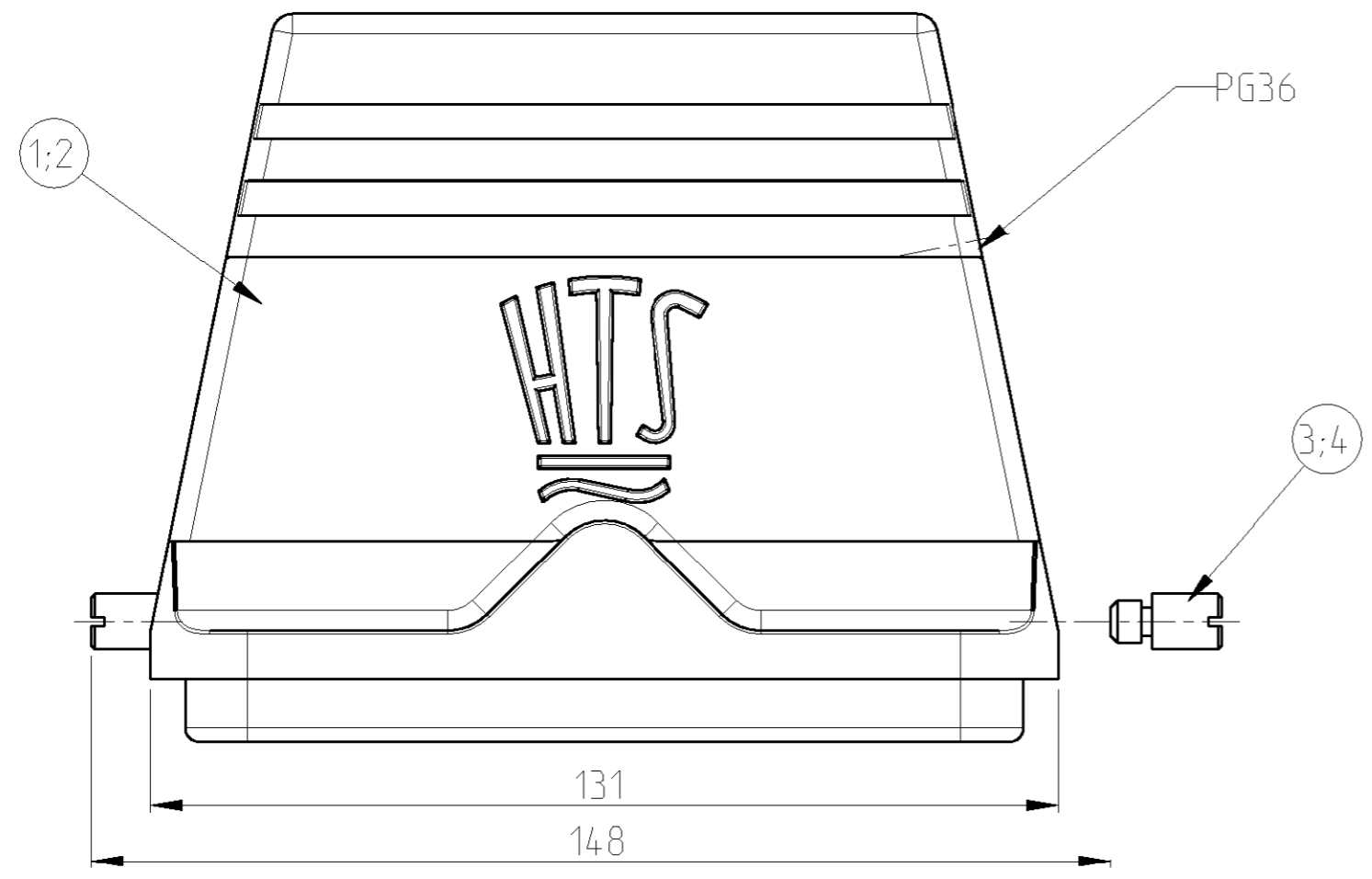
3

2

1

THIS DRAWING IS UNPUBLISHED. RELEASED FOR PUBLICATION 2006
 © COPYRIGHT 2006 BY TYCO ELECTRONICS CORPORATION. ALL RIGHTS RESERVED.

LOC	DIST	REVISIONS				
P	LTR	DESCRIPTION	DATE	DWN	APVD	
A1	-	A2	NEW PRO/E DRAWING ECR-07-019748	16AUG2007	SR	ST



2-7	1-7	DESCRIPTION	MATERIAL	SURFACE	COLOR	ITEM	NOTES
	2	CLIP BOLT	STAINLESS STEEL			4	
	2	CLIP BOLT	STEEL		BLUE	3	
	1	HOOD HB	ALUMINIUM/ALU	ALUMINIUM OXID	BLACK	2	
	1	HOOD HB	ALUMINIUM/ALU		GREY	1	
		HB.48.STS-GR.1.36.G					
		HB-K.48.STS-GR.1.36.G					

- NOTES
- PART SHALL BE FREE AND CLEAN OF BURRS AND OTHER FOREIGN MATERIAL
 - PACKAGING: QUANTITY 3 PIECES
 - VARNISHING INSIDE HOUSING NOT REQUIRED

THIS DRAWING IS A CONTROLLED DOCUMENT FOR TYCO ELECTRONICS CORPORATION. IT IS SUBJECT TO CHANGE AND THE CONTROLLING ENGINEERING ORGANIZATION SHOULD BE CONTACTED FOR THE LATEST REVISION.

DWN	R.SCHNEIDER	16AUG2007	 tyco Electronics AMP GmbH 53819 Neunkirchen (Germany)
CHK	SCHNURPFEIL	17AUG2007	
APVD	-	-	
PRODUCT SPEC			NAME
APPLICATION SPEC			ASSY HB.48.STS-GR.1.36.G
WEIGHT	-	-	SIZE
CUSTOMER DRAWING		SCALE	CAGE CODE
		5:1	00779
		SHEET	DRAWING NO
		1	C=1102376
		OF	RESTRICTED TO
		1	-
		REV	A2