

6

5

4

3


2

1

MATERIAL AND FINISH:

Insulator: Nylon 66, UL-94V-0 Rated
Line & Ground contacts: Brass
Neutral contact: Brass, Nickel plated

ELECTRICAL SPECIFICATIONS:

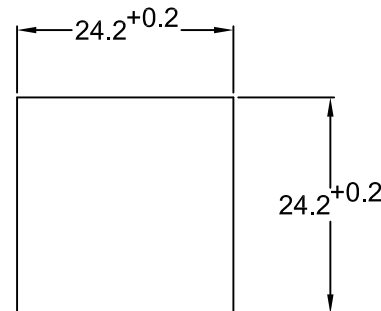
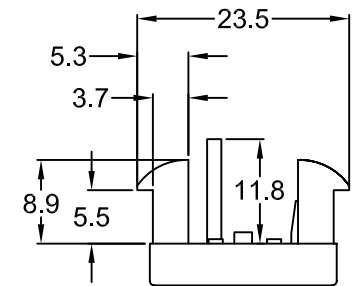
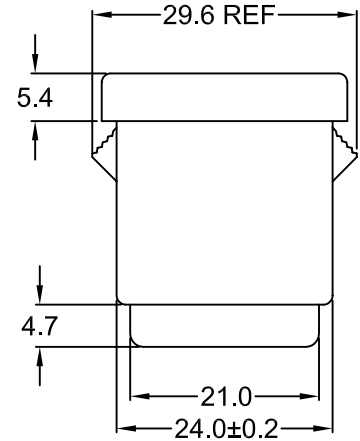
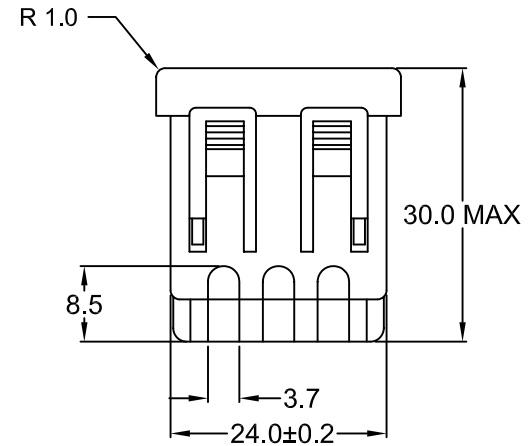
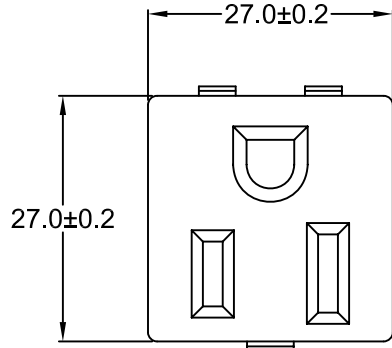
Rated current: 15A 125V 

Insulation resistance: 100 Mohm min. at 500VDC
Dielectric withstanding voltage: 1000VAC for one minute
Contact resistance: 30 milliohms max. at 2.5Vdc at 1A.

MECHANICAL SPECIFICATIONS:

Meets JIS C 8303 section 4.1 retaining force.

NOTE: Part shipped unassembled.



RECOMMENDED PANEL CUTOUT
Panel thickness range: 0.8mm max to 3.0mm max.

D

C

B

A

D

C

B

A

REV	DATE	CHANGE	CHNG	CHK	APPR
A	8/99	CHGD REAR COVER	SS	TD	JJ
B	4/3/00	UPDATED DRAWING	SS	JJ	PB
C	11/9/00	ADDED JIS NOTE	SS	TD	PB
D	10/25/01	ADD DIM 11.8 & REV. DIM	TD	TD	PB
E	2/20/03	ADD TERM. DETAIL	TD	PB	PB
F	11/25/08	UPDATE SPECS	PB	PB	PB
G	3/16/11	BHTZ ADD SOLID WIRE FOR IDC APP.	PB	PB	PB

TOLERANCE UNLESS OTHERWISE SPECIFIED	
X	± 1
X.X	± 0.4
X.XX	± 0.20
DRAWN BY	SS
DATE:	2/16/00
CHECK BY	TD
DATE:	8/23/00
APPR BY	SS
DATE:	8/23/00

Power Dynamics, Inc.
Phone: 973 560-0019 Whippany, New Jersey Fax: 973 560-0076

PART: NEMA 5-15 RECEPTACLE, UNIVERSAL
SNAP IN, 15A 125V; FOR 14 AWG WIRE

PD-15-2

SIZE: A
SCALE: NTS

ALL DIMENSIONS FOR REFERENCE ONLY
DIMENSIONS ARE IN MILLIMETERS

SHEET 1 of 2
REV: G

6

5

4

3

2

1

6

5

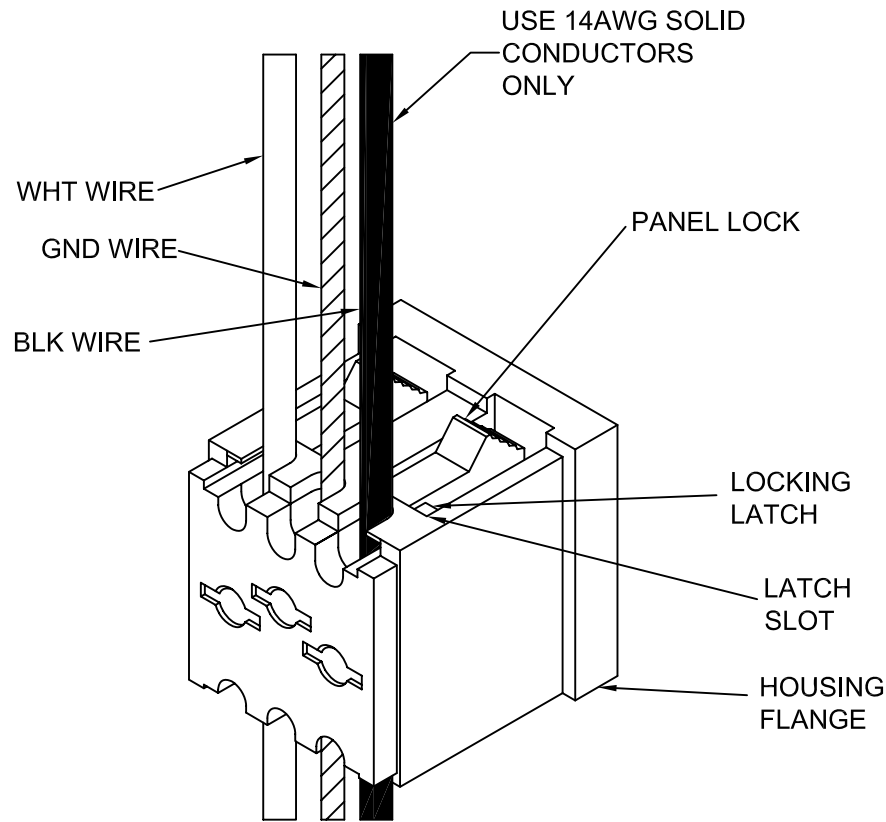
4

3

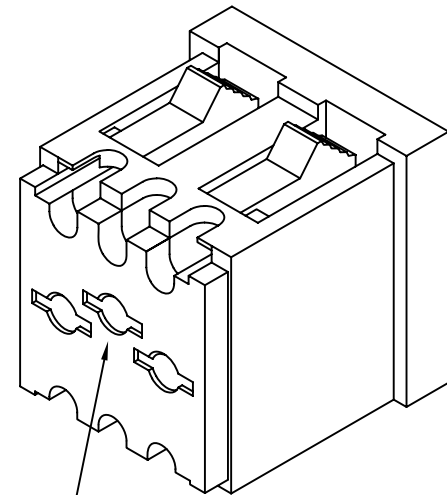
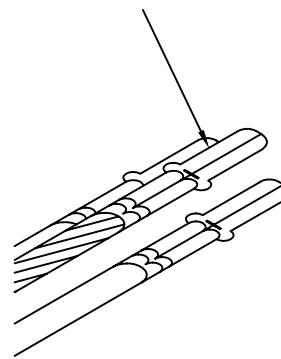
2

1

SINGLE SOCKET FEED THRU APPLICATION



TAB TERMINAL
4.8mm TO 5.2mm
(USING SOLID OR
STRANDED WIRE
14 AWG WIRE)



TAB TERMINAL
SLOT

4.8 TO 5.2 FASTON TAB TERMINAL
APPLICATION

REVISIONS
SEE SHEET 1 FOR LATEST REVISION

TOLERANCE UNLESS OTHERWISE SPECIFIED		
X ± 1		
X.X ± 0.4		
X.XX ± 0.20		
DRAWN BY	SS	DATE: 02/16/99
CHECK BY	TD	DATE: 8/23/99
APPR BY	SS	DATE: 8/23/99

Power Dynamics, Inc.

Phone: 973 560-0019 Whippany, New Jersey Fax: 973 560-0076

PART: NEMA 5-15 RECEPTACLE, UNIVERSAL
SNAP IN, 15A 125V; FOR 14 AWG WIRE

PART #: PD-15-2		SHEET 2 of 2
SIZE: A	ALL DIMENSIONS FOR REFERENCE ONLY DIMENSIONS ARE IN MILLIMETERS	REV: G
SCALE: NTS		

6

5

4

3

2

1