



SANYO Semiconductors

DATA SHEET

An ON Semiconductor Company

LC72725KVS — CMOS IC RDS(RBDS) Demodulation IC

Overview

The LC72725KVS is ICs that implement the signal processing required by the European Broadcasting Union RDS (Radio Data System) standard and by the US NRSC (National Radio System Committee) RBDS (Radio Broadcast Data System) standard. These ICs include band-pass filter, demodulator, and data buffer on chip. RDS data can be read out from this on-chip memory by external clock input in slave operation mode.

Functions

- Bandpass filter : Switched capacitor filter (SCF)
- RDS Demodulation : 57KHz carrier and RDS data clock regeneration, biphase decode, differential decode.
- Buffer : 128 bit (about 100ms) can be restored in the on-chip data buffer.
- Data output : Master or slave output mode can be selected.
- RDS-ID : Detect RDS signal which can be reset by RST signal input.
- Standby control : Crystal oscillator can be stopped.
- Fully adjustment free
- Low Voltage

■ Any and all SANYO Semiconductor Co.,Ltd. products described or contained herein are, with regard to "standard application", intended for the use as general electronics equipment (home appliances, AV equipment, communication device, office equipment, industrial equipment etc.). The products mentioned herein shall not be intended for use for any "special application" (medical equipment whose purpose is to sustain life, aerospace instrument, nuclear control device, burning appliances, transportation machine, traffic signal system, safety equipment etc.) that shall require extremely high level of reliability and can directly threaten human lives in case of failure or malfunction of the product or may cause harm to human bodies, nor shall they grant any guarantee thereof. If you should intend to use our products for applications outside the standard applications of our customer who is considering such use and/or outside the scope of our intended standard applications, please consult with us prior to the intended use. If there is no consultation or inquiry before the intended use, our customer shall be solely responsible for the use.

■ Specifications of any and all SANYO Semiconductor Co.,Ltd. products described or contained herein stipulate the performance, characteristics, and functions of the described products in the independent state, and are not guarantees of the performance, characteristics, and functions of the described products as mounted in the customer's products or equipment. To verify symptoms and states that cannot be evaluated in an independent device, the customer should always evaluate and test devices mounted in the customer's products or equipment.

LC72725KVS

Specifications

Absolute Maximum Ratings at $T_a = 25^\circ\text{C}$, $V_{SSd} = V_{SSa} = 0\text{V}$

Parameter	Symbol	Pin Name	Conditions	Ratings	Unit
Maximum supply voltage	V_{DD} max	V_{DDd} , V_{DDa}	$V_{DDa} \leq V_{DDd} + 0.3\text{V}$	-0.3 to +6.5	V
Maximum input voltage	V_{IN1} max	TEST, MODE, RST		-0.3 to +6.5	V
	V_{IN2} max	XIN, RDCL		-0.3 to $V_{DDd} + 0.3$	V
	V_{IN3} max	MPXIN, CIN		-0.3 to $V_{DDa} + 0.3$	V
Maximum output voltage	V_{O1} max	RDS-ID(READY)		-0.3 to +6.5	V
	V_{O2} max	XOUT, RDDA, RDCL		-0.3 to $V_{DDd} + 0.3$	V
	V_{O3} max	FLOUT		-0.3 to $V_{DDa} + 0.3$	V
Maximum output current	I_{O1} max	XOUT, FLOUT, RDDA, RDCL		+3.0	mA
	I_{O2} max	RDS-ID(READY)		+20.0	mA
Allowable power dissipation	P_d max		($T_a \leq 85^\circ\text{C}$)	100	mW
Operating temperature	T_{opr}		$V_{DD} = 3.0\text{V}$ to 5.5V	-40 to +85	$^\circ\text{C}$
Storage temperature	T_{stg}			-40 to +125	$^\circ\text{C}$

Allowable Operating Ranges at $T_a = -40$ to $+85^\circ\text{C}$, $V_{SSd} = V_{SSa} = 0\text{V}$, $V_{DDd} = V_{DDa} = 3.0\text{V}$ to 5.5V

Parameter	Symbol	Pin Name	Conditions	Ratings			unit
				min	typ	max	
Supply voltage	V_{DD}	V_{DDd} , V_{DDa}	$T_a = -40$ to $+85^\circ\text{C}$	3.0		5.5	V
Input high-level voltage	V_{IH1}	TEST, MODE, RST		$0.7V_{DDd}$		6.5	V
	V_{IH2}	RDCL		$0.7V_{DDd}$		V_{DDd}	V
Input low-level voltage	V_{IL}	TEST, MODE, RST, RDCL		0		$0.3V_{DDd}$	V
Output voltage	V_{O1}	RDDA, RDCL				V_{DDd}	V
	V_{O2}	RDS-ID(READY)				6.5	V
Input amplitude	V_{IN}	MPXIN	$f = 57 \pm 2\text{kHz}$	1.6		50	mVrms
	V_{XIN}	XIN		400		1500	mVrms
Guaranteed crystal oscillator frequencies	Xtal	XIN, XOUT	$C_i \leq 120\Omega$		4.332		MHz
Crystal oscillator operating range	TXtal	XIN, XOUT	$F_o = 4.332\text{MHz}$			± 100	ppm
RDCL setup time	tCS	RDCL, RDDA		0			μs
RDCL high-level time	tCH	RDCL		0.75			μs
RDCL low-level time	tCL	RDCL		0.75			μs
Data output time	tDC	RDCL, RDDA				0.75	μs
READY output time	tRC	RDCL, READY				0.75	μs
READY low-level time	tRL	READY				107	ms

LC72725KVS

Electrical Characteristics at $T_a = -40$ to $+85^\circ\text{C}$, $V_{SSd} = V_{SSa} = 0\text{V}$, $V_{DDd} = V_{DDa} = 3.0\text{V}$ to 5.5V

Parameter	Symbol	Pin Name	Conditions	Ratings			unit
				min	typ	max	
Internal feedback resistance	Rf	XIN			1.0		M Ω
Hysteresis	VHIS	TEST, MODE, RST, RDCL			0.1V _{DDd}		V
Output low-level voltage	V _{OL1}	RDDA, RDCL	I = 2mA			0.4	V
	V _{OL2}	RDS-ID(READY)	I = 8mA			0.4	V
Output high-level voltage	V _{OH}	RDDA, RDCL	I = -2mA	V _{DDd} -0.54			V
Input high-level current	I _{IH1}	TEST, MODE, RST, RDCL	V _I = 6.5V			5.0	μA
	I _{IH2}	XIN	V _I = V _{DDd}	2.0		11	μA
Input low-level current	I _{IL1}	TEST, MODE, RST, RDCL	V _I = 0V			5.0	μA
	I _{IL2}	XIN	V _I = 0V	2.0		11	μA
Output off leakage current	IOFF	RDS-ID(READY)	V _O = 6.5V			5.0	μA
Current drain	I _{DD}	V _{DDd} +V _{DDa}	V _{DDd} +V _{DDa} (V _{DDd} = V _{DDa} = 3.3V)	1.5	2.5	3.5	mA

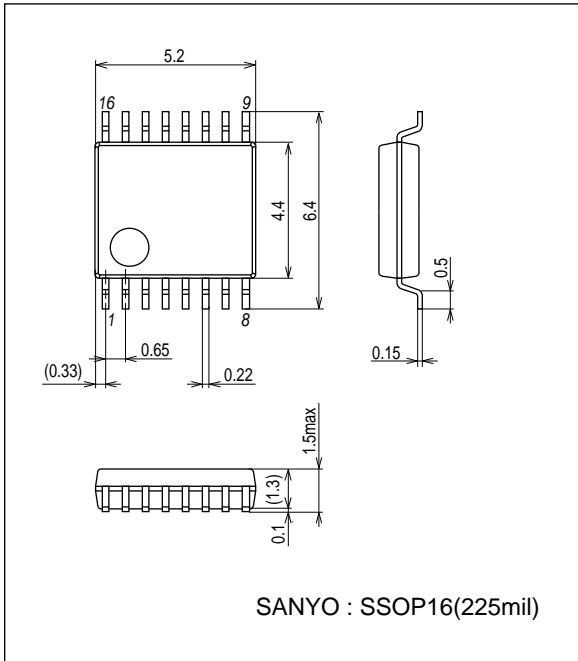
Bandpass Filter Characteristics at $T_a = 25^\circ\text{C}$, $V_{SSd} = V_{SSa} = 0\text{V}$, $V_{DDd} = V_{DDa} = 3.0\text{V}$ to 5.5V

Parameter	Symbol	Pin Name	Conditions	Ratings			unit
				min	typ	max	
Input resistance	R _{mpxin}	MPXIN-V _{SSa}	f = 57kHz		100		k Ω
	R _{cin}	CIN-V _{SSa}	f = 57kHz		100		k Ω
Center frequency	f _c	FLOUT		56.5	57.0	57.5	kHz
-3dB band width	BW-3dB	FLOUT		2.5	3.0	3.5	kHz
Gain	Gain	MPXIN-FLOUT	f = 57kHz	28	31	34	dB
Stop band attenuation	Att1	FLOUT	$\Delta f = \pm 7\text{kHz}$	30			dB
	Att2	FLOUT	f < 45kHz, f > 70kHz	40			dB
	Att3	FLOUT	f < 20kHz	50			dB
Reference voltage output	V _{ref}	V _{ref}	V _{DDa} = 3V		1.5		V

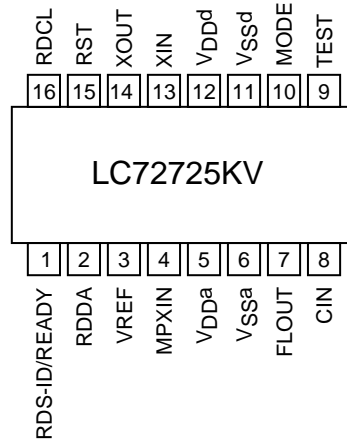
LC72725KVS

Package Dimensions

unit : mm (typ)
3178B

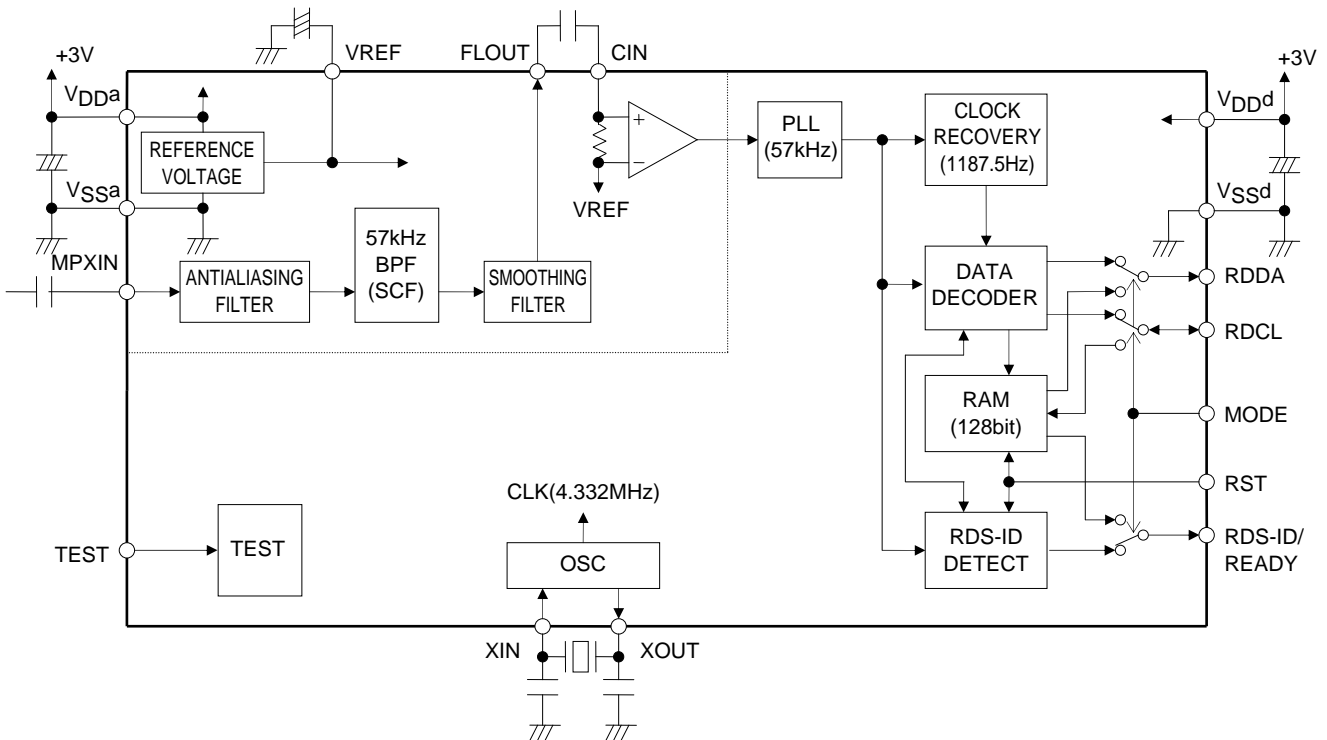


Pin Assignment



Top view

Block Diagram



LC72725KVS

Pin Descriptions

Pin No.	Pin Name	I/O	Function	Pin Circuit
3	VREF	Output	Reference voltage output ($V_{DDa}/2$)	
4	MPXIN	Input	Baseband (multiplexed) signal input	
7	FLOUT	Output	Subcarrier output (filter output)	
8	CIN	Input	Subcarrier input (comparator input)	
5	V_{DDa}	-	Analog system power supply (+3V)	-
6	V_{SSa}	-	Analog system ground	-
14	XOUT	Output	Crystal oscillator output (4.332MHz)	
13	XIN	Input	Crystal oscillator input (external reference signal input)	
9	TEST		Test input	
10	MODE		Read out mode (0:master, 1:slave)	
15	RST		RDS-ID/RAM reset (active high)	
2	RDDA	Output	RDS data output	
16	RDCL	I/O	RDS clock output (master mode) / RDS read out clock input (slave mode)	
1	RDS-ID/ READY	Output	RDS reliability data output (High: data with high RDS reliability Low: data with low RDS reliability) READY output (active high)	
12	V_{DDd}	-	Digital system power supply (+3V)	-
11	V_{SSd}	-	Digital system ground	-

LC72725KVS

Input/Output Data Format

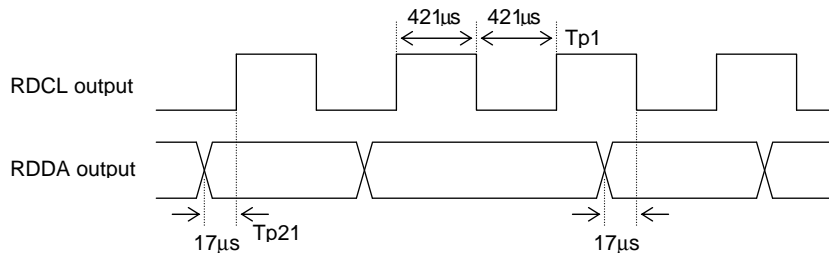
TEST	MODE	Circuit Operation Mode	RDCL Pin	RDS-ID/READY Pin
0	0	Master read out mode	Clock output	RDS-ID output
0	1	Slave read out mode	Clock input	READY output
1	0	Standby mode (crystal oscillator stopped)	-	-
1	1	IC test mode which is not available to user applications.	-	-

RST Pin	
RST = 0	Normal operation
RST = 1	RDS-ID • demodulation circuit clear + READY • memory clear (when slave mode)

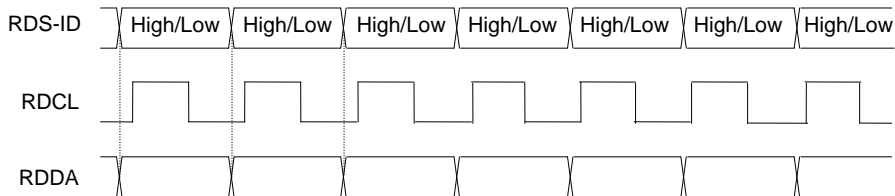
RDS-ID/READY Pin	
Master mode	RDS-ID output (Active-high)
Slave mode	READY output (Active-high)

Note: RDS-ID(READY) pin is an n-channel open-drain output, and requires an external pull-up resistor to output data.

RDCL/RDDA Output Timing in Master Mode

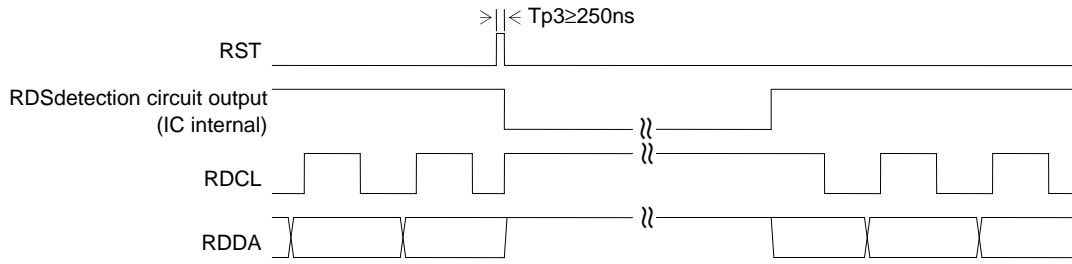


RDS-ID Output Timing



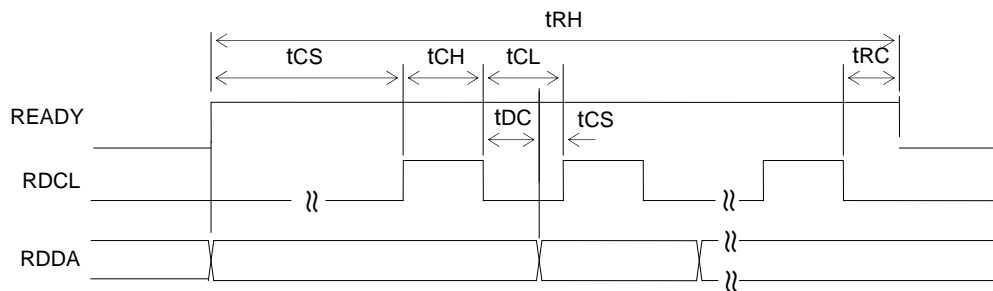
Note: RDS-ID is High: data with high RDS reliability, Low: data with low RDS reliability

RST Operation in Master Mode



Note: RDCL and RDDA outputs keep high level after input of RST until RDS detection circuit output is detected.

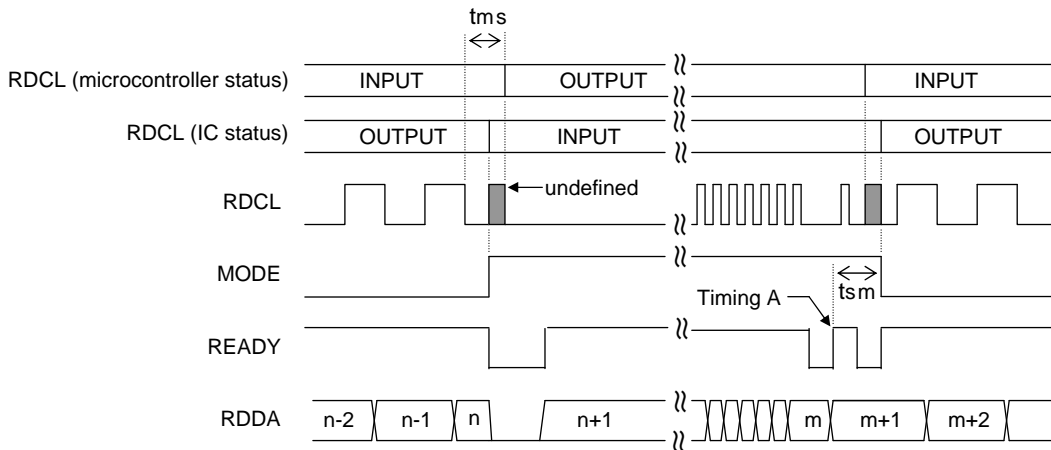
RDCL Operation in Slave Mode



Parameter	Symbol	Pin Name	Conditions	Ratings			unit
				min	typ	max	
RDCL setup time	tCS	RDCL,RDDA		0			μs
RDCL high-level time	tCH	RDCL		0.75			μs
RDCL low-level time	tCL	RDCL		0.75			μs
Data output time	tDC	RDCL,RDDA				0.75	μs
READY output time	tRC	RDCL,READY				0.75	μs
READY high-level time	tRH	READY				107	ms

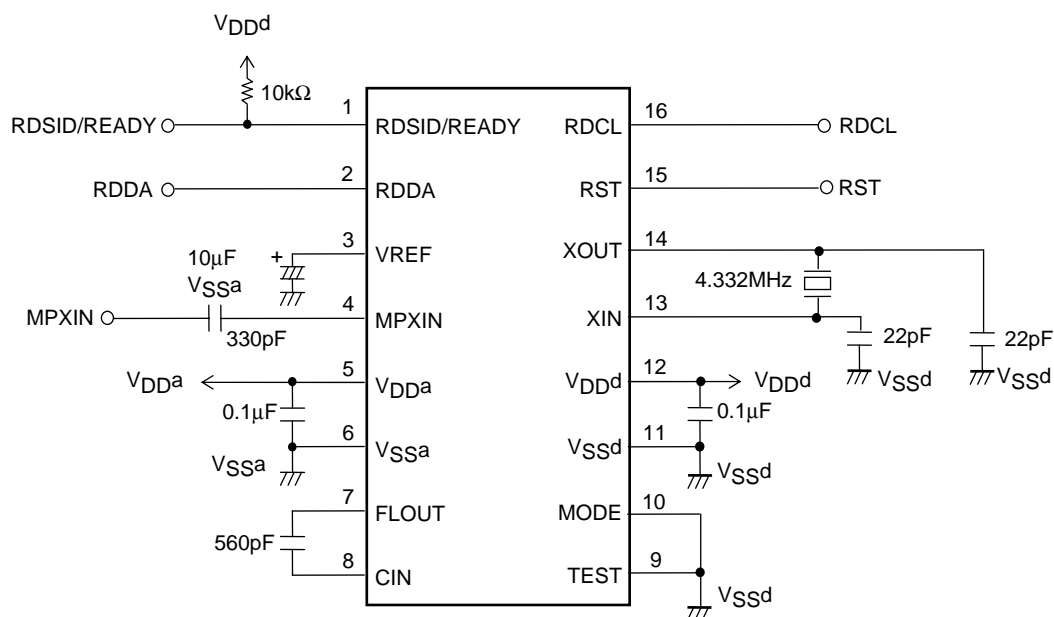
LC72725KVS

- Notes: 1. RDCL input must be started after READY signal goes high. When READY signal is low, RDCL must be low level.
2. READY status must be checked after t_{RC} time from RDCL is set low. If the READY status is high, then next read cycle can be continued. If the READY status is low, next RDCL clock input must be stopped.
3. If the above condition is satisfied, RDS data (RDDA) can be read out at both rising and falling edge of RDCL.
4. READY signal goes low after the last data is read out from on-chip memory. If one RDS data is stored in the memory, READY signal goes high again.
5. When the reception channel is changed, a memory and READY reset must be applied using RST input. If a reset is not applied, reception data from the previous channel may remain in memory. If RST input is applied, reception data is not stored in memory until the first RDS-ID is detected, and READY output goes high after the first RDS-ID is detected. After the first RDS-ID is detected, reception data is stored even if RDS-ID is not detected.
6. The readout mode may be switched between master and slave modes during readout.
Applications must observe the following points to assure data continuity during this operation.
- 1) Data acquisition timing in master made
Data must be read on the falling edge of RDCL
 - 2) Timing of the switch from master mode to slave mode
After the RDCL output goes low and the RDDA data has been acquired, the application must set MODE high immediately.
Then, the microcontroller starts output by setting the RDCL signal low.
The microcontroller RDCL output must start within 840μs (t_{ms}) after RDCL went low.
In this case, if the last data read in master mode was data item n, then data starting with item n+1 will be written to memory.
 - 3) Timing of the switch from slave mode to master mode
After all data has been read from memory and READY has gone high, the application must then wait until READY goes low once again the next time (timing A in the figure), immediately read out one bit of data and input the RDCL clock.
Then, at the point READY goes high, the microcontroller must terminate RDCL output and then set MODE low.
The application must switch MODE to low within 840μs (t_{ms}) after READY goes low (timing A in the figure).



LC72725KVS

Sample Application Connection Circuit (for master mode operation)



Note: If the RST pin is unused, it must be connected to ground.

- SANYO Semiconductor Co.,Ltd. assumes no responsibility for equipment failures that result from using products at values that exceed, even momentarily, rated values (such as maximum ratings, operating condition ranges, or other parameters) listed in products specifications of any and all SANYO Semiconductor Co.,Ltd. products described or contained herein.
- SANYO Semiconductor Co.,Ltd. strives to supply high-quality high-reliability products, however, any and all semiconductor products fail or malfunction with some probability. It is possible that these probabilistic failures or malfunction could give rise to accidents or events that could endanger human lives, trouble that could give rise to smoke or fire, or accidents that could cause damage to other property. When designing equipment, adopt safety measures so that these kinds of accidents or events cannot occur. Such measures include but are not limited to protective circuits and error prevention circuits for safe design, redundant design, and structural design.
- In the event that any or all SANYO Semiconductor Co.,Ltd. products described or contained herein are controlled under any of applicable local export control laws and regulations, such products may require the export license from the authorities concerned in accordance with the above law.
- No part of this publication may be reproduced or transmitted in any form or by any means, electronic or mechanical, including photocopying and recording, or any information storage or retrieval system, or otherwise, without the prior written consent of SANYO Semiconductor Co.,Ltd.
- Any and all information described or contained herein are subject to change without notice due to product/technology improvement, etc. When designing equipment, refer to the "Delivery Specification" for the SANYO Semiconductor Co.,Ltd. product that you intend to use.
- Information (including circuit diagrams and circuit parameters) herein is for example only; it is not guaranteed for volume production.
- Upon using the technical information or products described herein, neither warranty nor license shall be granted with regard to intellectual property rights or any other rights of SANYO Semiconductor Co.,Ltd. or any third party. SANYO Semiconductor Co.,Ltd. shall not be liable for any claim or suits with regard to a third party's intellectual property rights which has resulted from the use of the technical information and products mentioned above.

This catalog provides information as of June, 2010. Specifications and information herein are subject to change without notice.