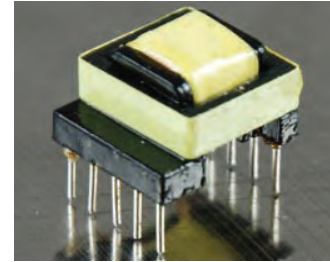




- EE16 Core Design
- 10 Pin Through Hole

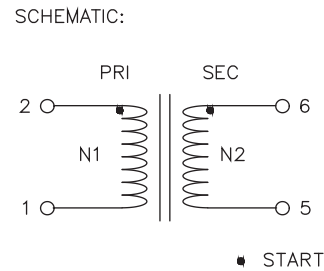
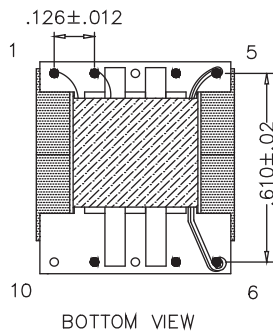
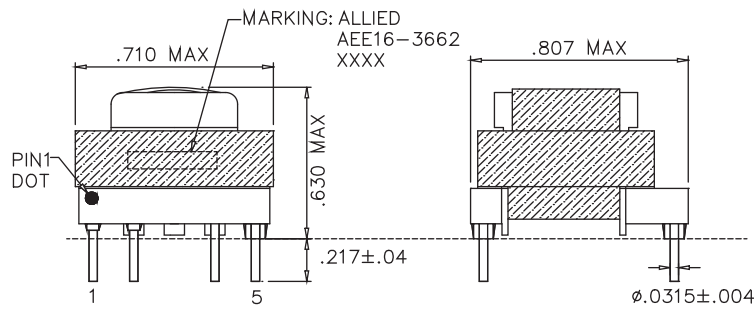


Electrical Specifications @ 25°C

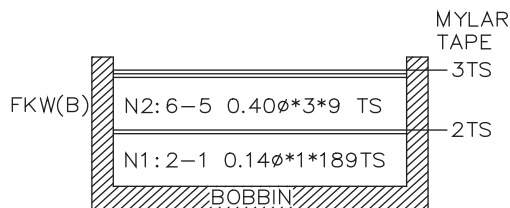
INDUCTANCE @1KHZ/1V (HP-4284A)	LEAKAGE INDUCTANCE @100KHZ/1V (HP-4284A)	DCR CH-502A (MAX)	HI-POT TEST	INSULATION TEST
2 - 1: 0.991mH ±10%	2 - 1: 150uH MAX (SHORT 6-5)	2 - 1: 8.50 OHM	PRI TO SEC: AC 3000V 3mA FOR 1 SEC	PRI TO SEC & CORE:
		6 - 5: 24.9 OHM	PRI TO SEC: AC 1200V 3mA FOR 1 SEC	100 MOHM MIN BY DC 500V

All specifications subject to change without notice.

MECHANICAL



WINDING:



NOTE:  
 1. PIN 1 DOT.  
 2. CORE FIX TAPE 2TS.  
 3. PIN 3,8,9,10 CUT OFF.

SCHMATIC:

