

PLEASE CHECK WWW.MOLEX.COM FOR LATEST PART INFORMATION

Part Number: [0536470274](#)
Status: **Active**
Overview: [slimstack_0635mm_025_pitch](#)
Description: 0.635mm (.025") Pitch SlimStack™ Header, Surface Mount, Dual Row, Vertical Stacking, 8.00 and 14.00mm (.315 and .551") Stacking Heights, Lead-free, 20 Circuits, with Embossed Tape with Cover Packaging

Documents:

[3D Model](#) [Product Specification PS-52760-015 \(PDF\)](#)
[Drawing \(PDF\)](#) [RoHS Certificate of Compliance \(PDF\)](#)

General

| | |
|----------------|--|
| Product Family | PCB Headers |
| Series | 53647 |
| Application | Board-to-Board |
| Comments | Stacking-Type |
| MolexKits | Yes |
| Overview | slimstack_0635mm_025_pitch |
| Product Name | SlimStack™ |

Physical

| | |
|--------------------------------|---|
| Breakaway | No |
| Circuits (Loaded) | 20 |
| Color - Resin | Brown |
| Durability (mating cycles max) | 50 |
| First Mate / Last Break | No |
| Glow-Wire Compliant | No |
| Guide to Mating Part | No |
| Keying to Mating Part | None |
| Lock to Mating Part | Yes |
| Mated Height (in) | 0.315 In, 0.551 In |
| Mated Height (mm) | 14.00 mm, 8.00 mm |
| Material - Metal | Brass, Phosphor Bronze, Stainless Steel |
| Material - Plating Mating | Gold |
| Material - Plating Termination | Tin |
| Number of Rows | 2 |
| Orientation | Vertical |
| PCB Locator | Yes |
| PCB Retention | Yes |
| Packaging Type | Embossed Tape on Reel |
| Pitch - Mating Interface (in) | 0.025 In |
| Pitch - Mating Interface (mm) | 0.64 mm |
| Polarized to PCB | Yes |
| Robotic Placement | Metal Cap |
| Stackable | No |
| Temperature Range - Operating | -55°C to +85°C |
| Termination Interface: Style | Surface Mount |

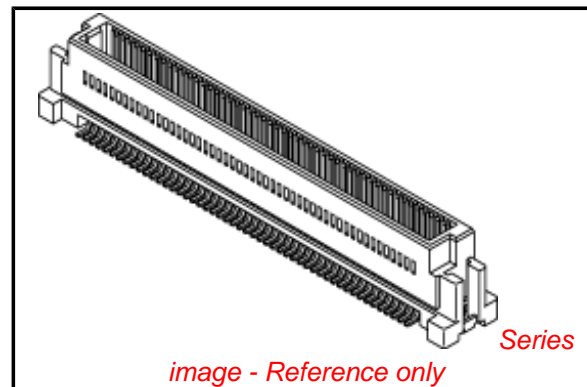
Electrical

| | |
|-------------------------------|------|
| Current - Maximum per Contact | 0.5A |
| Voltage - Maximum | 100V |

Material Info

Reference - Drawing Numbers

| | |
|-------------------------|---------------|
| Packaging Specification | SPK-53647-001 |
|-------------------------|---------------|



EU RoHS

ELV and RoHS Compliant
REACH SVHC
 Not Reviewed
Halogen-Free Status
 Not Reviewed

China RoHS



Need more information on product environmental compliance?

Email productcompliance@molex.com
 For a multiple part number RoHS Certificate of Compliance, [click here](#)

Please visit the [Contact Us](#) section for any non-product compliance questions.

Search Parts in this Series

[53647Series](#)

Mates With

SlimStack™ Receptacle [52760](#) , [52837](#) , [52885](#) , [52901](#)

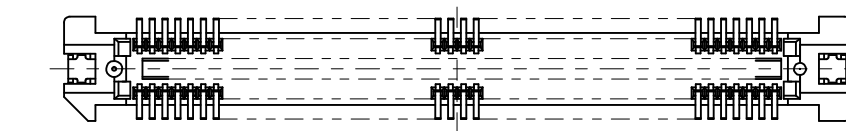
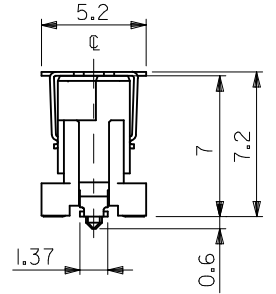
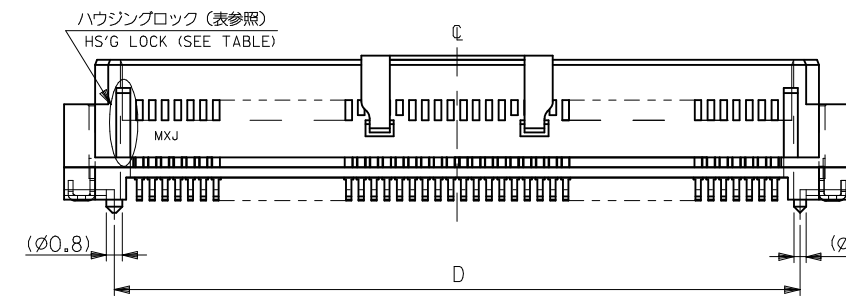
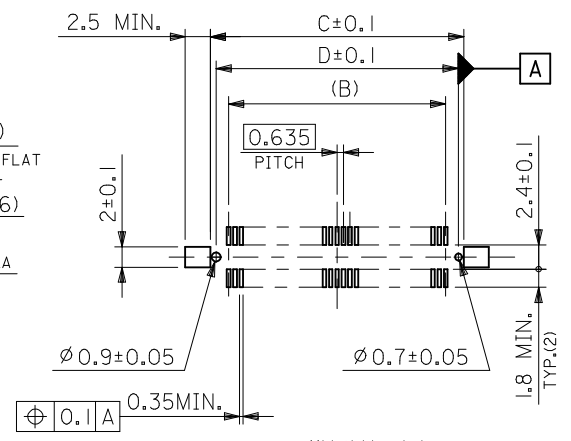
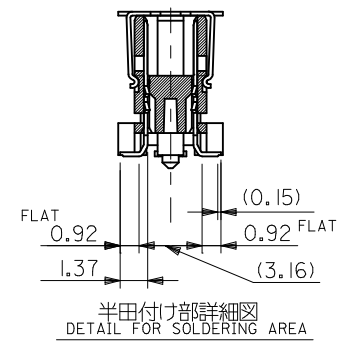
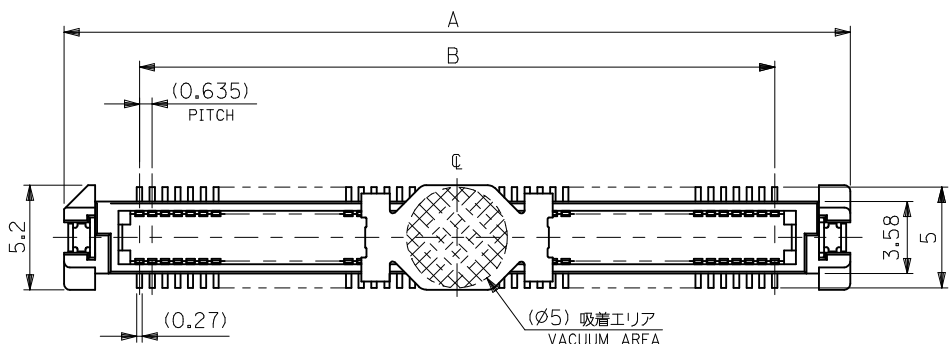
Product Specification

Sales Drawing

PS-52760-015, RPS-52760-017, RPS-52760-018,
RPS-52760-020, RPS-52760-021, RPS-52760-029
SD-53647-002, SD-53647-003

This document was generated on 06/07/2010

PLEASE CHECK WWW.MOLEX.COM FOR LATEST PART INFORMATION



注) NOTES

1. 材質 MATERIAL
 ハウジング: ガラス入りPPS、茶色、UL 94V-0
 HOUSING: G.F.PPS, BROWN, UL 94V-0
 ターミナル: 銅合金 (t=0.2)
 TERMINAL: COPPER ALLOY
 吸着カバー: ステンレス (t=0.2)
 VACUUM COVER: STAINLESS STEEL
2. メッキ仕様 PLATING
 接点部: 金メッキ 0.25µm MIN.
 CONTACT AREA: GOLD 0.25 MICROMETER MIN.
 半田付け部: 錫メッキ 1.0µm MIN.
 SOLDER TAIL AREA: TIN 1.0 MICROMETER MIN.
 下地メッキ: ニッケルメッキ 1.5µm MIN.
 UNDER-PLATING: NICKEL 1.5 MICROMETER MIN.
3. テールのバラッキ寸法 TAIL COPLANARITY
 テール平坦度は、0.1 MAX. とする。
 TAILS COPLANARITY TO BE 0.1 MAX.
4. 本製品は 53647-***2 の鉛フリー品である。
 THIS PRODUCT IS LEAD FREE OF 53647-***2.

| | |
|-------------------|--------------------|
| 材料 MATERIAL | 注) 参照 SEE NOTES |
| 仕上げ FINISH | 注) 参照 SEE NOTES |
| 適用電線範囲 WIRE RANGE | — # — |
| 被覆外径 INS. RANGE | — # — |

| | |
|----------------|-------------------|
| REVISED | EC NO: J2009-1336 |
| DRW: WYOSHIDAM | 2008/12/19 |
| CHKD: HARUYAMA | 2008/12/19 |
| APPR: NUKITA | 2009/01/16 |

| | |
|--|-------|
| GENERAL TOLERANCES (UNLESS SPECIFIED) | |
| 10 UNDER | ±0.2 |
| 10 OVER 30 UNDER | ±0.25 |
| 30 OVER | ±0.3 |
| ANGULAR ±3° | |
| DRAFT WHERE APPLICABLE MUST REMAIN WITHIN DIMENSIONS | |

| | | | | | | | | |
|--------------------|-------|-------|--------|-------|---------------------------|-------------------------|-------------------|-------------|
| 無し NO | 52.67 | 53.77 | 50.165 | 57.67 | 53647-1674 | 53647-1675 | 53647-1609 | 160 |
| | 46.32 | 47.42 | 43.815 | 51.32 | 53647-1474 | 53647-1475 | 53647-1409 | 140 |
| | 39.97 | 41.07 | 37.465 | 44.97 | 53647-1274 | 53647-1275 | 53647-1209 | 120 |
| | 33.62 | 34.72 | 31.115 | 38.62 | 53647-1074 | 53647-1075 | 53647-1009 | 100 |
| 有り YES | 27.27 | 28.37 | 24.765 | 32.27 | 53647-0874 | 53647-0875 | 53647-0809 | 80 |
| | 20.92 | 22.02 | 18.415 | 25.92 | 53647-0674 | 53647-0675 | 53647-0609 | 60 |
| | 14.57 | 15.67 | 12.065 | 19.57 | 53647-0474 | 53647-0475 | 53647-0409 | 40 |
| | 11.4 | 12.5 | 8.89 | 16.4 | 53647-0374 | 53647-0375 | 53647-0309 | 30 |
| | 8.22 | 9.32 | 5.715 | 13.22 | 53647-0274 | 53647-0275 | 53647-0209 | 20 |
| ハウジングロック HS'G LOCK | D | C | B | A | エンボス梱包 EMBOSSED PACKAGING | スティック梱包 STICK PACKAGING | 製品番号 MATERIAL NO. | 極数 CKT. NO. |

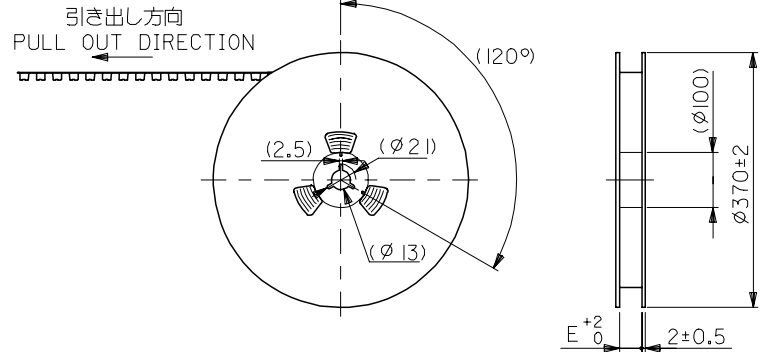
DIMENSION STYLE: MM ONLY
 SCALE: ---
 DESIGN UNITS: METRIC
 THIRD ANGLE PROJECTION

DRAWN BY: Y. WADA DATE: '04/02/27
 CHECKED BY: M. SASAO DATE: '04/02/27
 APPROVED BY: M. SASAO DATE: '04/02/27

TITLE: 0.635 PITCH B-TO-B PLUG HS'G COVER ASS'Y -LEAD FREE-

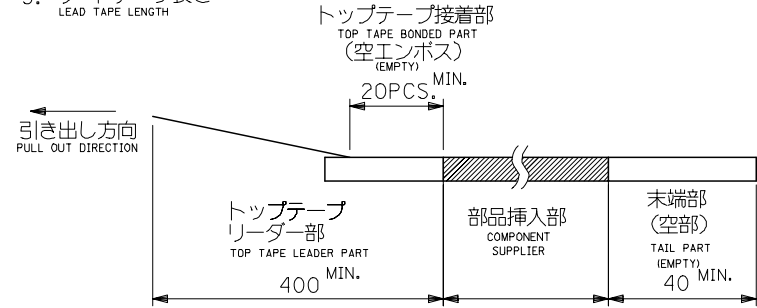
MATERIAL NO. SEE CHART DOCUMENT NO. SD-53647-002 SHEET NO. 1 OF 1

THIS DRAWING CONTAINS INFORMATION THAT IS PROPRIETARY TO MOLEX INCORPORATED AND SHOULD NOT BE USED WITHOUT WRITTEN PERMISSION

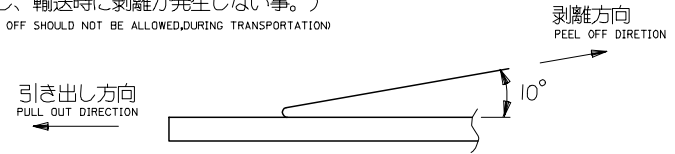


注)
NOTES

- 製品番号 53647-***9の詳細寸法については、SD-53647-002を参照下さい。
IN THE PACKAGE, PART NO. 53647-***9 DETAILED DIMENSIONS, SEE SD-53647-002
- 梱包数量 : 840個/リール
NUMBER OF CONNECTORS : 840 PCS/REEL
- リードテープ長さ
LEAD TAPE LENGTH



- トップテープの剥離強度 (剥離方向は下図参照)
PEELING OFF FORCE OF TOP TAPE (PEELING DIRECTION AS SHOWN IN FOLLOWING FIG.)
0.1~1.3N {10~130gf}
尚、本規格値は、出荷時に適用。
THIS REQUIREMENT SHOULD BE APPLIED AT SHIPMENT
(但し、輸送時に剥離が発生しない事。)
(PEEL OFF SHOULD NOT BE ALLOWED, DURING TRANSPORTATION)

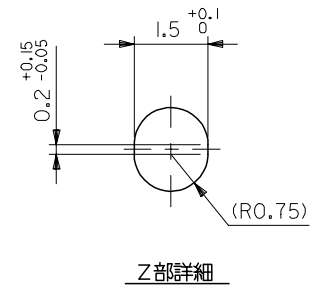
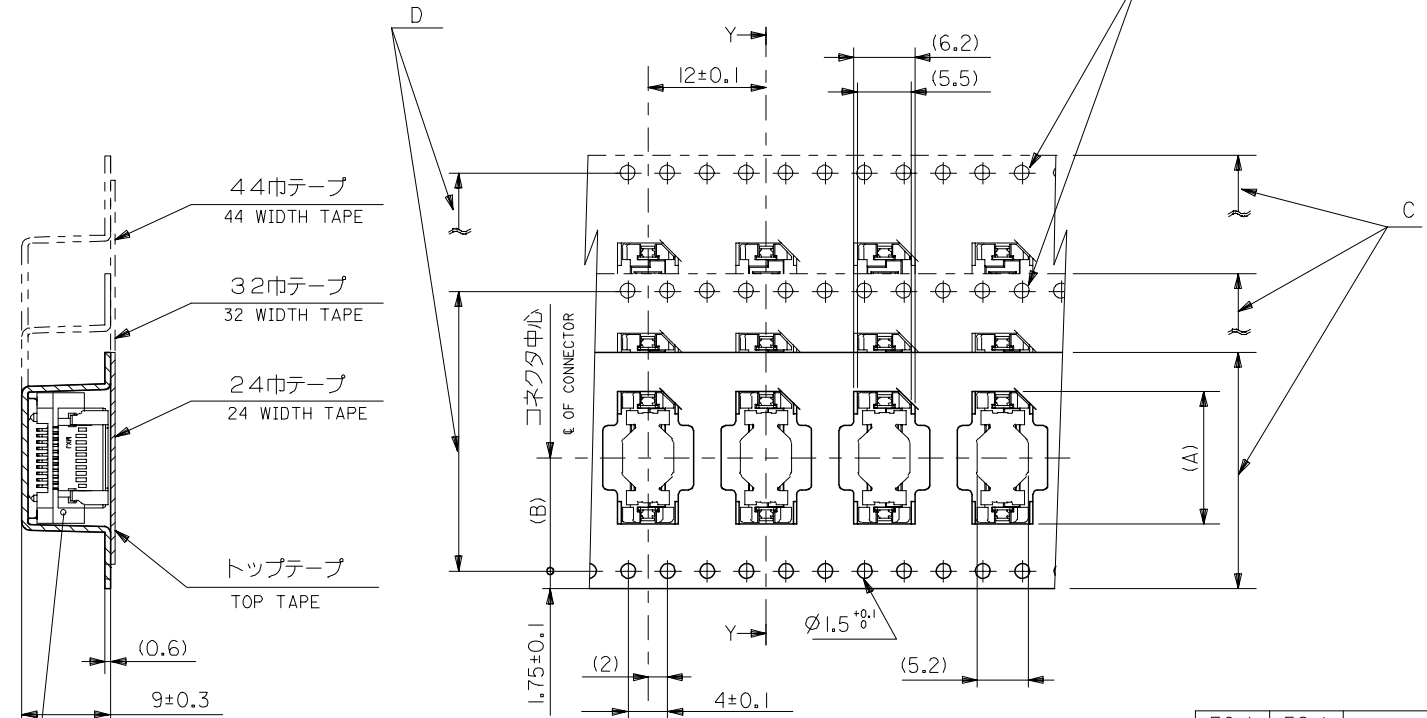


- 材料
MATERIAL
キャリアテープ : ポリプロピレン (PP)
CARRIER TAPE : POLYPROPYLENE (PP)
トップテープ : PET, PE, PEF
TOP TAPE : PET, PE, PEF
リール : 紙
REEL : CARD BOARD
- 本製品は53647-***4の鉛フリー品である。
THIS PRODUCT IS LEAD FREE OF 53647-***4.

MODEL NO. 53647-***9

| | | | | | | | | |
|--|---------------------------------------|---------------------------|----------------------------|---|--|------------------------|------------------------|--|
| REVISED EC NO: J2006-1852 DRWN: NABEI 2005/12/02 CHKD: TOYODA 2005/12/05 APPR: NUKITA 2005/12/14 | GENERAL TOLERANCES (UNLESS SPECIFIED) | | DIMENSION STYLE MM ONLY | | SCALE --- | DESIGN UNITS METRIC | THIRD ANGLE PROJECTION | |
| | 10 UNDER | ±--- | DRAWN BY Y. WADA | DATE '04/03/01 | TITLE 53647-***9 TAPING PACKAGE -LEAD FREE- | | | |
| | 10 OVER 30 UNDER | ±--- | CHECKED BY M. SASAO | DATE '04/03/01 | MOLEX INCORPORATED | | | |
| | 30 OVER | ±--- | APPROVED BY M. SASAO | DATE '04/03/01 | | | | |
| ANGULAR | ±--- ° | MATERIAL NO. SEE CHART | | DOCUMENT NO. SD-53647-003 | | SHEET NO. 1 OF 3 | | |
| DRAFT WHERE APPLICABLE MUST REMAIN WITHIN DIMENSIONS | | SIZE A3 | | THIS DRAWING CONTAINS INFORMATION THAT IS PROPRIETARY TO MOLEX INCORPORATED AND SHOULD NOT BE USED WITHOUT WRITTEN PERMISSION | | | | |

引き出し方向
PULL OUT DIRECTION



53647-***9
CONNECTOR

断面 Y-Y
SECTION Y-Y

累積ピッチ : 40±0.2
ACCUMULATIVE
PITCH : 40±0.2

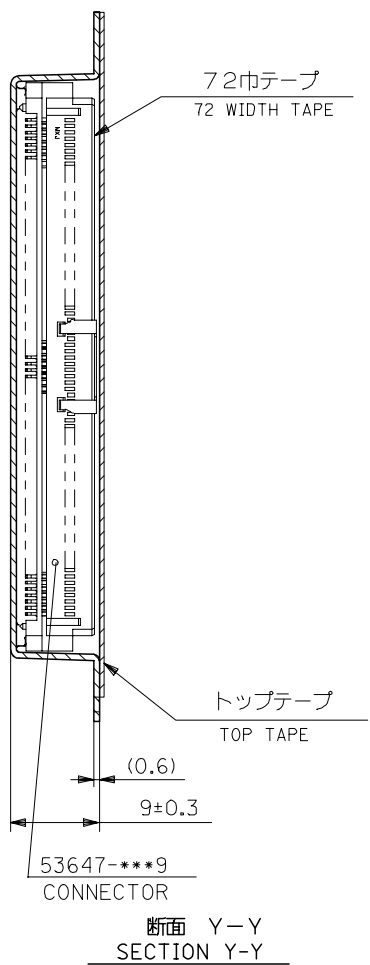
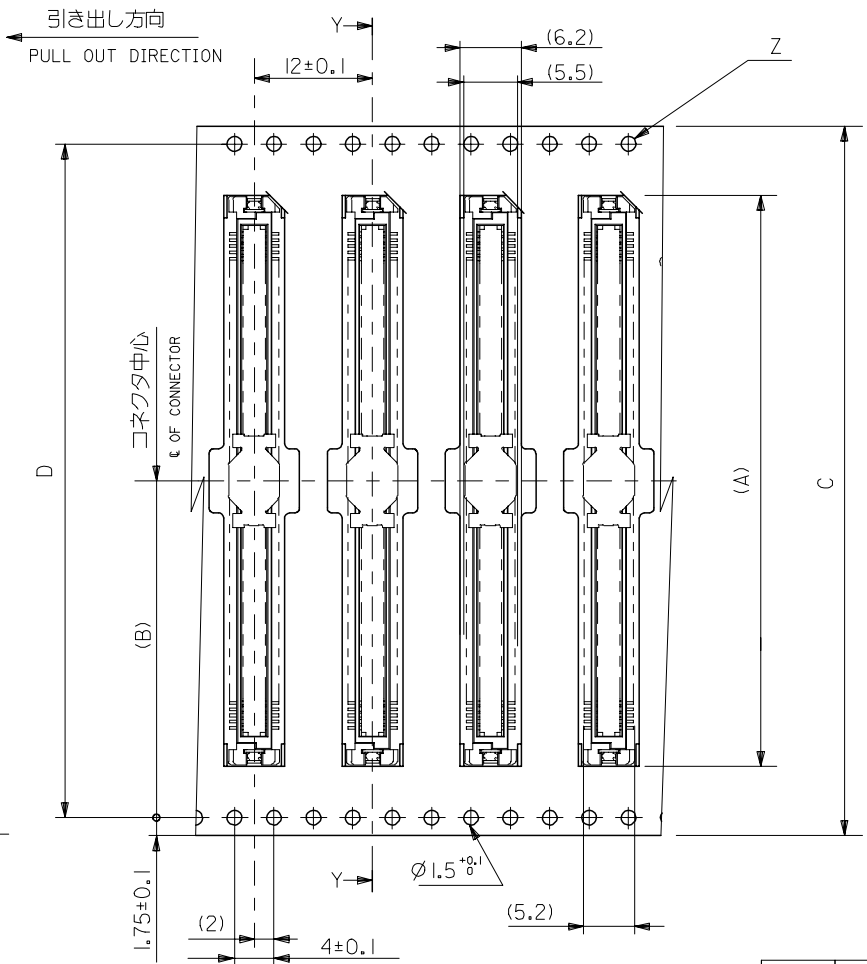
| | | | | | | |
|------|------|--------------------|--------------------------------|---------|--------------|--------------------|
| 56.4 | 52.4 | 56 ^{+0.3} | 26.2 | 38.9 | 53647-1074 | 100 |
| 44.4 | 40.4 | 44 ^{+0.3} | 20.2 | 32.6 | ↑ -0874 | 80 |
| 44.4 | 40.4 | 44 ^{+0.3} | 20.2 | 26.2 | -0674 | 60 |
| 32.4 | 28.4 | 32 ^{+0.3} | 14.2 | 19.9 | ↓ -0474 | 40 |
| 24.4 | — | 24 ^{+0.3} | 11.5 | 16.7 | -0374 | 30 |
| E | D | C | キャリアテープ幅 CARRIER TAPE WIDTH | (B) (A) | MATERIAL NO. | 極数 NO. OF CXTS. |
| | | | | | MODEL NO. | 53647-***9 |

| | | | | | | | |
|---|---------------------------------------|------------|----------------------------|--|--|------------------------|------------------------|
| REVISED EC NO: J2006-1852 DRWN: NABEI 2005/12/02 CHKD: KTOYODA 2005/12/05 APPR: NUKITA 2005/12/14 | GENERAL TOLERANCES (UNLESS SPECIFIED) | | DIMENSION STYLE MM ONLY | | SCALE --- | DESIGN UNITS METRIC | THIRD ANGLE PROJECTION |
| | 10 UNDER | ± --- | DRAWN BY Y. WADA | DATE '04/03/01 | TITLE 53647-***9 TAPING PACKAGE -LEAD FREE- | | |
| | 10 OVER 30 UNDER | ± --- | CHECKED BY M. SASAO | DATE '04/03/01 | MOLEX INCORPORATED | | |
| | 30 OVER | ± --- | APPROVED BY M. SASAO | DATE '04/03/01 | DOCUMENT NO. SD-53647-003 | | |
| | ANGULAR | ± --- ° | MATERIAL NO. | | SHEET NO. 2 OF 3 | | |
| DRAFT WHERE APPLICABLE MUST REMAIN WITHIN DIMENSIONS | | SIZE A3 | | THIS DRAWING CONTAINS INFORMATION THAT IS PROPRIETARY TO MOLEX INCORPORATED AND SHOULD NOT BE USED WITHOUT WRITTEN PERMISSION | | | |

10 9 8 7 6 5 4 3 2 1

F
E
D
C
B
A

F
E
D
C
B
A



断面 Y-Y
SECTION Y-Y

累積ピッチ : 40±0.2
ACCUMULATIVE PITCH : 40±0.2

| | | | | | | |
|------|------|--------------------------------|------|------|--------------|-----------------|
| 72.4 | 68.4 | 72 ±0.3 | 34.2 | 51.6 | 53647-1474 | 140 |
| E | D | C | (B) | (A) | MATERIAL NO. | 極致 NO. OF CKTS. |
| | | キャリアテープ幅 CARRIER TAPE WIDTH | | | MODEL NO. | 53647-***9 |

| | | | | | | | | | |
|---|--------------------|--|-------|----------------------------|-------------------|--|------------------------|------------------------------|---------------------|
| REVISED EC NO: J2006-1852 DRWN: NABEI CHKD: TOYODA APPR: NUKITA | DESCRIPTION REV | GENERAL TOLERANCES (UNLESS SPECIFIED) | | DIMENSION STYLE MM ONLY | | SCALE --- | DESIGN UNITS METRIC | THIRD ANGLE PROJECTION | |
| | | 10 UNDER | ± --- | DRAWN BY Y. WADA | DATE '04/03/01 | TITLE 53647-***9 TAPING PACKAGE -LEAD FREE- | | | |
| | | 10 OVER 30 UNDER | ± --- | CHECKED BY M. SASAO | DATE '04/03/01 | MOLEX INCORPORATED | | | |
| | | 30 OVER | ± --- | APPROVED BY M. SASAO | DATE '04/03/01 | MATERIAL NO. SEE CHART | | DOCUMENT NO. SD-53647-003 | SHEET NO. 3 OF 3 |
| ANGULAR ± --- ° | | DRAFT WHERE APPLICABLE MUST REMAIN WITHIN DIMENSIONS | | SIZE A3 | | THIS DRAWING CONTAINS INFORMATION THAT IS PROPRIETARY TO MOLEX INCORPORATED AND SHOULD NOT BE USED WITHOUT WRITTEN PERMISSION | | | |