

**PLEASE CHECK WWW.MOLEX.COM FOR LATEST PART INFORMATION**

**Part Number:** [0191540045](#)  
**Status:** **Active**  
**Description:** InsulKrimp™ Butt Splice for 6 AWG Wire

**Documents:**

[Drawing \(PDF\)](#) [RoHS Certificate of Compliance \(PDF\)](#)  
[Packaging Specification \(PDF\)](#)

**General**

Product Family	Splices
Series	<a href="#">19154</a>
Crimp Quality Equipment	Yes
Mil-Spec	N/A
Product Name	Butt, InsulKrimp™

**Physical**

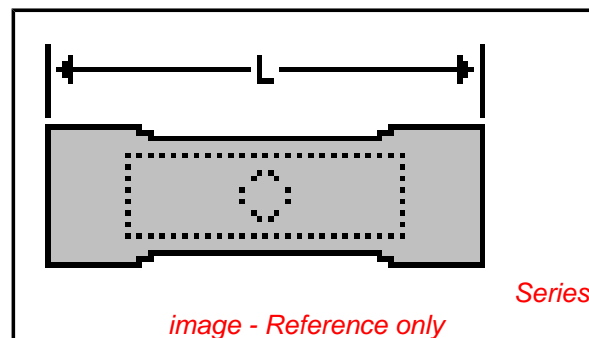
Barrel Type	Closed
Color - Resin	Natural
Insulation	PVC
Material - Resin	PVC
Packaging Type	Bag
Wire Insulation Diameter	11.20mm (.440") max.
Wire Size AWG	6

**Material Info**

Old Part Number	E-662X
-----------------	--------

**Reference - Drawing Numbers**

Sales Drawing	SD-19154-004
---------------	--------------



**EU RoHS**

**ELV and RoHS  
Compliant**

**REACH SVHC**

Not Reviewed

**Halogen-Free**

**Status**

**Not Reviewed**

**China RoHS**



**Need more information on product  
environmental compliance?**

Email [productcompliance@molex.com](mailto:productcompliance@molex.com)  
 For a multiple part number RoHS Certificate of  
 Compliance, [click here](#)

Please visit the [Contact Us](#) section for any  
 non-product compliance questions.

**Search Parts in this Series**

[19154Series](#)

**Application Tooling | FAQ**

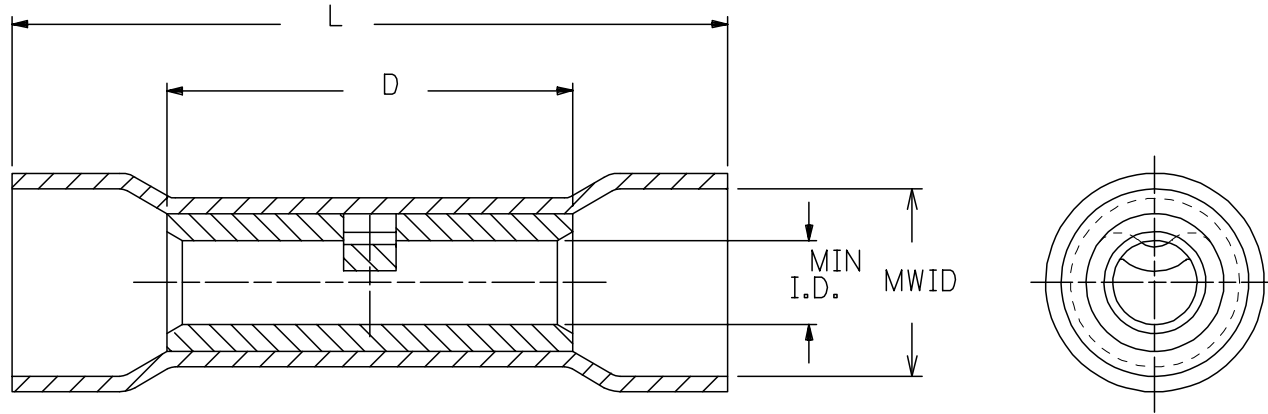
*Tooling specifications and manuals are  
 found by selecting the products below.  
 Crimp Height Specifications are then  
 contained in the Application Tooling  
 Specification document.*

**Global**

Description	Product #
Manual Putt Pump Hydraulic System, Die set required	<a href="#">0192860117</a>
Die Set (large) for the HHLS Hydraulic Crimper	<a href="#">0192890004</a>
Putt Pump Dieless Head System	<a href="#">0192860065</a>

MATERIAL NUMBER	ENGINEERING NUMBER	WIRE SIZE	INSULATION COLOR	I.D. MIN.	MWID*	"D" MAX.	"L" MAX.
191540041	D-654X	8	RED	.165	.385	.864	1.510
191540045	E-662X	6	BLUE	.230	.440	1.045	1.855
191540048	F-664X	4	YELLOW	.277	.605	1.155	2.036
191540049	G-672X	2	RED	.357	.650	1.280	2.277

\* MWID = MAXIMUM WIRE INSULATION DIAMETER



NOTES:

- CONNECTOR  
MATERIAL: COPPER  
PLATING: ELECTRO-TIN
- INSULATION  
MATERIAL: PVC  
COLOR: SEE CHART
- ALL COMPONENTS ARE ROHS COMPLIANT.

RERAWN & REVISED EC NO: ETC2007-0151 DRW: NEHLE 2006/10/17 CHKD: JMACNEIL 2006/10/18 APPR: JMACNEIL 2006/10/18	QUALITY SYMBOLS	GENERAL TOLERANCES (UNLESS SPECIFIED)		DIMENSION STYLE INCH ONLY		SCALE ---	DESIGN UNITS INCH	THIRD ANGLE PROJECTION
	▽=0	mm	INCH	DRAWN BY	DATE	TITLE		
	▽=0	4 PLACES ± ---	± ---	RCM	1995/11/28	BUTT CONNECTOR, SEAMLESS, INSULKRIMP		
		3 PLACES ± ---	± ---	CHECKED BY	DATE			
	2 PLACES ± ---	± ---	RWD	1995/11/28	MOLEX INCORPORATED			
	1 PLACE ± ---	± ---	APPROVED BY	DATE				
		ANGULAR ± ---°	RWD	1995/11/28	MATERIAL NO.	DOCUMENT NO.	SHEET NO.	
			DRAFT WHERE APPLICABLE MUST REMAIN WITHIN DIMENSIONS		SEE CHART	SD-19154-004	1 OF 1	
			THIS DRAWING CONTAINS INFORMATION THAT IS PROPRIETARY TO MOLEX INCORPORATED AND SHOULD NOT BE USED WITHOUT WRITTEN PERMISSION					