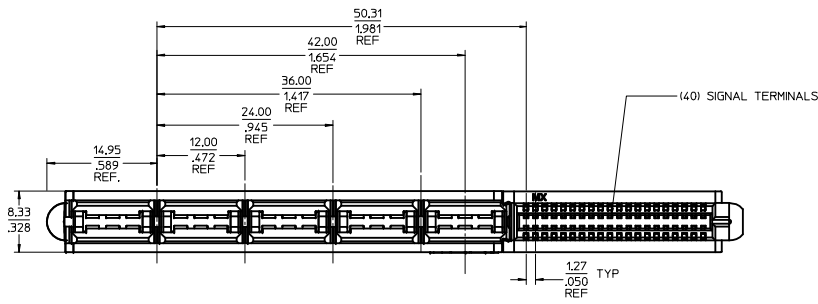
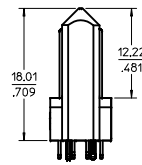
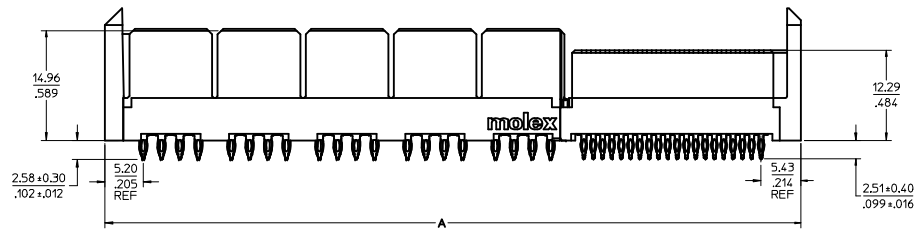


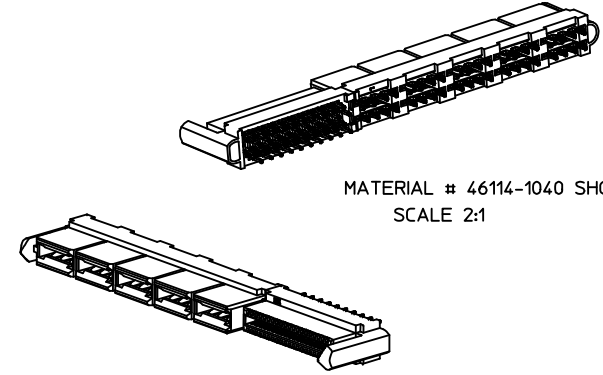
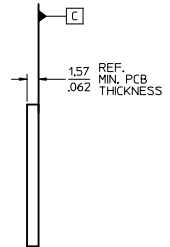
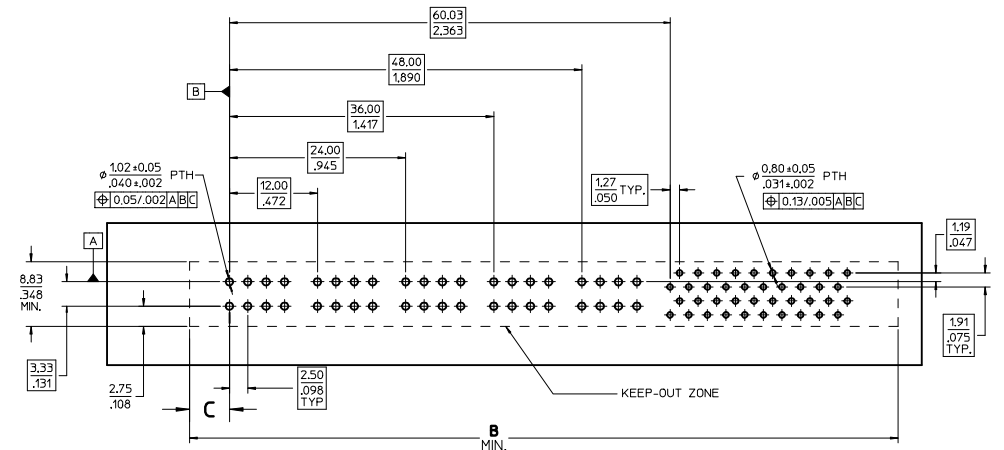
20 19 18 17 16 15 14 13 12 11 10 9 8 7 6 5 4 3 2 1



NO OF SIGNALS	MATERIAL NUMBER	COMPLIANT PIN PLATING	DIM A	DIM B	DIM C
12	46114-1012	TIN	77.01/3.032	77.51/3.052	5.45/215
	46114-1112	TIN-LEAD			
16	46114-1016	TIN	79.55/3.132	80.05/3.152	
	46114-1020	TIN			
20	46114-1120	TIN-LEAD	82.09/3.232	82.59/3.252	
	46114-1024	TIN			
24	46114-1124	TIN-LEAD	84.63/3.332	85.13/3.352	
	46114-1028	TIN			
28	46114-1128	TIN-LEAD	87.17/3.432	87.67/3.452	
	46114-1032	TIN			
32	46114-1132	TIN-LEAD	89.71/3.532	90.21/3.552	
	46114-1036	TIN			
36	46114-1136	TIN-LEAD	92.25/3.632	92.75/3.652	
	46114-1040	TIN			
40	46114-1140	TIN-LEAD	94.79/3.732	95.29/3.752	



- NOTES:
- MATERIAL: HOUSING: LCP, 94-V0, COLOR: BLACK.
POWER CONTACTS: COPPER ALLOY.
SIGNAL CONTACTS: MODIFIED TIN BRASS.
 - FINISH: SELECT GOLD - 0.75 UM/30 UM INCHES
SELECTED TIN - 2.50 UM/100 UM INCHES
OR SELECTED TIN-LEAD - 1.91 UM/75 UM INCHES
BOTH OVER NICKEL - 1.25 UM/50 UM INCHES
 - POWER TERMINALS ARE LUBRICATED IN CONTACT AREA.
 - PARTS ARE RoHS COMPLIANT.
 - MATES TO MOLEX P/N 45985-SERIES OR EDGE CARD 157/002.
 - PRODUCT SPECIFICATION PS-46114-001.
 - PACKAGING: PER PK-46114-003.

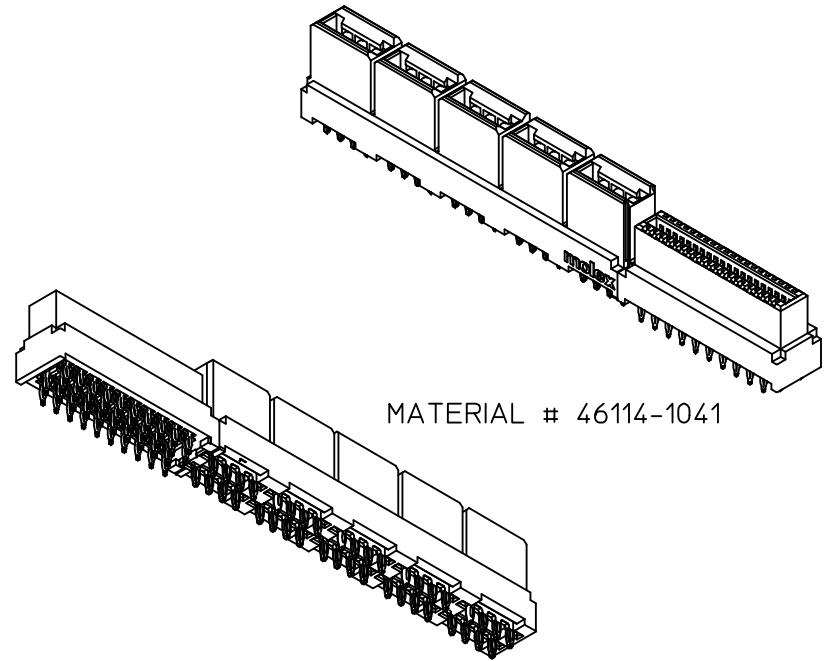
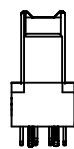
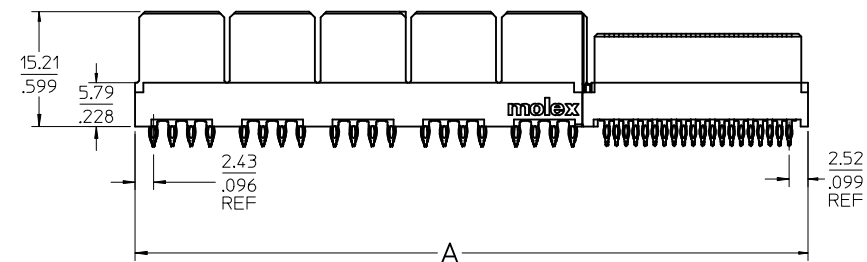
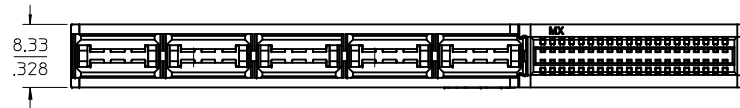


MATERIAL # 46114-1040 SHOWN
SCALE 2:1

REV	DESCRIPTION	QUALITY SYMBOLS	GENERAL TOLERANCES (UNLESS SPECIFIED)		DIMENSION STYLE	SCALE	DESIGN UNITS	THIRD ANGLE PROJECTION
			mm	INCH	MM/IN	2:1	METRIC	☉
4	PLACES	±---	±---	MM/IN	DATE	2:1	METRIC	☉
3	PLACES	±---	±.010	DATE	2011/08/04			
2	PLACES	±0.25	±---	DATE	2011/08/05			
1	PLACE	±---	±---	DATE				
			ANGULAR ±1/2°					
DRAFT WHERE APPLICABLE MUST REMAIN WITHIN DIMENSIONS			MATERIAL NO. SEE CHART		DOCUMENT NO. SD-46114-100		SHEET NO. 1 OF 3	
THIS DRAWING CONTAINS INFORMATION THAT IS PROPRIETARY TO MOLEX INCORPORATED AND SHOULD NOT BE USED WITHOUT WRITTEN PERMISSION								

19 18 17 16 15 14 13 12 11 10 9 8 7 6 5 4 3 2 1

NO OF SIGNALS	MATERIAL NUMBER	COMPLIANT PIN PLATING	DIM A	DIM B	DIM C
12	46114-1013	TIN	71.34/2.809	71.84/2.828	2.69/106
	46114-1113	TIN-LEAD			
16	46114-1017	TIN	73.88/2.909	74.38/2.928	
	46114-1117	TIN-LEAD			
20	46114-1021	TIN	76.42/3.009	76.92/3.028	
	46114-1121	TIN-LEAD			
24	46114-1025	TIN	78.96/3.109	79.46/3.128	
	46114-1125	TIN-LEAD			
28	46114-1029	TIN	81.50/3.209	82.00/3.228	
	46114-1129	TIN-LEAD			
32	46114-1033	TIN	84.04/3.309	84.54/3.328	
	46114-1133	TIN-LEAD			
36	46114-1037	TIN	86.58/3.409	87.08/3.428	
	46114-1137	TIN-LEAD			
40	46114-1041	TIN	89.12/3.509	89.62/3.528	
	46114-1141	TIN-LEAD			

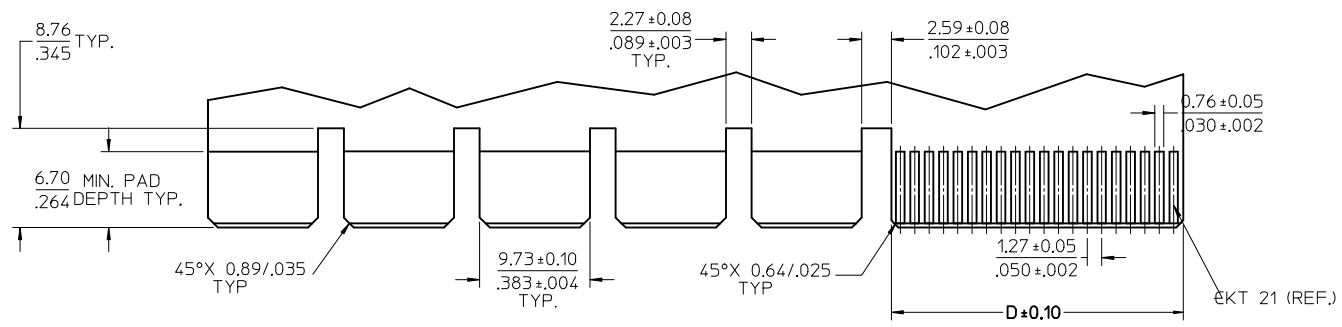
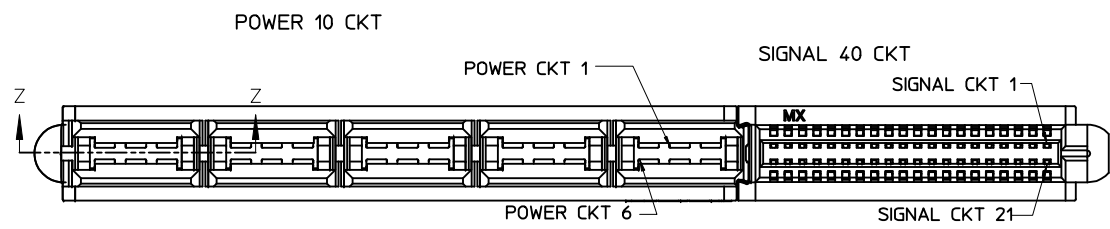


MATERIAL # 46114-1041

SEE SHT 1 EC NO: UCP2013-0722 DRAWN: JUILLES 2012/08/21 CHKD: MKARADIMAS 2012/01/21 APPR: APATEL 2012/08/27	QUALITY SYMBOLS	GENERAL TOLERANCES (UNLESS SPECIFIED)	DIMENSION STYLE MM/IN	SCALE 1:1	DESIGN UNITS METRIC	THIRD ANGLE PROJECTION	
	DESCRIPTION REV	4 PLACES ± --- ± --- 3 PLACES ± --- ± .010 2 PLACES ± 0.25 ± --- 1 PLACE ± --- ± ---	DRAWN BY: MKARADIMAS DATE: 2011/08/04 CHECKED BY: APATEL DATE: 2011/08/05 APPROVED BY: DATE:	TITLE LPH VERTICAL RECEPTACLE			
		ANGULAR ± 1/2°			MOLEX INCORPORATED		
		DRAFT WHERE APPLICABLE MUST REMAIN WITHIN DIMENSIONS			MATERIAL NO. SEE CHART	DOCUMENT NO. SD-46114-100	SHEET NO. 2 OF 3

SIZE C THIS DRAWING CONTAINS INFORMATION THAT IS PROPRIETARY TO MOLEX INCORPORATED AND SHOULD NOT BE USED WITHOUT WRITTEN PERMISSION

NO OF SIGNAL	DIM. D
12	8.00/.315
16	10.54/.415
20	13.08/.515
24	15.62/.615
28	18.16/.715
32	20.70/.817
36	23.24/.915
40	25.78/1.015

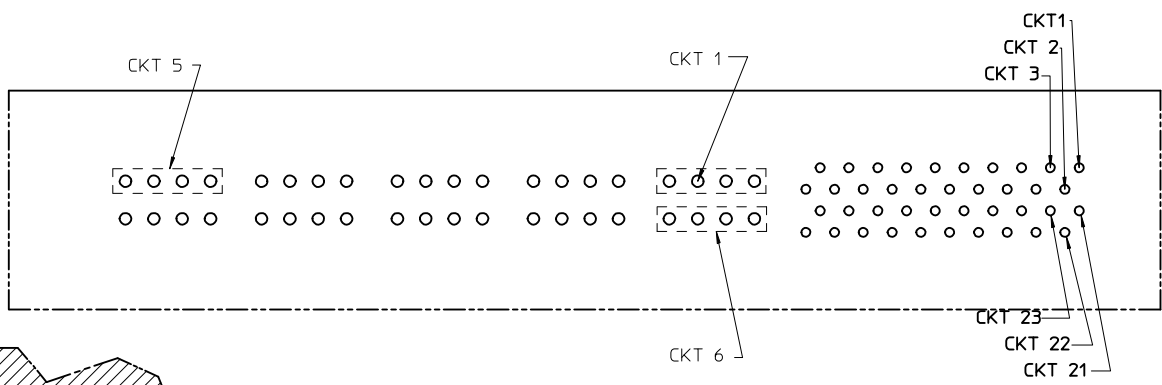


RECOMMENDED EDGE CARD LAYOUT

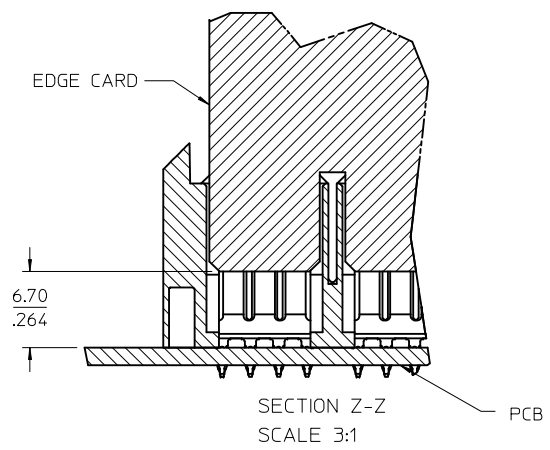
EDGE CARD THICKNESS:
1.57/.062

PLATING:
GOLD 30 μ INCHES MIN.
OVER 150 μ INCHES NICKEL.

45°X 0.38/.015 TYP



PCB LAYOUT
COMPONENT SIDE
SEE SHT 1 FOR
DIMENSIONS



SEE SHT 1 EC NO: UCP2013-0722 DRAWN: JUILLES 2012/08/21 CHKD: MKARADIMAS 2012/10/21 APPR: APATEL 2012/08/27	QUALITY SYMBOLS	GENERAL TOLERANCES (UNLESS SPECIFIED)	DIMENSION STYLE MM/IN	SCALE 3:1	DESIGN UNITS METRIC	THIRD ANGLE PROJECTION	
	REV	DESCRIPTION	4 PLACES ± --- ± --- 3 PLACES ± --- ± .010 2 PLACES ± 0.25 ± --- 1 PLACE ± --- ± --- ANGULAR ± 1/2°	DRAWN BY MKARADIMAS	DATE 2011/08/04	TITLE LPH VERTICAL RECEPTACLE	
	DRAFT WHERE APPLICABLE MUST REMAIN WITHIN DIMENSIONS	MATERIAL NO. SEE CHART	CHECKED BY APATEL	DATE 2011/08/05	APPROVED BY	DATE	MOLEX INCORPORATED
	SIZE	THIS DRAWING CONTAINS INFORMATION THAT IS PROPRIETARY TO MOLEX INCORPORATED AND SHOULD NOT BE USED WITHOUT WRITTEN PERMISSION	DOCUMENT NO. SD-46114-100	SHEET NO. 3 OF 3			