

**PLEASE CHECK WWW.MOLEX.COM FOR LATEST PART INFORMATION**

**Part Number:** [0353410210](#)  
**Status:** **Active**  
**Description:** STS Bulb Socket Assembly

**Documents:**

[3D Model](#) [Product Specification PS-35340-001 \(PDF\)](#)  
[Drawing \(PDF\)](#) [RoHS Certificate of Compliance \(PDF\)](#)

**General**

Product Family	Other Sockets
Series	35341
Component Type	Socket
Product Name	Bulb Socket

**Physical**

Circuits (Loaded)	2
Circuits (maximum)	2
Color - Resin	Gray
Durability (mating cycles max)	50
Entry Angle	Vertical
Keying to Mating Part	None
Material - Metal	High Performance Alloy (HPA)
Material - Resin	Nylon
PCB Locator	No
PCB Retention	N/A
Packaging Type	Bag
Pitch - Mating Interface (in)	0.252 In
Pitch - Mating Interface (mm)	6.40 mm
Pitch - Term. Interface (in)	0.252 In
Pitch - Term. Interface (mm)	6.40 mm
Temperature Range - Operating	-40°C to +105°C
Termination Interface: Style	Through Hole

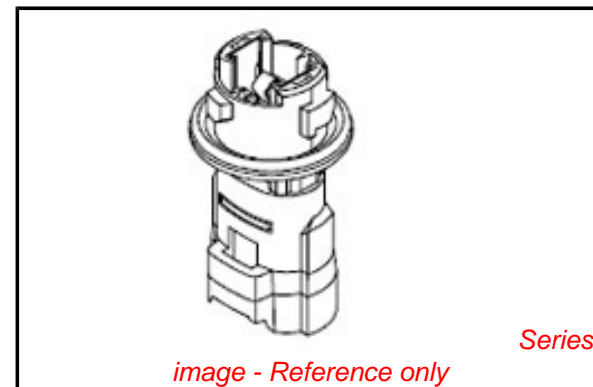
**Electrical**

Current - Maximum per Contact	5A
Voltage - Maximum	300V AC/DC

**Material Info**

**Reference - Drawing Numbers**

Product Specification	PS-35340-001
Sales Drawing	SD-35341-001, SD-35341-0210



**EU RoHS**

**ELV and RoHS  
Compliant**  
**REACH SVHC**  
 Not Reviewed  
**Halogen-Free  
Status**

**China RoHS**



**Need more information on product  
environmental compliance?**

Email [productcompliance@molex.com](mailto:productcompliance@molex.com)  
 For a multiple part number RoHS Certificate of  
 Compliance, [click here](#)

Please visit the [Contact Us](#) section for any  
 non-product compliance questions.

**Search Parts in this Series**

35341Series

**Mates With**

35512 6.40mm (.252") Pitch Housing for  
 Wedge Bulb Socket

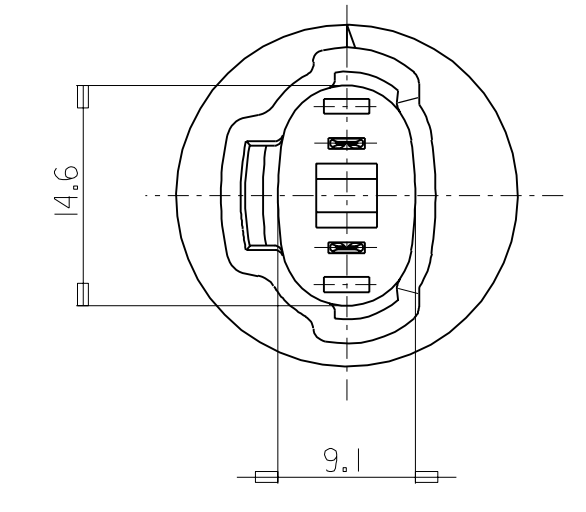
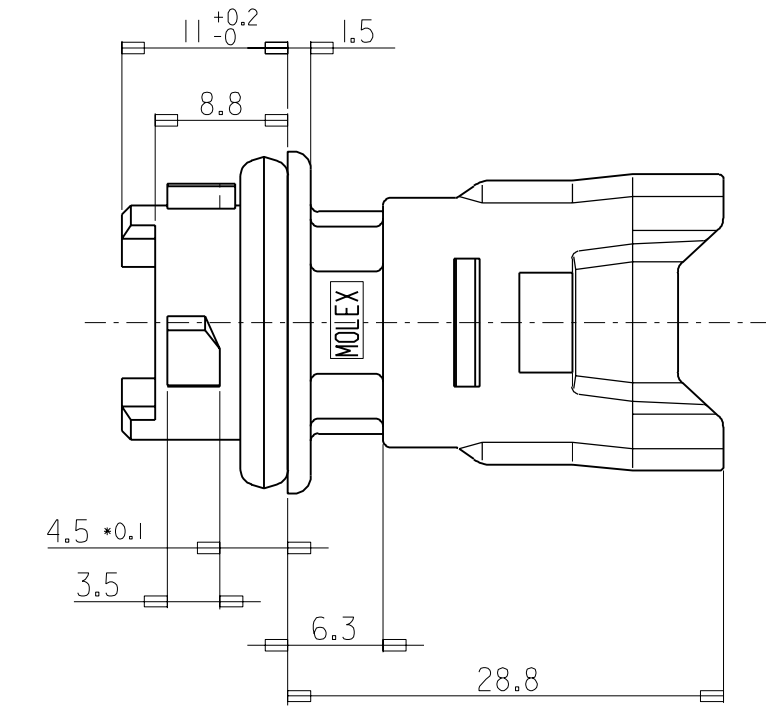
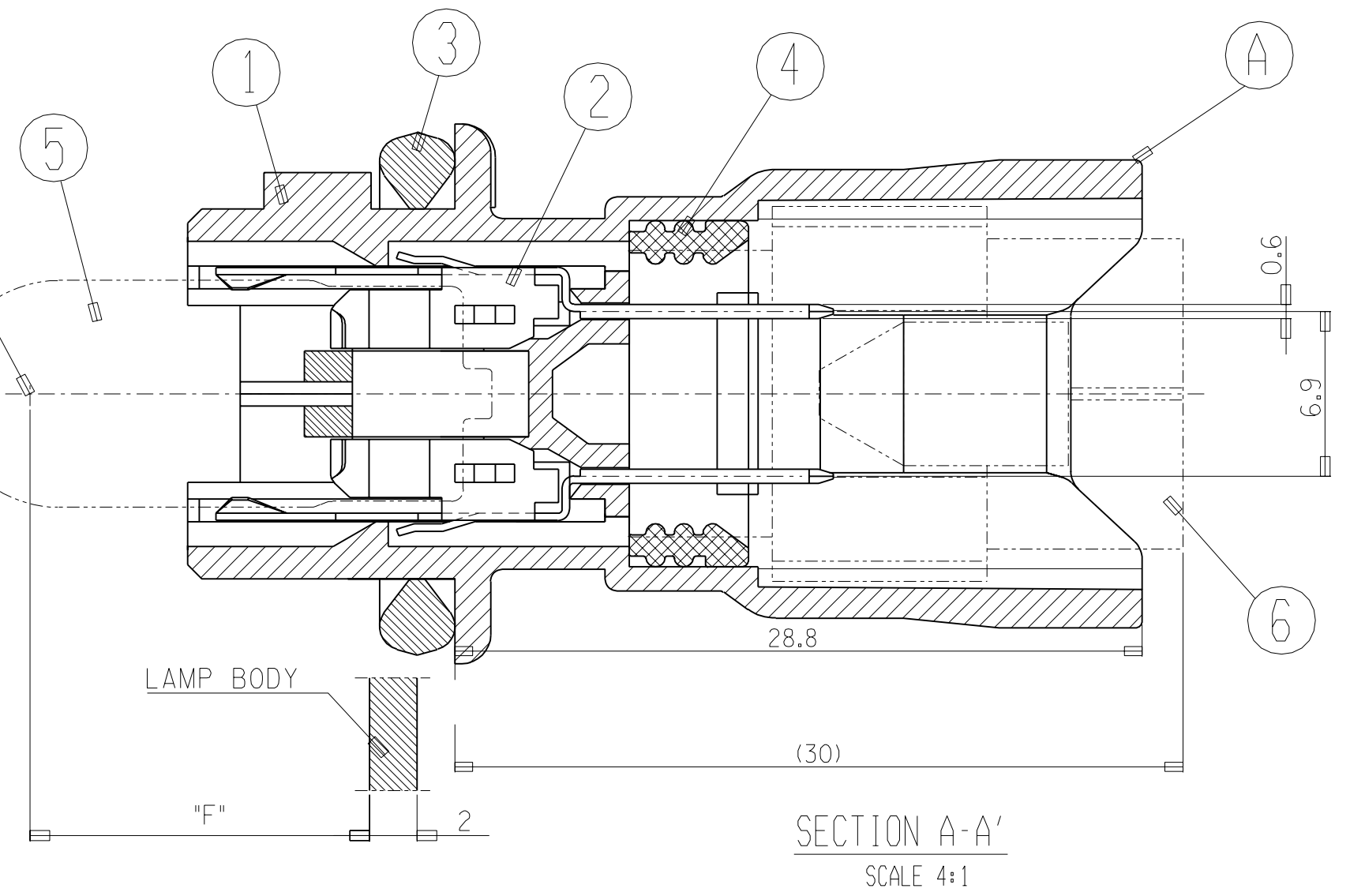
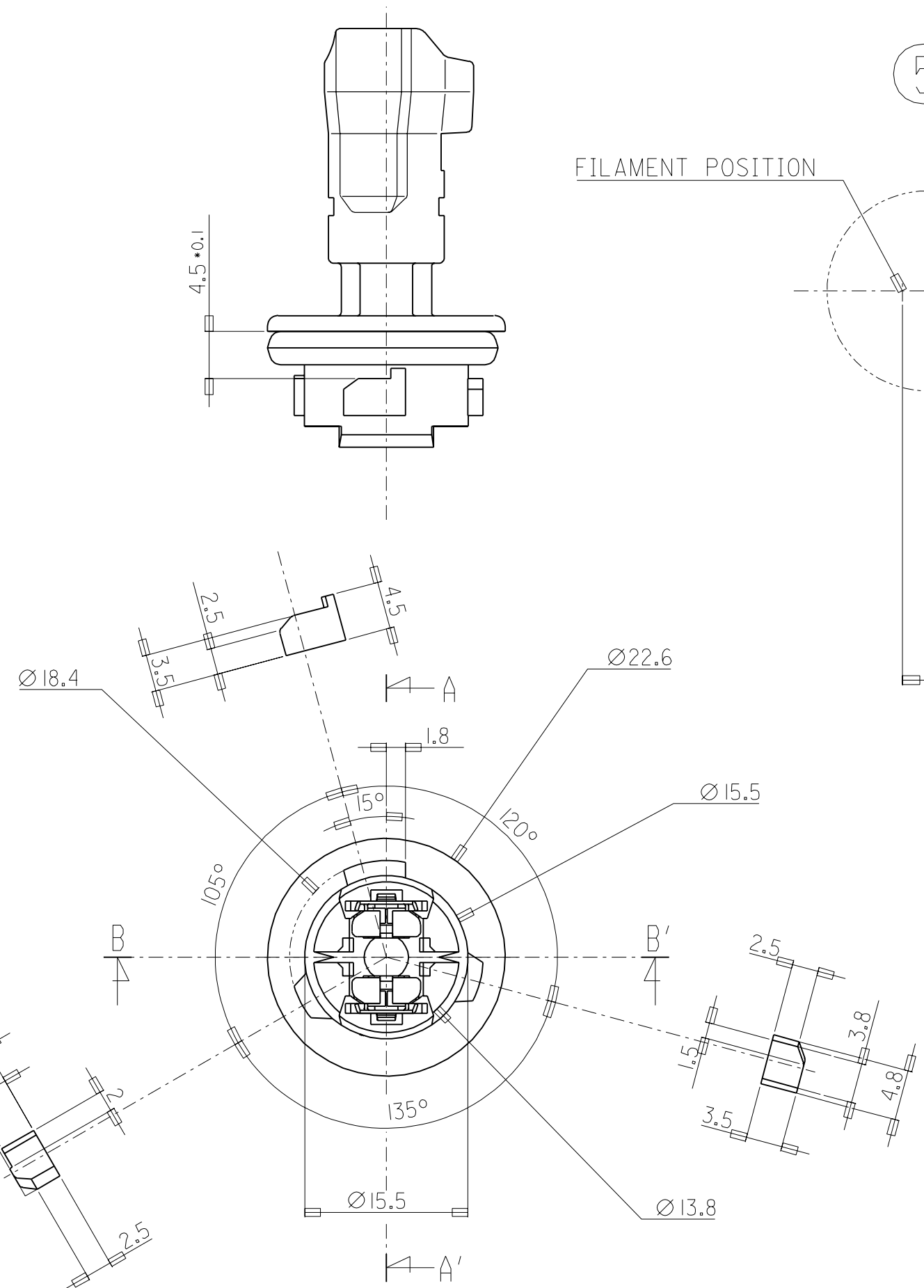
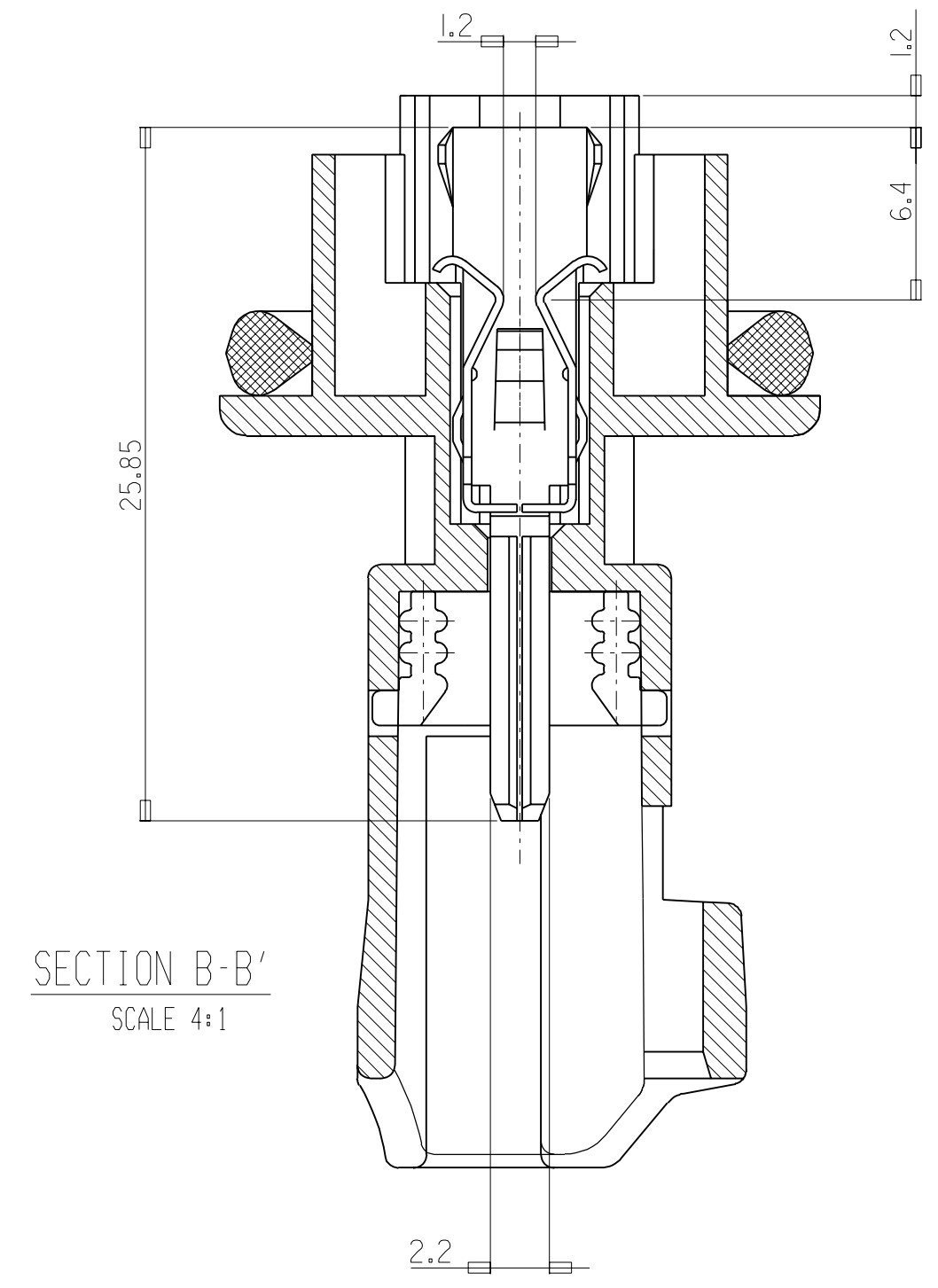


DO NOT SCALE DRAWING DIMENSION IN METRIC

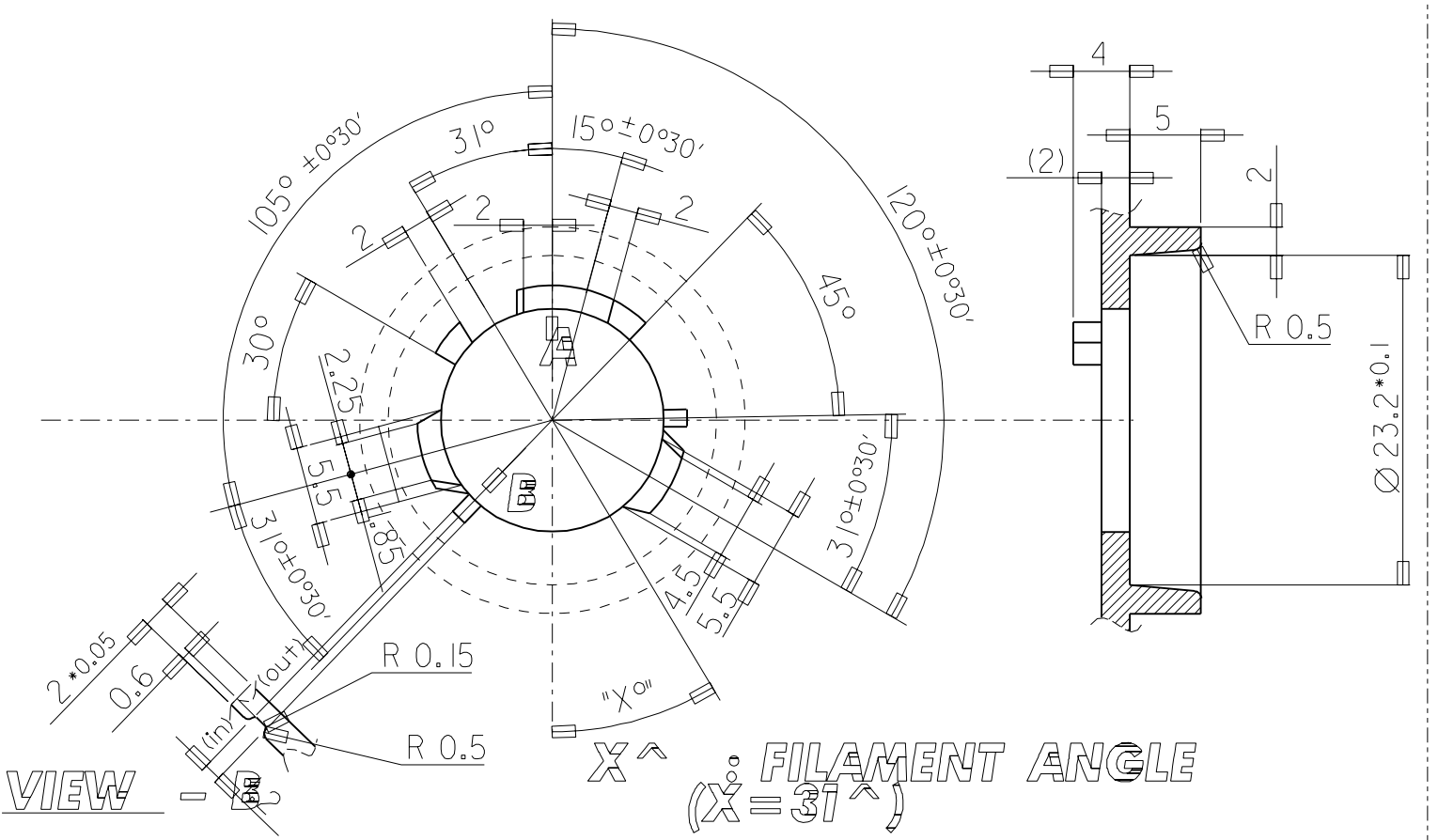
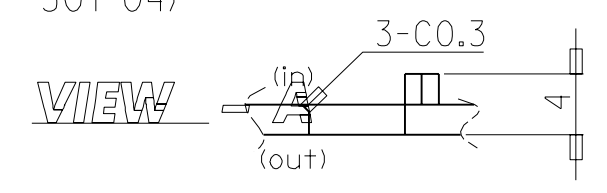
PROJECT NO. SD-35341-001

SIMILAR ITEM

DWG. NO. SD-35341-001



**SOCKET PULG HOLE**  
(SES-D-102 301-04)



**NOTES**

- MATERIAL : SOCKET PLUG POLYAMIDE, UL94V-0  
TERMINAL : COPPER-ALLOY, 0.3+  
OTHERS : SEE TABLE
- FINISH : SEE TABLE
- PRODUCT SPECIFICATION : PS 35340-001
- "F" DIMENSION  
(1) ECE SPECIFICATION : 11.7mm  
(2) KS : 13.3mm
- MATES WITH 35512
- GENERAL TOLERANCE

DIMENSION	TOLERANCE
LESS 4	±0.2
4 TO 8	±0.25
8 TO 16	±0.3
16 TO 32	±0.4
32 TO 63	±0.5
63 TO 126	±0.6
DRAFT ANGLE	LESS 1° 30'

FINISH	Q'TY	MATERIAL	DESCRIPTION	MATERIAL NO	ENG NO	NO
GRAY	1	POLYAMIDE	SOCKET PLUG	355120200	35512-0200	6
12V 5W	1	-	BULB	-	-	5
RED	1	SILICON	INNER SEAL	359030011	35903-0011	4
DARK GRAY	1	RUBBER	O-RING	359030013	35903-0013	3
-	2	CU-ALLOY	TERMINAL	350756100	35075-6100	2
GRAY	1	POLYAMIDE	STS HEADER	353410290	35341-0290	1
-	-	-	SOCKET ASSY	353410210	35341-0210	A

REVISED EC NO. KOR2001-0033 DRWN: YSOOK (m010412) CHK: J.K.OH APPR: C.W.LEE	QUALITY SYMBOLS MAJOR = CRITICAL =	GENERAL TOLERANCES: (UNLESS SPECIFIED)		SCALE 2:1	DESIGN UNITS <input checked="" type="checkbox"/> mm <input type="checkbox"/> INCH	DIMENSIONS: <input type="checkbox"/> mm <input type="checkbox"/> INCH <input checked="" type="checkbox"/> mm ONLY		SHT	REV
		4 PLACES ±0.1	±0.1	3 PLACES ±0.1	±0.1	2 PLACES ±0.1	±0.1	1 PLACE ±0.1	±0.1
C	DESCRIPTION	DRAWN BY & DATE Y.Soo.Kim 960105		TITLE: STS BULB SOCKET ASSY		MATERIAL NO. DRAWING NO. SHEET NO. SEE TABLE SD-35341-001 1 of 1			
		CHECKED BY & DATE J.K.OH		APPROVED BY & DATE C.W.LEE		MATERIAL NO. DRAWING NO. SHEET NO. SEE TABLE SD-35341-001 1 of 1			
DRAFT WHERE APPLICABLE MUST REMAIN WITHIN DIMENSIONS		THIS DRAWING CONTAINS INFORMATION THAT IS PROPRIETARY TO MOLEX INCORPORATED AND SHOULD NOT BE USED WITHOUT WRITTEN PERMISSION.							