

Power Schottky Rectifier - 20Amp 100Volt

Features

- Plastic package has Underwriters Laboratory Flammability Classifications 94V-0
- High Junction Temperature Capability
- Low forward voltage, high current capability
- High surge capacity
- Low power loss, high efficiency
- ESD performance human body mode > 8 KV

Application

- AC/DC Switching Adaptor and other Switching Power Supply
- TFT-LCD and DVD Power Supply

Absolute maximum ratings

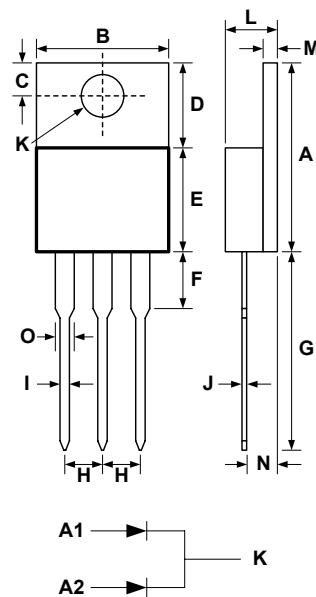
Symbol	Ratings	Unit	Conditions
$I_F(AV)$	20	A	Average Forward Current
V_{RRM}	100	V	Repetitive Peak Reverse Voltage
I_{FSM}	150	A	Peak Forward Surge Current
$V_F(max)$	0.59	V	Forward Voltage Drop
T_j	-50 to +175	°C	Operating Temperature
T_{stg}	-50 to +150	°C	Storage Temperature

Electrical characteristics

Parameters	Symbol	Ratings	Conditions
Maximum Instantaneous Forward Voltage	V_F	0.75V	$T_c = 25^\circ C$
Forward Voltage		0.59V	$T_c = 125^\circ C$
Maximum Reverse Leakage Current	I_R	0.01mA	$T_c = 25^\circ C$
Current		10mA	$T_c = 125^\circ C$
Maximum Voltage Rate of Change	dv/dt	10,000 V/ μs	Rated VR
Typical Thermal Resistance, Junction to Case	$R_{\theta(j-c)}$	2.2 °C/W	Per diode

Note: Pulse Test : 380 μs pulse width, 2% duty cycle

T0-220AB



DIM	DIMENSIONS				NOTE
	INCHES		MM		
	MIN	MAX	MIN	MAX	
A	.579	.606	14.70	15.40	
B	.392	.411	9.95	10.45	
C	.104	.116	2.65	2.95	
D	.248	.272	6.30	6.90	
E	.325	.350	8.25	8.90	
F	.126	.157	3.20	4.00	
G	.492	.551	12.50	14.00	
H	.096	.108	2.45	2.75	
I	.028	.039	0.70	1.00	
J	.010	.022	0.25	0.55	
K	.146	.157	3.70	4.00	
L	.167	.187	4.25	4.75	
M	.045	.057	1.15	1.45	
N	.089	.114	2.25	2.90	
O	.047	.055	1.20	1.40	

August 2008 / Rev.6.1

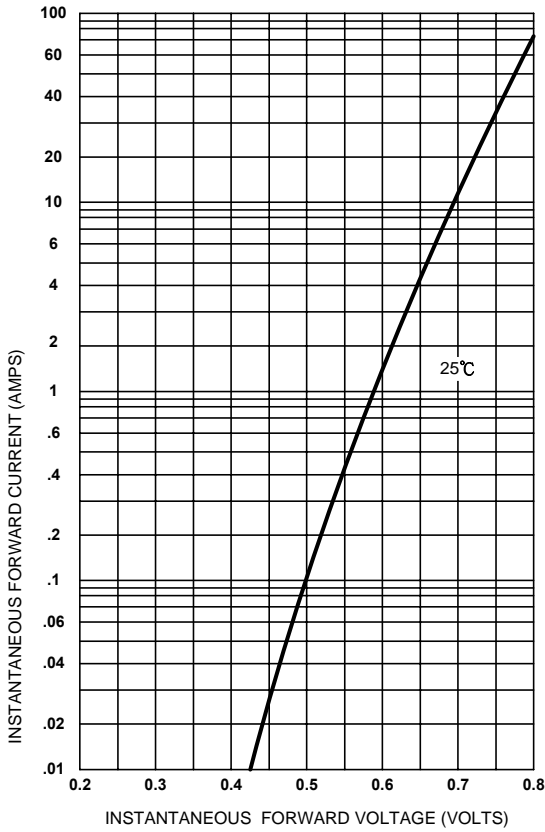


Figure 1. Typical Forward Characteristics

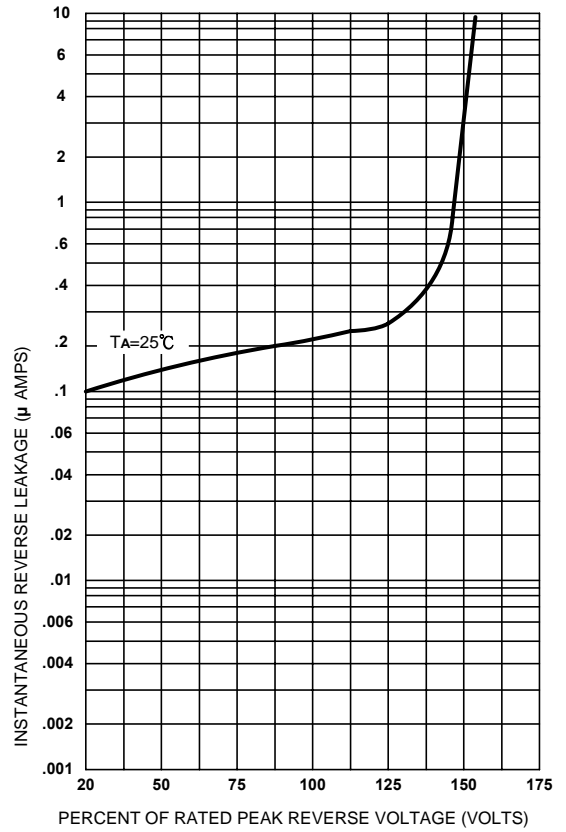


Figure 2. Typical Reverse Characteristics

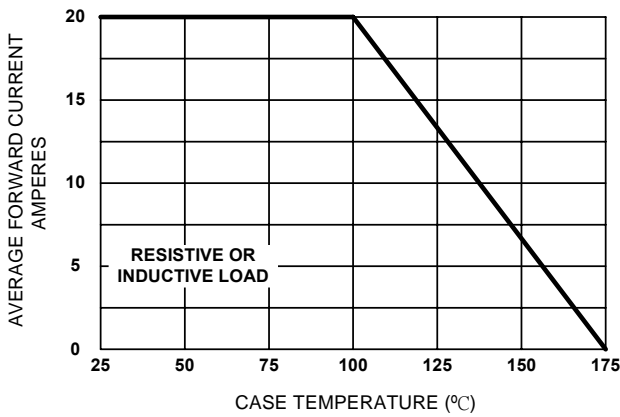


Figure 3. Forward Current Derating Curve

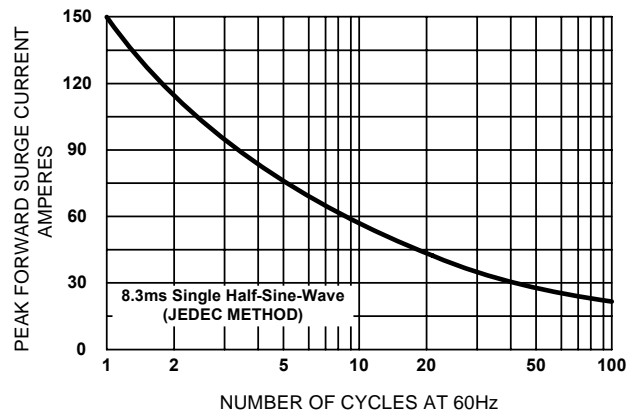


Figure 4. Maximum Non-repetitive Surge Current



Sirectifier Global Corp., Delaware, U.S.A.

U.S.A.: sgc@sirectsemi.com France: ss@sirectsemi.com Taiwan: se@sirectsemi.com Hong Kong: hk@sirectsemi.com
 China: st@sirectsemi.com Thailand: th@sirectsemi.com Philippines: aiac@sirectsemi.com Belize: belize@sirectsemi.com