

PLEASE CHECK WWW.MOLEX.COM FOR LATEST PART INFORMATION

Part Number: [0945504207](#)
Status: **Active**
Overview: [rast 5 connector system](#)
Description: 5.00mm (.197") Pitch, Rast 5, PA Polyamide (Nylon) 6/6, UL 94V-2, 7 Circuits, Natural, Glow Wire Compatible

Documents:

[3D Model](#) [Product Specification PS-94550-001 \(PDF\)](#)
[Drawing \(PDF\)](#) [RoHS Certificate of Compliance \(PDF\)](#)

General

Product Family Crimp Housings
 Series [94550](#)
 Overview [rast 5 connector system](#)
 Product Name RAST 5

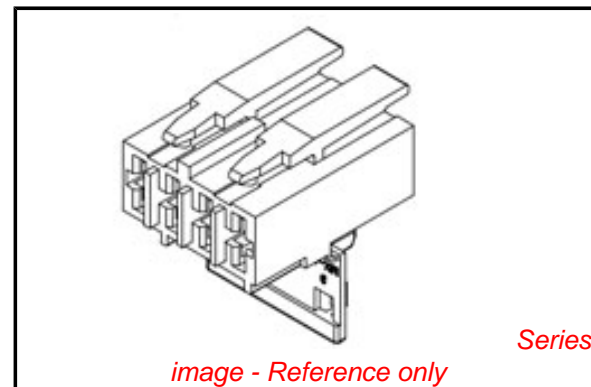
Physical

Breakaway No
 Circuits (maximum) 7
 Color - Resin Natural
 Gender Female
 Glow-Wire Compliant Yes
 Lock to Mating Part Yes
 Material - Resin Nylon
 Number of Rows 1
 Packaging Type Bag
 Panel Mount No
 Pitch - Mating Interface (in) 0.197 In
 Pitch - Mating Interface (mm) 5.00 mm
 Pitch - Term. Interface (in) 0.197 In
 Pitch - Term. Interface (mm) 5.00 mm
 Polarized to Mating Part Yes
 Ports 1
 Stackable No
 Temperature Range - Operating -40°C to +85°C

Material Info

Reference - Drawing Numbers

Product Specification PS-94550-001
 Sales Drawing SD-94550-031
 Test Summary TS-94550-002



EU RoHS

**ELV and RoHS
 Compliant**
**REACH SVHC
 Not Reviewed**
**Halogen-Free
 Status**

China RoHS



**Need more information on product
 environmental compliance?**

Email productcompliance@molex.com
 For a multiple part number RoHS Certificate of Compliance, [click here](#)

Please visit the [Contact Us](#) section for any non-product compliance questions.

Search Parts in this Series

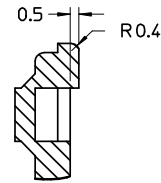
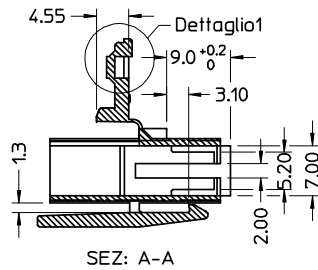
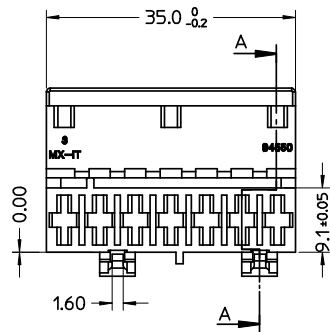
[94550Series](#)

Mates With

Rast 5 Headers, [90858](#) Vertical Header,
[90879](#) Right Angle Header

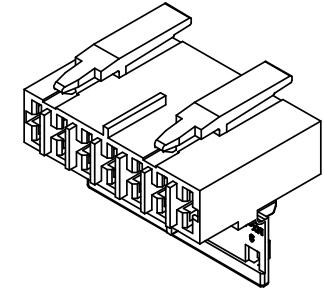
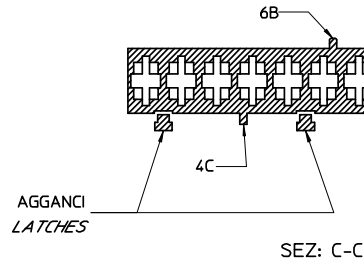
Use With

[94518](#) Crimp Terminal, [94549](#) Crimp Terminal



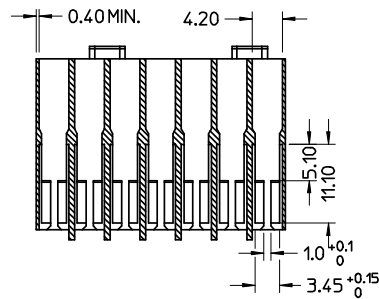
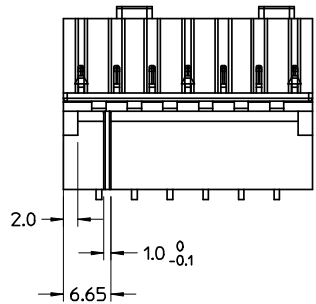
Dettaglio1
SCALA 5:1

CONFIGURAZIONE POLARIZZAZIONI
POLARIZATION CONFIGURATION

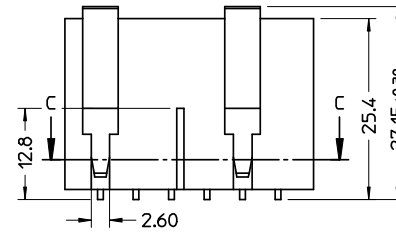
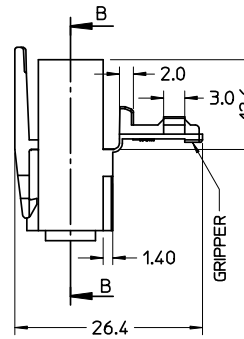


- NOTE:
- USATO CON TERMINALE 94518-0XXX E 94549-0XXX
 - SPECIFICA DI RIFERIMENTO PER IL CONNETTORE PS-94550-001
 - PER CARATTERISTICHE DI CRIMPATURA RIF. SD-94518-005 E SD-94549-001
 - FORZA DI DISACCOPIAMENTO CONNETTORE (TRAZIONANDO DAI CAVI SENZA AZIONARE L'AGGANCI): 60 N MIN.
 - SPESSORE MINIMO PARETI CONNETTORE 0.40 mm.

- NOTE:
- USED WITH TERMINALS 94518-0XXX AND 94549-0XXX
 - REFER TO PS-94550-001 FOR CONNECTOR SPECIFICATION
 - REFER TO SD-94518-005 FOR AND SD-94549-001 CRIMPING CHARACTERISTICS
 - CONNECTOR DISENGAGEMENT FORCE (PULLING BY THE WIRES, WITHOUT ACTUATING THE LATCH): 60 N MIN.
 - MINIMUM CONNECTOR WALL THICKNESS 0.40 mm.



SEZ: B-B



MATERIALE: NYLON 6.6 GWT 750°C SEC. IEC 60335-1
TEST METHOD IEC 60695-2-11 COLORE NATURALE

MATERIAL: NYLON 6.6 GWT 750°C SEC. IEC 60335-1
TEST METHOD IEC 60695-2-11 NATURAL

CONFEZIONE: Box da 900 Pz.
PACKAGING: 900 pcs in carton box

SPQ =900

Std. Descr: 'HSG W/SEC LOCK AND LATCHES 7 CKT _____ COLOR'

EC NO: Z2006-0211 DRWN:FGOTTARDI 2006/06/05 CHKD:RSANDANO 2006/06/05 APPR:GZUIN 2006/06/07	DESCRIPTION HSG 7 CKT WITH SEC. LOCK AND EXTERNAL LATCH	QUALITY SYMBOLS	GENERAL TOLERANCES (UNLESS SPECIFIED)	SCALE 2:1	DESIGN UNITS METRIC	FIRST ANGLE PROJECTION	REVISE ON CAD ONLY																		
		$\nabla = 0$ $\nabla C = 0$	<table border="1"> <thead> <tr> <th></th> <th>mm</th> <th>INCH</th> </tr> </thead> <tbody> <tr> <td>4 PLACES</td> <td>± ---</td> <td>± ---</td> </tr> <tr> <td>3 PLACES</td> <td>± ---</td> <td>± ---</td> </tr> <tr> <td>2 PLACES</td> <td>± 0.10</td> <td>± ---</td> </tr> <tr> <td>1 PLACE</td> <td>± 0.2</td> <td>± ---</td> </tr> </tbody> </table>		mm	INCH	4 PLACES	± ---	± ---	3 PLACES	± ---	± ---	2 PLACES	± 0.10	± ---	1 PLACE	± 0.2	± ---	DIMENSION STYLE MM ONLY	TITLE HSG 7 CKT WITH SEC. LOCK AND EXTERNAL LATCH					
			mm	INCH																					
		4 PLACES	± ---	± ---																					
3 PLACES	± ---	± ---																							
2 PLACES	± 0.10	± ---																							
1 PLACE	± 0.2	± ---																							
DRAFT WHERE APPLICABLE	<table border="1"> <thead> <tr> <th>DATE</th> <th>BY</th> </tr> </thead> <tbody> <tr> <td>2006/05/25</td> <td>FGOTTARD</td> </tr> <tr> <td>2006/05/25</td> <td>RSANDANO</td> </tr> <tr> <td>2006/05/25</td> <td>GZUIN</td> </tr> </tbody> </table>	DATE	BY	2006/05/25	FGOTTARD	2006/05/25	RSANDANO	2006/05/25	GZUIN	<table border="1"> <thead> <tr> <th>DATE</th> <th>BY</th> </tr> </thead> <tbody> <tr> <td>2006/05/25</td> <td>FGOTTARD</td> </tr> <tr> <td>2006/05/25</td> <td>RSANDANO</td> </tr> <tr> <td>2006/05/25</td> <td>GZUIN</td> </tr> </tbody> </table>	DATE	BY	2006/05/25	FGOTTARD	2006/05/25	RSANDANO	2006/05/25	GZUIN	<table border="1"> <thead> <tr> <th>MATERIAL NO.</th> <th>DOCUMENT NO.</th> <th>SHEET NO.</th> </tr> </thead> <tbody> <tr> <td>94550-4207</td> <td>SD-94550-031</td> <td>1 OF 1</td> </tr> </tbody> </table>	MATERIAL NO.	DOCUMENT NO.	SHEET NO.	94550-4207	SD-94550-031	1 OF 1
DATE	BY																								
2006/05/25	FGOTTARD																								
2006/05/25	RSANDANO																								
2006/05/25	GZUIN																								
DATE	BY																								
2006/05/25	FGOTTARD																								
2006/05/25	RSANDANO																								
2006/05/25	GZUIN																								
MATERIAL NO.	DOCUMENT NO.	SHEET NO.																							
94550-4207	SD-94550-031	1 OF 1																							
MUST REMAIN WITHIN DIMENSIONS THIS DRAWING CONTAINS INFORMATION THAT IS PROPRIETARY TO MOLEX INCORPORATED AND SHOULD NOT BE USED WITHOUT WRITTEN PERMISSION																									